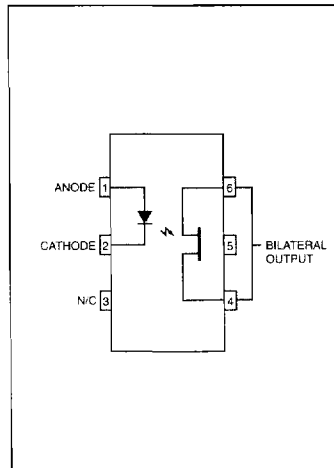
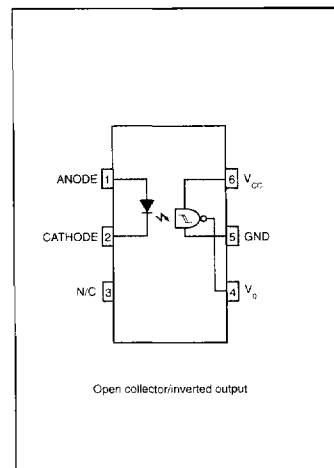


Photo SCR Output: GaAs Input									
Part Number	I <sub>FT</sub> (mA) max	V <sub>TM</sub> (V) max	V <sub>DM</sub> (V) max	I <sub>DM</sub> (μA) max	I <sub>H</sub> (mA) max	t <sub>ON</sub> /t <sub>OFF</sub> (μs) max	V <sub>ISO</sub> AC [RMS]	Pkg dwg	Agency Approvals (see pg 23)
4N39	14	1.3	200	50	1	50/-	5.3 kV	E	A, B, D, F, N, S, U
4N39.300	14	1.3	200	50	1	50/-	5.3 kV	E	A, B, D, F, N, S, U, V
4N40	14	1.3	400	150	1	50/-	5.3 kV	E	A, B, D, F, N, S, U
4N40.300	14	1.3	400	150	1	50/-	5.3 kV	E	A, B, D, F, N, S, U, V
H11C1	20	1.3	200	50	—	—	5.3 kV	E	A, B, D, F, N, S, U
H11C1.300	20	1.3	200	50	—	—	5.3 kV	E	A, B, D, F, N, S, U, V
H11C2	20	1.3	200	50	—	—	5.3 kV	E	A, B, D, F, N, S, U
H11C2.300	20	1.3	200	50	—	—	5.3 kV	E	A, B, D, F, N, S, U, V
H11C3	30	1.3	200	50	—	—	5.3 kV	E	A, B, D, F, N, S, U
H11C3.300	30	1.3	200	50	—	—	5.3 kV	E	A, B, D, F, N, S, U, V
H11C4	20	1.3	400	150	—	—	5.3 kV	E	A, B, D, F, N, S, U
H11C4.300	20	1.3	400	150	—	—	5.3 kV	E	A, B, D, F, N, S, U, V
H11C5	20	1.3	400	150	—	—	5.3 kV	E	A, B, D, F, N, S, U
H11C5.300	20	1.3	400	150	—	—	5.3 kV	E	A, B, D, F, N, S, U, V
H11C6	30	1.3	400	150	—	—	5.3 kV	E	A, B, D, F, N, S, U
H11C6.300	30	1.3	400	150	—	—	5.3 kV	E	A, B, D, F, N, S, U, V



Bilateral Analog FET Output: AlGaAs Input									
Part Number	R <sub>DS</sub> (Ω)		V <sub>BR</sub> (V) min	t <sub>ON</sub> /t <sub>OFF</sub> (μs)	Leakage Current (nA) max	Resistance Non-linearity (%)	V <sub>ISO</sub> AC[RMS]	Pkg dwg	Agency Approvals (see pg 23)
	ON max	OFF min							
H11F1	200	300 M	30	25/25	50	0.1	5.3 kV	E	A, B, D, F, N, S, U
H11F1.300	200	300 M	30	25/25	50	0.1	5.3 kV	E	A, B, D, F, N, S, U, V
H11F2	330	300 M	30	25/25	50	0.1	5.3 kV	E	A, B, D, F, N, S, U
H11F2.300	330	300 M	30	25/25	50	0.1	5.3 kV	E	A, B, D, F, N, S, U, V
H11F3	470	300 M	15	25/25	50	0.1	5.3 kV	E	A, B, D, F, N, S, U
H11F3.300	470	300 M	15	25/25	50	0.1	5.3 kV	E	A, B, D, F, N, S, U, V



Schmitt Trigger Output: GaAs Input									
Part Number	I <sub>FT</sub> (OFF) (mA) min	I <sub>FT</sub> (ON) (mA) max	V <sub>CC</sub> (V) max	t <sub>ON</sub> /t <sub>OFF</sub> (μs)	V <sub>OL</sub> (V) max	I <sub>CC</sub> (mA) max	V <sub>ISO</sub> AC[RMS]	Pkg dwg	Agency Approvals (see pg 23)
H11L1	0.3	1.6	16	—	0.4	5	5.3 kV	E	A, B, D, F, N, S, U
H11L1.300	0.3	1.6	16	—	0.4	5	5.3 kV	E	A, B, D, F, N, S, U, V
H11L2	0.3	10	16	—	0.4	5	5.3 kV	E	A, B, D, F, N, S, U
H11L2.300	0.3	10	16	—	0.4	5	5.3 kV	E	A, B, D, F, N, S, U, V
H11L3	0.3	5	16	—	0.4	5	5.3 kV	E	A, B, D, F, N, S, U
H11L3.300	0.3	5	16	—	0.4	5	5.3 kV	E	A, B, D, F, N, S, U, V