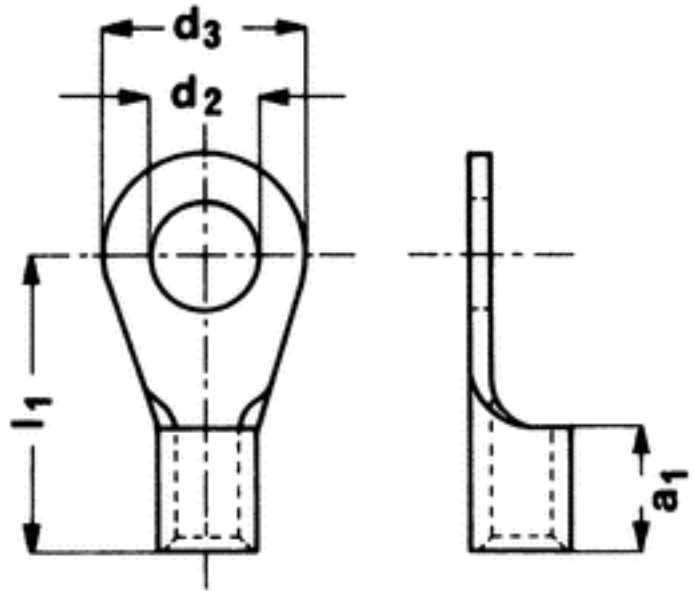




Characteristics and dimensions of terminals

Part number	03409.311.011
Specification	Cable lug ring type
Material	SE-Cu
Surface / Colour	Sn 3
Form	Single form
Single part	X
Packing unit / piece	1500
Section area (mm ²)	1.50-2.50
DIN	46234
Nominal size	8-2.5
Material thickness (mm)	0.80
Footnote	Type test according to VG 96933-13
a ₁	5.00
d ₂	8.40
d ₃	14.00
l ₁	17.00



Note: The drawing only gives an overview of the geometry of the part. The crimp area is shown as supplied in strip form. A technical drawing is available on request.

[Contents of your inquiry](#)

Packing Units (per 1500 pieces)

CW