

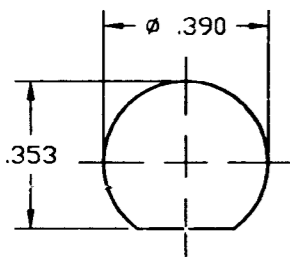
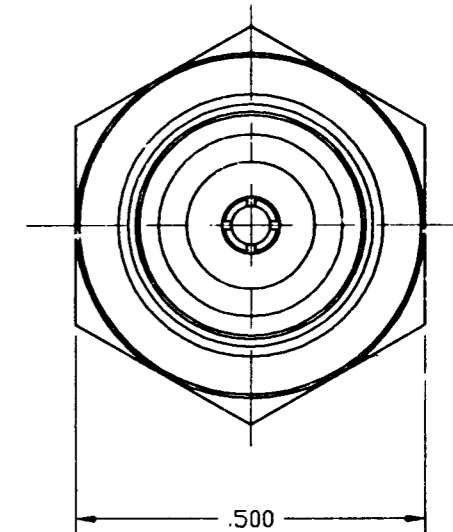
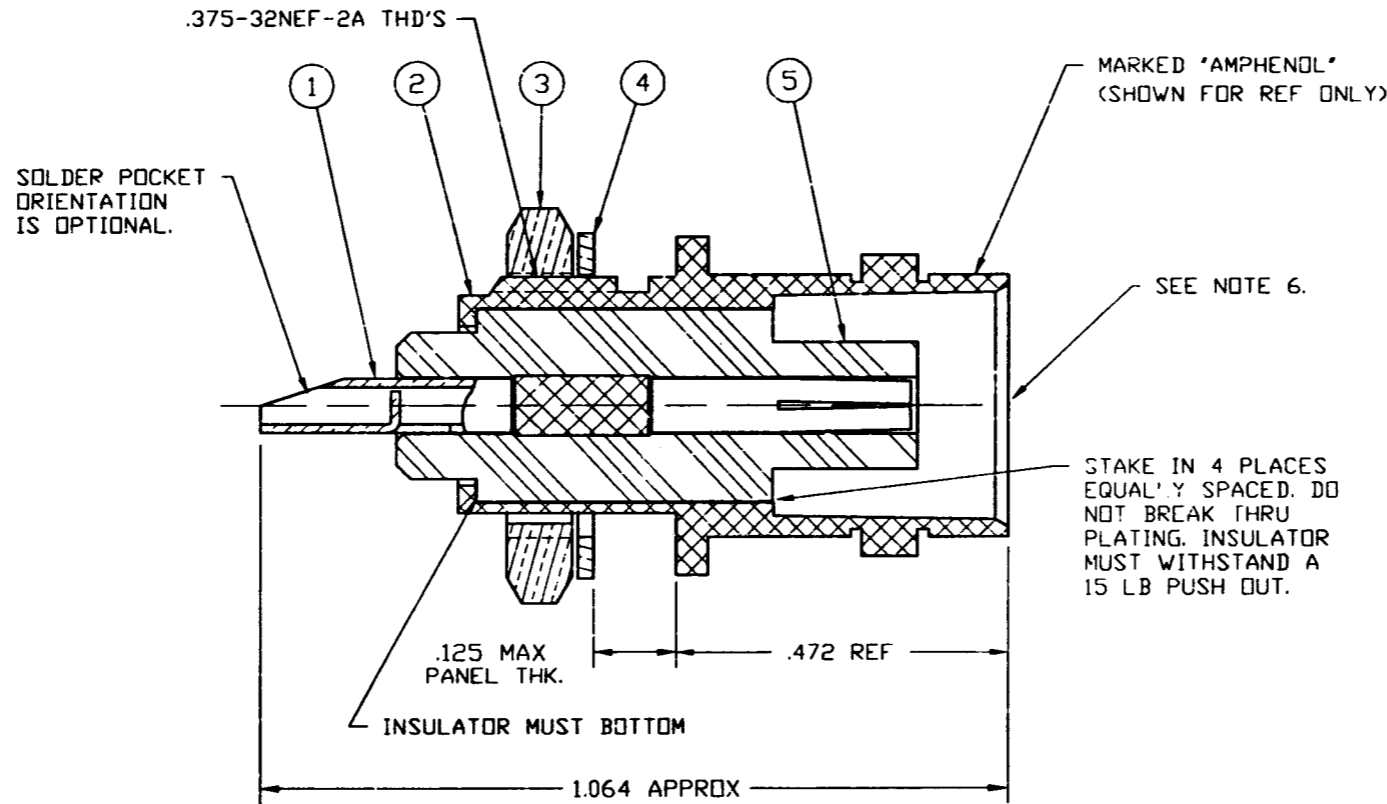
NOTES:

1. PLATING MUST CONFORM TO AMPHENOL SPEC. 349-50560. CONTACT IS GOLD PLATED, ALL OTHER METAL PARTS ARE ASTROPLATED (REF).
2. AFTER ASSEMBLY CENTER CONTACT SHALL RESIST A TORQUE OF 4 IN-OZ WITHOUT TURNING RELATIVE TO INSULATOR & SHELL.
3. CUSTOMER NOTE: WHEN SOLDERING WIRE TO CONTACT, ROSIN CORE (60% TIN, 40% LEAD) SOFT SOLDER PER QQ-S-571 IS RECOMMENDED.
4. PACKAGE IN BAG 999-299.
5. ITEMS 3, & 4, WILL BE PACKAGED LOOSE.
6. MUST CONFORM TO AMPHENOL SPEC. 349-50551, SEC. 301.
7. DO NOT SCALE THIS DRAWING.
8. UNLESS OTHERWISE SPECIFIED, ALL DIMENSIONS ARE AFTER PLATING.

31-221-RFX1

REVISIONS

DRAWING NO.	REV	DESCRIPTION	DATE	ECO	APPR
THIRD ANGLE PROJ.	A	OFFICIAL ENG. RELEASE TO MFG.	5/3/91	38063	DR
	K	REDRAWN WAS 'C' SIZE; ITEM 1 WAS 31-10124-BQ; UPDATED PLATE CODES; ADDED NOTES 7 & 8.	2/4/99	40865	CPM/



MOUNTING HOLE DETAIL  
MAX. PANEL THK .104

PART NUMBER	QTY	ITEM	DESCRIPTION	FINISH
31-12416	1	5	INSULATOR	
5579-NA	1	4	LOCKWASHER	NOTE 1
31-10495-NA	1	3	NUT	NOTE 1
31-12412-ND	1	2	BODY	NOTE 1
31-10325-IGI	1	1	CONTACT	NOTE 1

UNLESS OTHERWISE SPECIFIED, DIMENSIONS ARE IN INCHES AND TOLERANCES ARE:  
2 PLACE DECIMAL ±.015 (0,381 mm) 3 PLACE DECIMAL ±.005 (0,127 mm) ANGLES ± 1°

NOTICE - These drawings, specifications, or other data (1) are, and remain the property of Amphenol Corp. (2) must be returned upon request; and (3) are confidential and not to be disclosed to any person other than those to whom they are given by Amphenol Corp. The furnishing of these drawings, specifications, or other data by Amphenol Corp., or to any other person to anyone for any purpose is not to be regarded by implication or otherwise in any manner licensing, granting rights or permitting such holder or any other person to manufacture, use or sell any product, process or design, patented or otherwise, that may in any way be related to or disclosed by said drawings, specifications, or other data.

MATERIAL  
  
REFERENCE  
EAR 962370-0

DRAWN T. ALBERA DATE 4/9/91  
ENGINEER D. ROYCE DATE 4/27/91  
APPROVED D. ROYCE DATE 4/27/91  
CAD FILE H:\DEF-T611\BNC\031\ASSY\221RFX1

TITLE  
BNC RECEPTACLE

Amphenol  
Amphenol Corporation  
RF/Microwave Operations  
Dunbury, Conn. U.S.A. 06810  
SCALE: 4:1 SHEET OF

CODE ID 74868 DWG SIZE B DRAWING NO. 31-221-RFX1 REV K