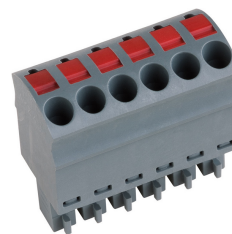


# AK4561/..KD-3.5-BASALTGREY



## Technical Data

Wire Sizes		Insulating Material	
Solid min	0.14 mm <sup>2</sup>	Material	PA 6.6
solid max	2.5 mm <sup>2</sup>	Flammability Class	UL 94 V-0
Stranded (flexible) min	0.14 mm <sup>2</sup>	<b>Temperatures</b>	
Stranded (flexible) max	1.5 mm <sup>2</sup>	Operating Temperature	-30 °C - 105 °C
Stranded with Ferrule min	0.25 mm <sup>2</sup>	<b>Wave Soldering Process</b>	
Stranded with Ferrule max	1.0 mm <sup>2</sup>	Soldering Temperature, recommended	-
<b>Dimensions</b>		Peak Soldering Time, recommended	-
Stripped Length	11.0 mm	<b>Reflow Process</b>	
<b>Materials</b>		Soldering Temperature, recommended	-
Contact Spring	Copper Alloy	Peak Soldering Time, recommended	-
Clamp Spring	Stainless Steel		

## Colours

BASALT GREY	RAL7012
-------------	---------

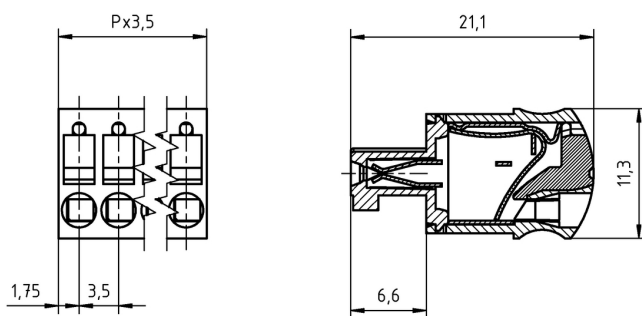
Colours according to RAL, there may be variations on colour due to production conditions.  
Special colours on request.

## Counterparts (Spacing 3.5 mm)

Pin Strip/Terminal Blocks
STL1550

## Order Data (Spacing 3.5 mm)

Poles	Width (mm)	Article Designation	Article Number	PU
2	7.00	AK4561/2KD-3.5-BASALTGREY	54561020401F	200
3	10.50	AK4561/3KD-3.5-BASALTGREY	54561030401F	200
4	14.00	AK4561/4KD-3.5-BASALTGREY	54561040401F	200
5	17.50	AK4561/5KD-3.5-BASALTGREY	54561050401F	200
6	21.00	AK4561/6KD-3.5-BASALTGREY	54561060401E	100
7	24.50	AK4561/7KD-3.5-BASALTGREY	54561070401E	100
8	28.00	AK4561/8KD-3.5-BASALTGREY	54561080401D	50
9	31.50	AK4561/9KD-3.5-BASALTGREY	54561090401D	50
10	35.00	AK4561/10KD-3.5-BASALTGREY	54561100401D	50
11	38.50	AK4561/11KD-3.5-BASALTGREY	54561110401D	50
12	42.00	AK4561/12KD-3.5-BASALTGREY	54561120401D	50
13	45.50	AK4561/13KD-3.5-BASALTGREY	54561130401D	50
14	49.00	AK4561/14KD-3.5-BASALTGREY	54561140401D	50
15	52.50	AK4561/15KD-3.5-BASALTGREY	54561150401D	50
16	56.00	AK4561/16KD-3.5-BASALTGREY	54561160401D	50
17	59.50	AK4561/17KD-3.5-BASALTGREY	54561170401D	50
18	63.00	AK4561/18KD-3.5-BASALTGREY	54561180401D	50
19	66.50	AK4561/19KD-3.5-BASALTGREY	54561190401D	50
20	70.00	AK4561/20KD-3.5-BASALTGREY	54561200401D	50



## Ratings



Usegroup	B	C	D		
Rated Voltage	300 V	-	300 V	160 V	
Rated Current	10 A	-	10 A	10 A	
Overvoltage Category				III	
Rated Wire Size			min		max
	solid	AWG 26-16	-	AWG 26-16	0.14 mm <sup>2</sup> (3 A) / 2.5 mm <sup>2</sup> (10 A)
	stranded	AWG 26-16	-	AWG 26-16	0.14 mm <sup>2</sup> (3 A) / 1.5 mm <sup>2</sup> (10 A)
Test Voltage	1.6 kV	-	1.6 kV	2.5 kV	
Pollution Degree				3	

\* Approval Pending