

DC BLOCKS, INSIDE

SMA, TNC and Type N, 10 MHz - 18 GHz, 950 Volts

RoHS
Compliant

AEROFLEX
A passion for performance.

SPECIFICATIONS:

MODELS: 8532-SI-HV, 8532-NI-HV, 8532-TI-HV

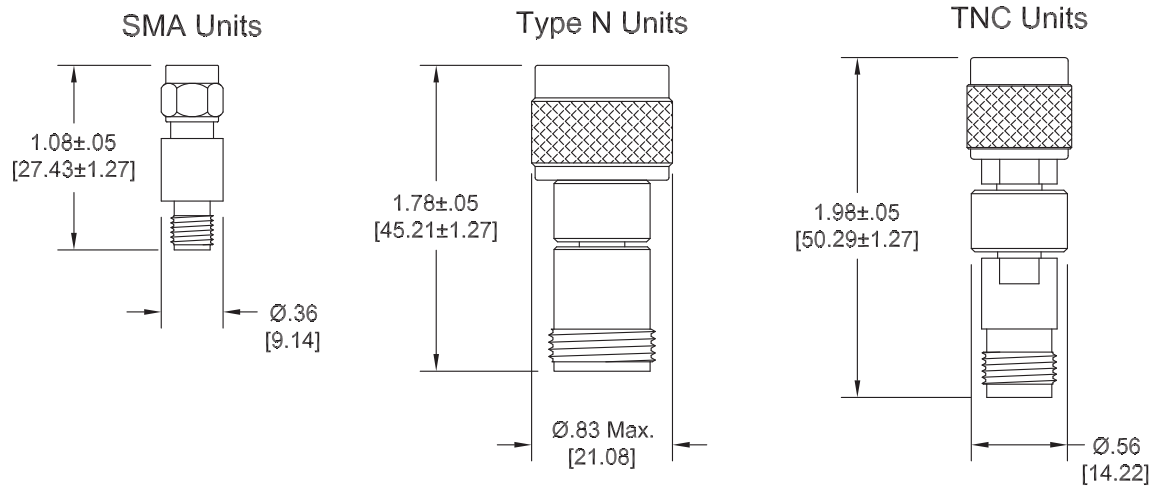
Electrical:

* Frequency Range _____ 10 MHz - 18 GHz
 Insertion Loss
 10 MHz - 4 GHz _____ 1.25 dB Max.
 4 - 18 GHz _____ 1.5 dB Max.
 VSWR _____ 1.60:1 Max.
 Working Voltage _____ 950 Volts
 Impedance _____ 50 Ohms
 Operating Temp Range _____ -65°C to +100°C

Mechanical:

Connectors _____ Passivated Stainless Steel
 Mates with MIL-STD-348
 Housing _____ Passivated Stainless Steel
 Conductors _____ Gold Plated Beryllium Copper
 Coupling Nut:
 SMA and Type N Units _____ Passivated Stainless Steel
 TNC Units _____ Nickel Plated Brass

* Lower frequency economy units are available. Contact factory.



HOW TO ORDER:

Model Number: **8532-XI-HV**

Base Model Number | High Voltage Designation

Connector Series | DC Block Type

N = Type N
 S = SMA
 T = TNC

I = Inner Only

Ordering Examples:

Model Number: **8532-NI-HV**
 Inner Only, Type N Male/Female

Model Number: **8532-SI-HV**
 Inner Only, SMA Male/Female

Model Number: **8532-TI-HV**
 Inner Only, TNC Male/Female

Note: Dimensions in Brackets are Expressed in Millimeters and are for Reference Only.
 Design specifications are subject to change without notice.
 Contact factory for technical specifications before purchasing or use.

8532-XI; REV F

AEROFLEX
INMET

Aeroflex / Inmet, Inc. • 300 Dino Drive, Ann Arbor, MI 48103 • U.S.A.
 888-244-6638 or 734-426-5553 • FAX: 734-426-5557
 www.aeroflex-inmet.com • inmet-sales@aeroflex.com