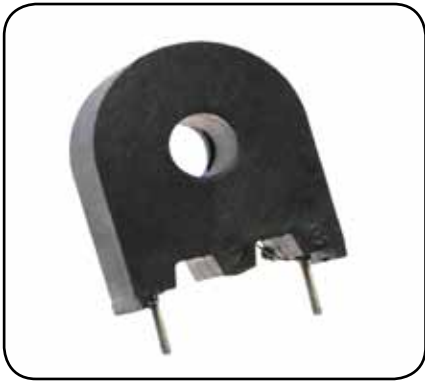


CT03 Series Current Sense Transformer



Features

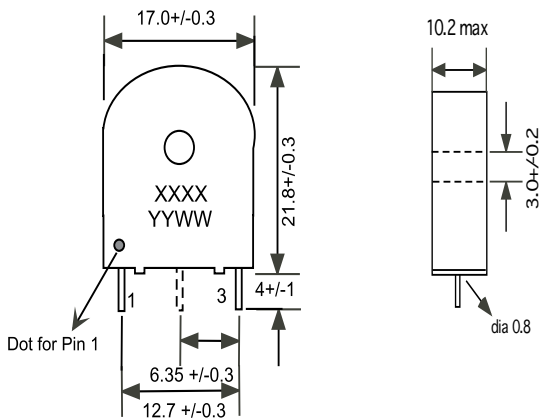
- Encapsulated to Meet UL1950 and EN60950 Creepage/Clearance spacing
- Available in Unipolar and Bipolar configurations
- Meets UL Class B Insulation System
- 25A Current Rating
- Frequency range of 1 to 200 kHz

Applications

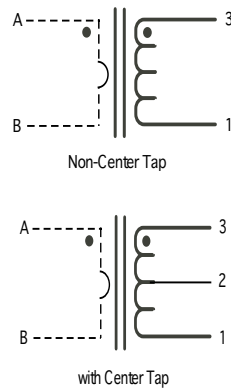
- Feedback Control
- Overload Protection
- Detecting Load Drop or Shutdown

Packaging Tray=144 pieces, Box=12 Trays, Box=1728 pieces

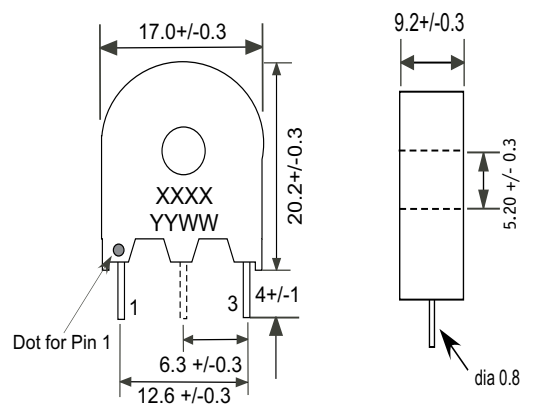
Mechanical - Figure A



Schematic



Mechanical - Figure B



unit: mm

Electrical Specifications

Part Number	Turns Ratio	Ls ¹ (mH, min)	Rs (Ω, max.)	Hi-Pot Vac
CT03-050-B_	1:50	5	0.6	3750
CT03-100-B_	1:100	20	1.3	3750
CT03-200-B_	1:200	80	4.5	3750
CT03-750-A_	1:750	1125	34.0	3750
CT03-1000-A_	1:1000	1500	57.0	3750

1. Electrical specifications at 25°C.
2. Operating temperature range: -40°C to +130°C.
3. Meets UL 94V-0.
4. To determine the terminating resistor use the following formula to determine Rb.
 $E_o = I_p(R_b/TR)$
 E_o - output voltage
 I_p - primary current
 R_b - terminating resistor
 TR - turns ratio

Add designator to end of p/n
 C = Center Tap Secondary
 N = Non-Center Tap Secondary

