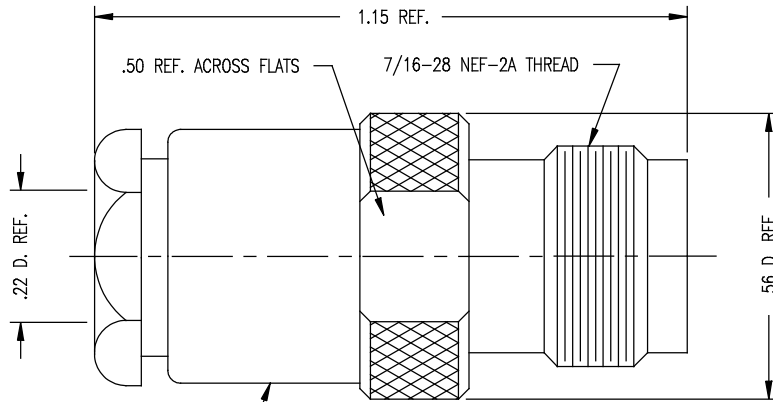


DASH NO.	M CODE	MADE FROM
----------	--------	-----------

GSD

M39012/27-0101

REVISIONS	
ISSUE	CHANGES
3	CN 32301 A LNM 06/19/90



STAMP: 91836 M39012/27-0101
KINGS KA-39-87 XX XX (DATE CODE)

NOTES:

- FOR USE WITH RG-58, 141, 142, 223 & 400/U CABLE.
- FOR CABLING INSTRUCTIONS SEE CP-1050.
- MATERIALS:
 INSULATORS: TEFLON, ASTM-D-1457
 GASKET: SIL. RUB., ZZ-R-765
 CENTER CONTACT: BER. COP., ASTM-B-196
 ALL OTHER PARTS: BRASS, QQ-B-626
- FINISHES:
 CENTER CONTACT: HARD GOLD. PLT. PER MIL-G-45204
 ALL OTHER METAL PARTS: SILVER PLT. PER QQ-S-365
- ELECTRICAL CHARACTERISTICS:
 NOMINAL IMPEDANCE: 50 OHMS
 VOLTAGE RATING: 500 VRMS
 FREQUENCY RANGE: DC TO 11GHz

SCALE 4:1	
APPROX SURFACE AREA	
KA-39-87	
USED ON	
REF:	
JACK, TNC	
DRAWN JCA	DATE 01/28/91
DESIGN MJB	DATE 01/28/91
APPR.	DATE
 TUCKAHOE, NEW YORK 10707	

GSD

M39012/27-0101