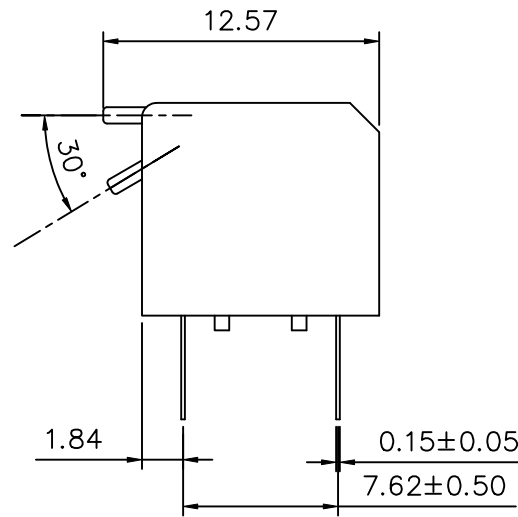
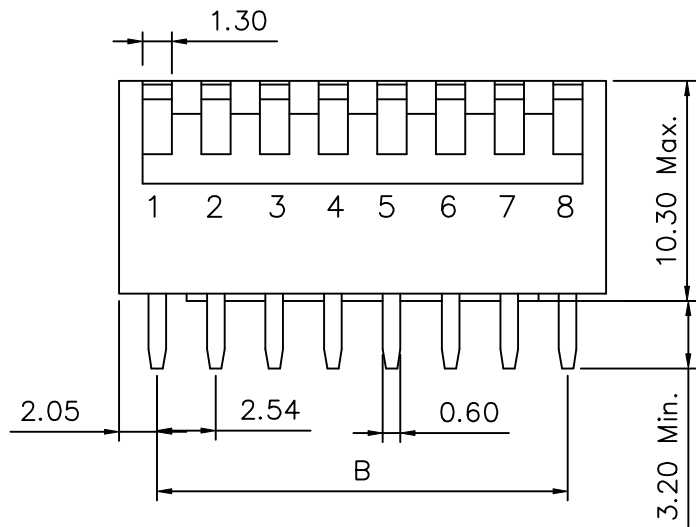


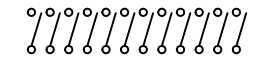
P.C.B. LAYOUT



RoHS Compliant

No. of Pos.	A	B
02	6.64	2.54
03	9.18	5.08
04	11.72	7.62
05	14.26	10.16
06	16.80	12.70
07	19.34	15.24
08	21.88	17.78
09	24.42	20.32
10	26.96	22.86
12	32.04	27.94

SCHEMATIC(TYP.)



(2,3,4,5,6,7,8,9,10,12, POS AVAIL)

AUK A MEMBER OF AUK GROUP
太聯事業股份有限公司
AUK CONTRACTORS CO., LTD.

CATEGORY		APPROVED BY MEI		UNLESS OTHERWISE SPECIFIED TOLERANCES ARE 10mm OVER ±0.20 10mm BLOW ±0.10
PART No. SWXXP-H		CHECKED BY BECKY		
DRAWING No. SWXXP-H		DRAWING BY HXY		
SCALE	NONE	REV.	A0	
UNIT mm				

NO.	REV.	REVISIONS	CHK	DATE
△ A0		NEW RELEASE		