

# SN54HC85A, SN74HC85A 4-BIT MAGNITUDE COMPARATORS

D2084, DECEMBER 1982—REVISED JUNE 1989

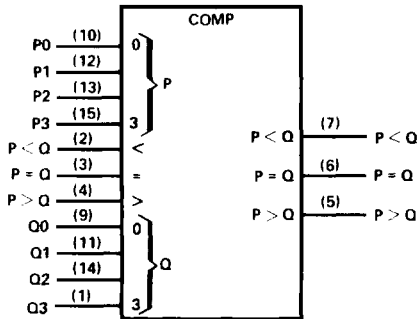
- Package Options Include Ceramic Chip Carriers, and Standard Plastic and Ceramic 300-mil DIPs
- Dependable Texas Instruments Quality and Reliability

## description

These four-bit magnitude comparators perform comparison of straight binary and straight BCD (8-4-2-1) codes. Three fully decoded decisions about two 4-bit words (P, Q) are made and are externally available at three outputs. These devices are fully expandable to any number of bits without external gates. Words of greater length may be compared by connecting comparators in cascade. The P>Q, P<Q, and P=Q outputs of a stage handling less significant bits are connected to the corresponding P>Q, P<Q, and P=Q inputs of the next stage handling more significant bits. The stage handling the least significant bits must have a high-level voltage applied to the P=Q input. The cascading path of the 'HC85A is implemented with only a two-gate-level delay to reduce overall comparison times for long words.

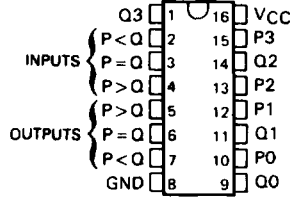
The SN54HC85A is characterized for operation over the full military temperature range of -55°C to 125°C. The SN74HC85A is characterized for operation from -40°C to 85°C.

## logic symbol†

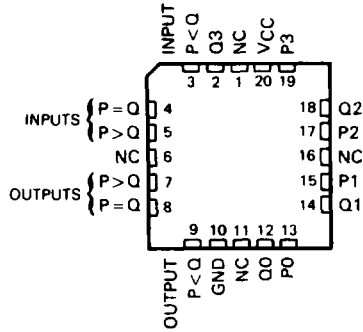


† This symbol is in accordance with ANSI/IEEE Std 91-1984 and IEC Publication 617-12. Pin numbers shown are for J and N packages.

SN54HC85A . . . J PACKAGE  
SN74HC85A . . . N PACKAGE  
(TOP VIEW)



SN54HC85A . . . FK PACKAGE  
(TOP VIEW)



NC—No internal connection

2  
HCMOS Devices

PRODUCTION DATA documents contain information current as of publication date. Products conform to specifications per the terms of Texas Instruments standard warranty. Production processing does not necessarily include testing of all parameters.



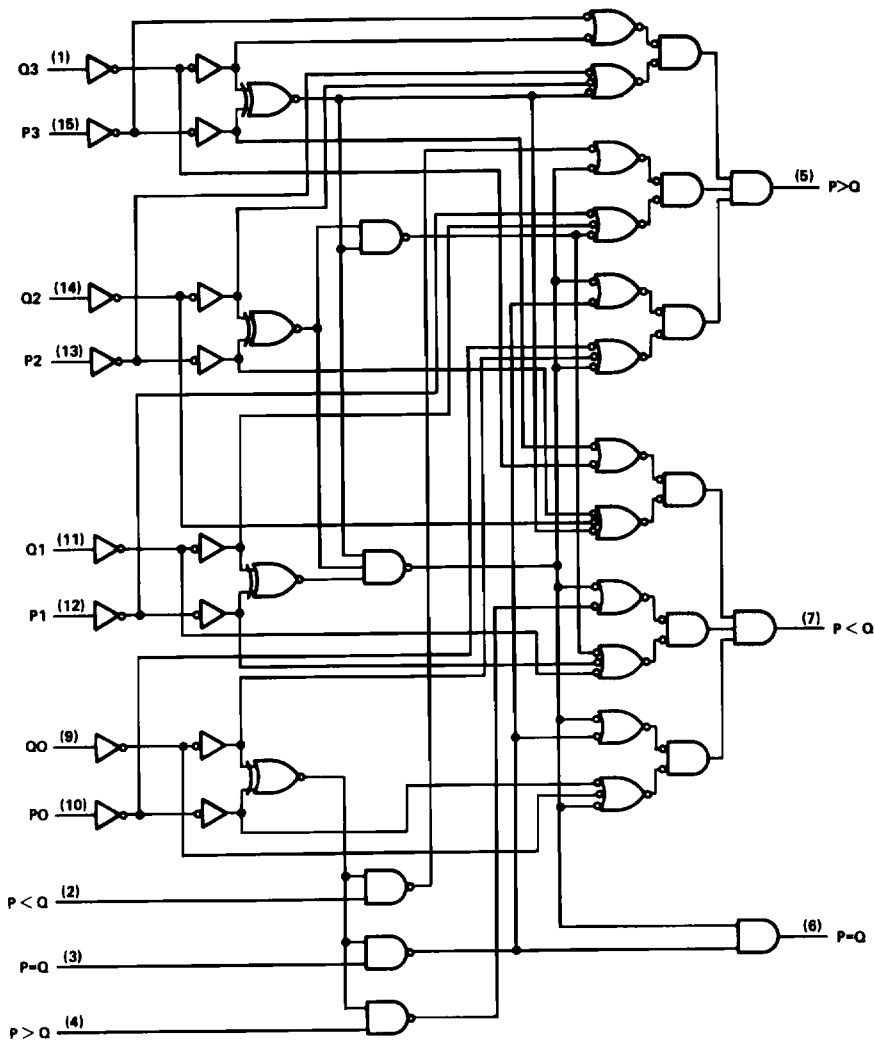
POST OFFICE BOX 655012 • DALLAS, TEXAS 75265

Copyright © 1989, Texas Instruments Incorporated

**SN54HC85A, SN74HC85A**  
**4-BIT MAGNITUDE COMPARATORS**

logic diagram (positive logic)

**2**  
**HCMOS Devices**



Pin numbers shown are for J and N packages.

# SN54HC85A, SN74HC85A 4-BIT MAGNITUDE COMPARATORS

FUNCTION TABLE

COMPARING INPUTS				CASCADING INPUTS			OUTPUTS		
P3, Q3	P2, Q2	P1, Q1	P0, Q0	P>Q	P<Q	P=Q	P>Q	P<Q	P=Q
P3>Q3	X	X	X	X	X	X	H	L	L
P3<Q3	X	X	X	X	X	X	L	H	L
P3=Q3	P2>Q2	X	X	X	X	X	H	L	L
P3=Q3	P2<Q2	X	X	X	X	X	L	H	L
P3=Q3	P2=Q2	P1>Q1	X	X	X	X	H	L	L
P3=Q3	P2=Q2	P1<Q1	X	X	X	X	L	H	L
P3=Q3	P2=Q2	P1=Q1	P0>Q0	X	X	X	H	L	L
P3=Q3	P2=Q2	P1=Q1	P0<Q0	X	X	X	L	H	L
P3=Q3	P2=Q2	P1=Q1	P0=Q0	H	L	L	H	L	L
P3=Q3	P2=Q2	P1=Q1	P0=Q0	L	H	L	L	H	L
P3=Q3	P2=Q2	P1=Q1	P0=Q0	X	X	H	L	L	H
P3=Q3	P2=Q2	P1=Q1	P0=Q0	H	H	L	L	L	L
P3=Q3	P2=Q2	P1=Q1	P0=Q0	L	L	L	H	H	L

2

HCMOS Devices

**absolute maximum ratings over operating free-air temperature range†**

Supply voltage, $V_{CC}$ .....	-0.5 V to 7 V
Input clamp current, $I_{IK}$ ( $V_I < 0$ or $V_I > V_{CC}$ ) .....	$\pm 20$ mA
Output clamp current, $I_{OK}$ ( $V_O < 0$ or $V_O > V_{CC}$ ) .....	$\pm 20$ mA
Continuous output current, $I_O$ ( $V_O = 0$ to $V_{CC}$ ) .....	$\pm 25$ mA
Continuous current through $V_{CC}$ or GND pins .....	$\pm 50$ mA
Lead temperature 1,6 mm (1/16 in) from case for 60 s: FK or J package .....	300°C
Lead temperature 1,6 mm (1/16 in) from case for 10 s: N package .....	260°C
Storage temperature range .....	-65°C to 150°C

† Stresses beyond those listed under "absolute maximum ratings" may cause permanent damage to the device. These are stress ratings only, and functional operation of the device at these or any other conditions beyond those indicated under "recommended operating conditions" is not implied. Exposure to absolute-maximum-rated conditions for extended periods may affect device reliability.

**recommended operating conditions**

		SN54HC85A			SN74HC85A			UNIT
		MIN	NOM	MAX	MIN	NOM	MAX	
$V_{CC}$ Supply voltage		2	5	6	2	5	6	V
$V_{IH}$ High-level input voltage	$V_{CC} = 2$ V	1.5			1.5			V
	$V_{CC} = 4.5$ V	3.15			3.15			
	$V_{CC} = 6$ V	4.2			4.2			
$V_{IL}$ Low-level input voltage	$V_{CC} = 2$ V	0		0.3	0		0.3	V
	$V_{CC} = 4.5$ V	0		0.9	0		0.9	
	$V_{CC} = 6$ V	0		1.2	0		1.2	
$V_I$ Input voltage		0		$V_{CC}$	0		$V_{CC}$	V
$V_O$ Output voltage		0		$V_{CC}$	0		$V_{CC}$	V
$t_t$ Input transition (rise and fall) times	$V_{CC} = 2$ V	0		1000	0		1000	ns
	$V_{CC} = 4.5$ V	0		500	0		500	
	$V_{CC} = 6$ V	0		400	0		400	
$T_A$ Operating free-air temperature		-55		125	-40		85	°C



**SN54HC85A, SN74HC85A**  
**4-BIT MAGNITUDE COMPARATORS**

electrical characteristics over recommended operating free-air temperature range (unless otherwise noted)

PARAMETER	TEST CONDITIONS	V <sub>CC</sub>	T <sub>A</sub> = 25°C			SN54HC85A		SN74HC85A		UNIT
			MIN	TYP	MAX	MIN	MAX	MIN	MAX	
V <sub>OH</sub>	V <sub>I</sub> = V <sub>IH</sub> or V <sub>IL</sub> , I <sub>OH</sub> = -20 μA	2 V	1.9	1.998		1.9		1.9	V	
		4.5 V	4.4	4.499		4.4		4.4		
		6 V	5.9	5.999		5.9		5.9		
V <sub>OL</sub>	V <sub>I</sub> = V <sub>IH</sub> or V <sub>IL</sub> , I <sub>OL</sub> = 20 μA	2 V		0.002	0.1			0.1	V	
		4.5 V		0.001	0.1			0.1		
		6 V		0.001	0.1			0.1		
V <sub>OL</sub>	V <sub>I</sub> = V <sub>IH</sub> or V <sub>IL</sub> , I <sub>OL</sub> = 4 mA	2 V		0.17	0.28			0.33	V	
		4.5 V		0.15	0.26			0.33		
		6 V		0.15	0.26			0.33		
I <sub>I</sub>	V <sub>I</sub> = V <sub>CC</sub> or 0	6 V	±0.1 ±100			±1000		±1000		nA
I <sub>CC</sub>	V <sub>I</sub> = V <sub>CC</sub> or 0, I <sub>O</sub> = 0	6 V				160		80		μA
C <sub>I</sub>		2 to 6 V	3 10			10		10		pF

switching characteristics over recommended operating free-air temperature range (unless otherwise noted), C<sub>L</sub> = 50 pF (see Note 1)

PARAMETER	FROM (INPUT)	TO (OUTPUT)	V <sub>CC</sub>	T <sub>A</sub> = 25°C			SN54HC85A		SN74HC85A		UNIT
				MIN	TYP	MAX	MIN	MAX	MIN	MAX	
t <sub>pd</sub>	Any P or Q	P > Q	2 V		80	230		345		290	MHz
		or	4.5 V		26	48		69		58	
		P < Q	6 V		22	39		59		49	
t <sub>pd</sub>	Any P or Q	P = Q	2 V		66	200		300		250	ns
			4.5 V		22	40		60		50	
			6 V		19	34		51		43	
t <sub>pd</sub>	P < Q or P = Q	P > Q	2 V		63	175		260		220	ns
			4.5 V		21	41		58		50	
			6 V		18	33		46		39	
t <sub>pd</sub>	P > Q or P = Q	P < Q	2 V		72	175		280		220	ns
			4.5 V		24	41		58		50	
			6 V		20	33		46		39	
t <sub>pd</sub>	P = Q	P = Q	2 V		51	145		215		185	ns
			4.5 V		17	29		43		37	
			6 V		14	25		37		31	
t <sub>t</sub>		Any	2 V		38	75		110		95	ns
			4.5 V		8	15		22		19	
			6 V		6	13		19		16	

C <sub>pd</sub>	Power dissipation capacitance	No load, T <sub>A</sub> = 25°C	80 pF typ
-----------------	-------------------------------	--------------------------------	-----------

NOTE 1: Load circuit and voltage waveforms are shown in Section 1.