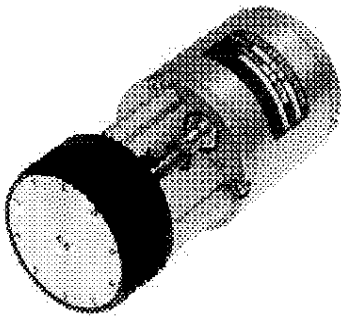


Model 100 & 102 MANUAL STEP ATTENUATORS

dc to 26.5 GHz

2 WATTS

3.5mm Connectors



FEATURES

- Choice of Attenuation Ranges and Steps**
- Low RF Leakage** - 80 dB below input signal.
- High Reliability** - Contact mechanism which exceeds the requirements of MIL-A-24215. This provides useful life beyond 1,000,000 operations.
- Stable Connectors** - Molded captive inner contact/bead assembly provides controlled and stable dimensions.

SPECIFICATIONS

NOMINAL IMPEDANCE: 50 Ω

FREQUENCY RANGE: dc to 26.5 GHz

INCREMENTAL ATTENUATION RANGE/STEPS:

Model 100: 0-9 dB in 1 dB steps
Model 102: 0-90 dB in 10 dB steps

INCREMENTAL INSERTION LOSS ACCURACY:

MODEL NO.	ACCURACY
100	± 0.75 dB
102	± 1.5 dB or 2 %

MAXIMUM SWR:

Frequency (GHz)	SWR
dc - 18	1.60
18 - 26.5	1.75

CHARACTERISTIC INSERTION LOSS, RESIDUAL:

dc-18 GHz: 1.0 dB maximum
18-26.5 GHz: 1.5 dB maximum

INCREMENTAL PHASE SHIFT WITH CHANGE IN ATTENUATION:

$\sim 0.25^\circ$ per dB $\times f$ (GHz)

POWER RATING: 2 watts **average** to 25 $^\circ$ C ambient temperature, derated linearly to 1 watt @ 54 $^\circ$ C.
200 watts **peak** (5 μ sec pulse width; 0.5 % duty cycle)

POWER COEFFICIENT: < 0.005 dB/dB/watt

TEMPERATURE COEFFICIENT: < 0.0004 dB/dB/ $^\circ$ C

TEMPERATURE RANGE:

Operating: 0 $^\circ$ C to +54 $^\circ$ C
Nonoperating: -54 $^\circ$ C to +54 C

CALIBRATION: Insertion loss and SWR data supplied at 0.05, 4.0, 8.0, 12.0, 18.0 and 26.5 GHz. Other test data can be provided at additional cost.

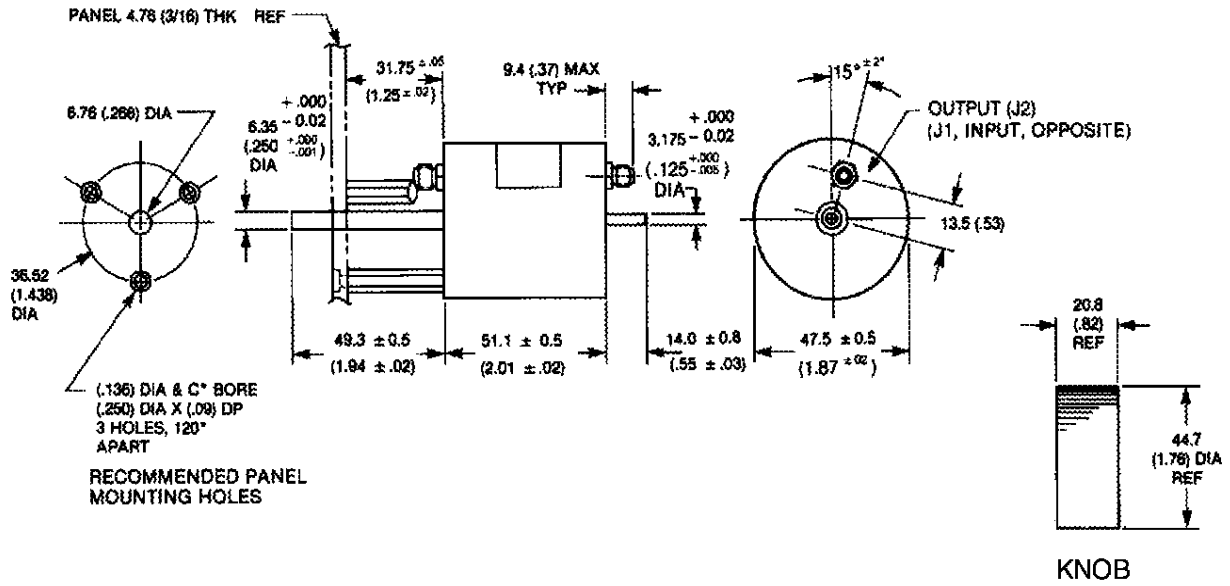
REPEATABILITY: ± 0.05 dB (0 to 60 dB)
 ± 0.10 dB (70 to 90 dB)

CONNECTORS: 3.5mm female connectors - mate nondestructively with SMA connectors per MIL-C-39012 and other 3.5mm and 2.92mm connectors.

CONSTRUCTION: Stainless steel connectors; gold plated beryllium copper contacts. Knob is included with each unit.

WEIGHT: Net 270 g (9.6 oz)

PHYSICAL DIMENSIONS:



NOTE: All dimensions are given in mm (inches) and are maximum, unless otherwise specified.