

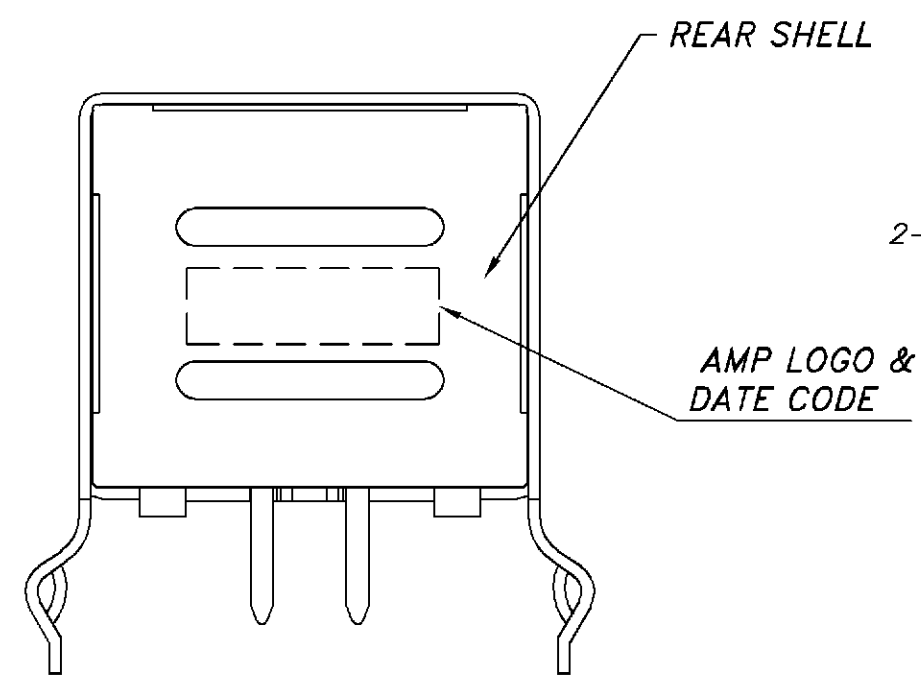
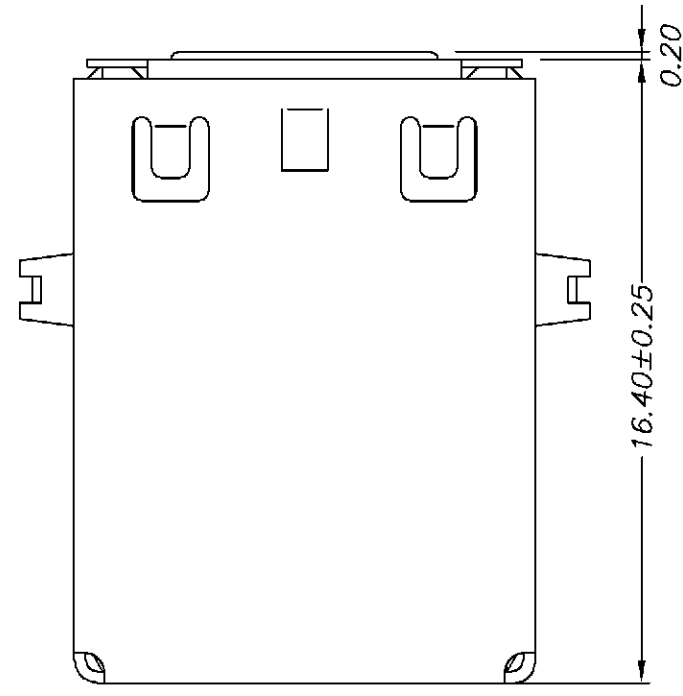
NUMBER
C-440119

3RD ANGLE PROJECTION

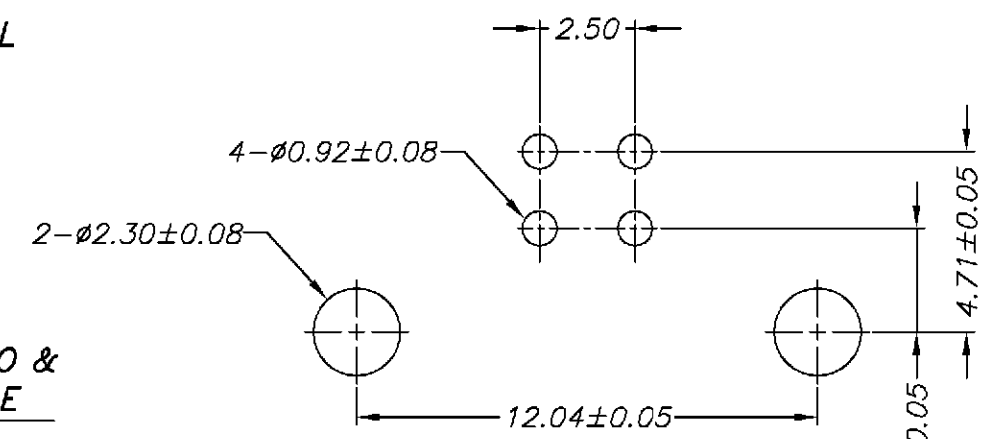
METRIC

THIS INFORMATION IS CONFIDENTIAL AND IS DISCLOSED TO YOU ON CONDITION THAT NO FURTHER DISCLOSURE IS MADE BY YOU TO OTHER THAN AMP PERSONNEL WITHOUT WRITTEN AUTHORIZATION FROM AMP (TAIWAN) LTD. DIMENSIONS IN MILLIMETERS. DO NOT SCALE PRINT.

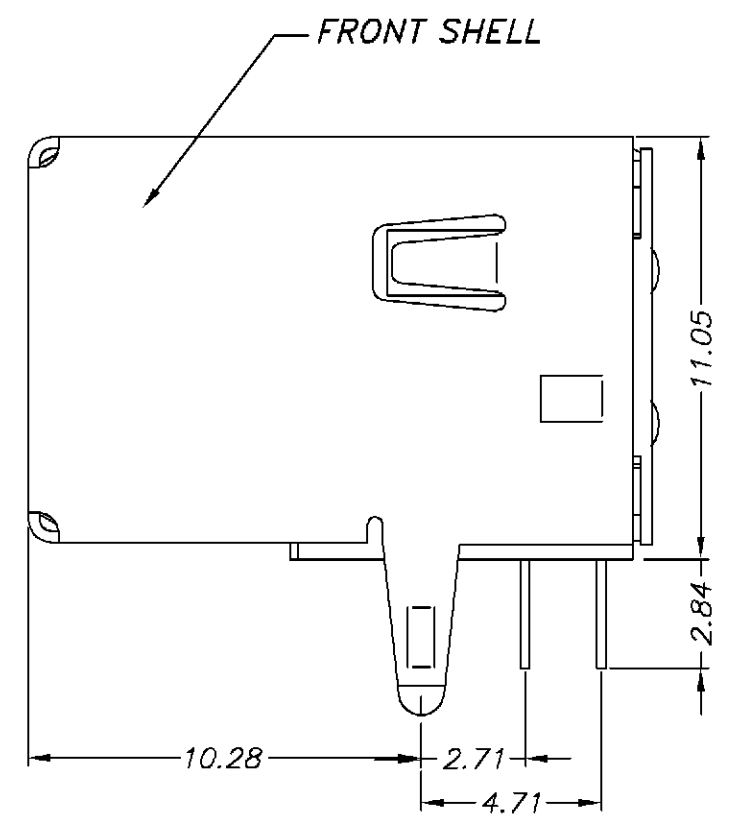
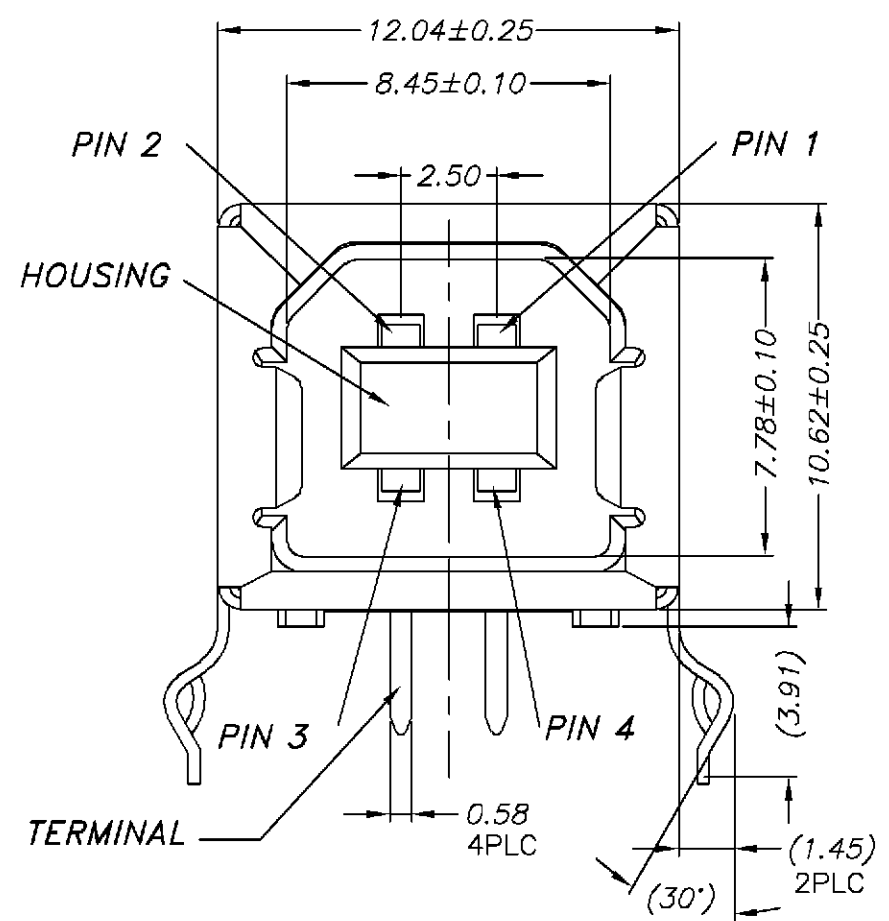
PRINT DIST
DW



VIEW A



RECOMMENDED PCB LAYOUT



VIEW A

NOTES :

- MATERIAL :
HOUSING : HIGH TEMPERATURE THERMOPLASTIC, UL94V-0.
CONTACT : COPPER ALLOY.
FRONT SHELL : COPPER ALLOY.
REAR SHELL : COPPER ALLOY.
- PLATING :
FRONT SHELL : BRIGHT TIN OR TIN-LEAD 120u" (MIN) OVER Cu 100u" (MIN).
REAR SHELL : NICKEL 120u" (MIN) OVER Cu 100u" (MIN).

PART NO.	PLATING SPECIFICATION			COLOR
	CONTACT AERA	INTERNAL (ALL)	SOLDER LEAD	
440119-6	Au 30u"	NICKEL	TIN-LEAD	BLACK
440119-5				BEIGE
440119-4	Au 5u"	NICKEL	TIN-LEAD	BLACK
440119-3				BEIGE
440119-2	Au 2~3u"	NICKEL	TIN-LEAD	BLACK
440119-1				BEIGE

TOLERANCES UNLESS OTHERWISE SPECIFIED: 0 PLC ± 0.3 1 PLC ± 0.25 2 PLC ± 0.12 3 PLC ± 0.08 ANGLES ± 3'	DWN O. HU 12-JAN-2004	 TYCO HOLDINGS (BERMUDA) VII LTD. TAIWAN BRANCH NAME RCPT. ASS'Y, R/A, THRUHOLE USB B TYPE, W/ REAR SHELL
MATERIAL SEE NOTE	CHK A. WU 12-JAN-2004	
FINISH SEE NOTE	APVD J. CHENG 12-JAN-2004	LOC DW A ₃
	PRODUCT SPEC 108-57085	DRAWING NO C-440119
	APPLICATION SPEC -	REV C
	WEIGHT	SCALE --
		SHEET 1 OF 1

REV	DESCRIPTION	ECN	BY	DATE
C	REVISED	FZ00-0001-04	OH/JC	16JAN 2004
B	REVISED	FZ00-0071-02	AW/JC	19MAR 2002
A	REVISED	FW00-0082-00	OH/JC	22SEP 2000
LTR	REVISION RECORD	ECN	DWN/CHK	DATE