

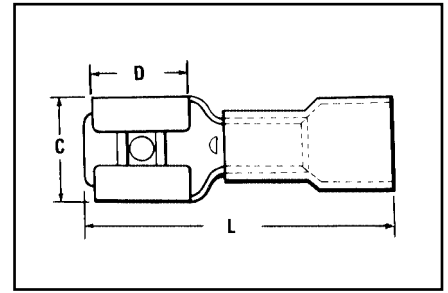


TYPE QP-F/PQ-R256

FEMALE FINGRIP™

VINYL INSULATED QUICK DISCONNECT TERMINALS

Easy entry shroud has smooth funnel which assures no hang up wire insertion. Color coded for quick and easy identification. Two piece construction.



B-37



MATES WITH QP-M

CATALOG NUMBER	WIRE RANGE	NEMA TAB SIZE	MAX. INSUL. DIA.	DIMENSIONS			HAND TOOL
				C	D	L MAX	
QP18F187D	22-18 STRIP LENGTH: 3/8" SLEEVE COLOR: RED	.187 X .020	.125	.233	.250	.87	Y10D
*PQ18R256D		.250 X .032	.125	.300	.300	.85	
QP14F187D	16-14 STRIP LENGTH: 3/8" SLEEVE COLOR: BLUE	.187 X .020	.160	.233	.250	.87	Y10D
PQ14R256D		.250 X .032	.160	.300	.300	.85	
QP10F250D	12-10 STRIP LENGTH: 15/32" SLEEVE COLOR: YELLOW	.250 X .032	.265	.300	.300	1.04	Y10D

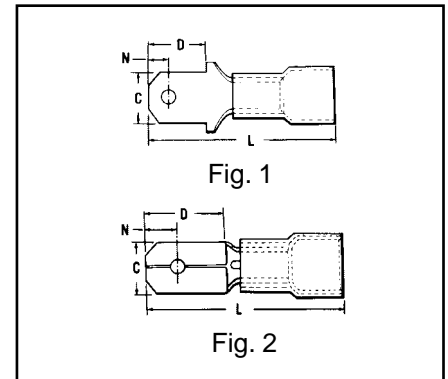
* UL Recognized

TYPE QP-M

MALE FINGRIP™

VINYL INSULATED QUICK DISCONNECT TERMINAL

Easy entry shroud has smooth funnel which assures no hang up wire insertion. Color coded for quick and easy identification. Two piece construction.



CATALOG NUMBER	WIRE RANGE	NEMA TAB SIZE	MAX. INSUL. DIA.	FIG. NO.	DIMENSIONS				HAND TOOL
					C	D MIN.	N	L	
QP18M187D	22-18 STRIP LENGTH: 5/16" SLEEVE COLOR: RED	.187 X .020	.124	1	.187	.250	.125	.83	Y10D
QP18M250D		.250 X .032	.160	1	.250	.312	.162	.95	
QP14M187D	16-14 STRIP LENGTH: 5/16" SLEEVE COLOR: BLUE	.187 X .020	.195	1	.187	.250	.125	.83	Y10D
QP14M250D		.250 X .032	.195	1	.250	.312	.162	.95	
QP10M250D	12-10 STRIP LENGTH: 3/8" SLEEVE COLOR: YELLOW	.250 X .032	.265	2	.250	.352	.178	1.12	Y10D