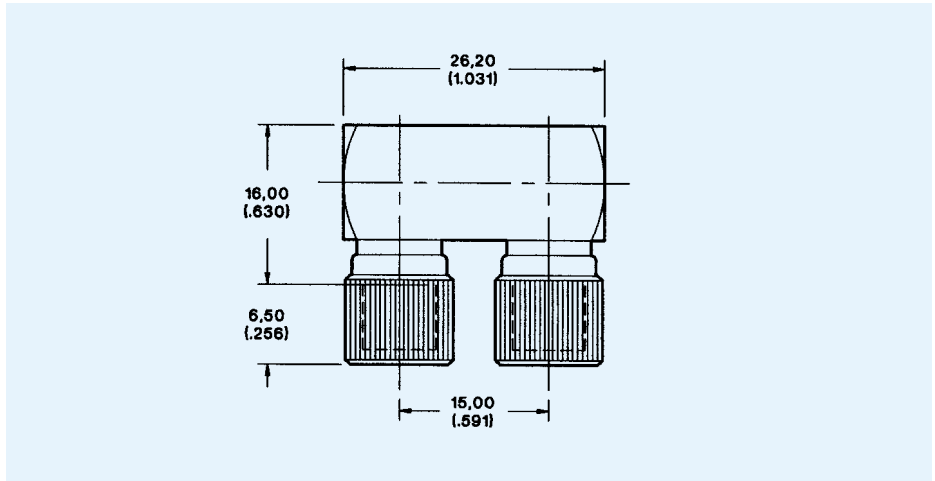


Coaxial Links

OTHER SIZES AVAILABLE ON REQUEST

**U Link  
Screw Coupling**

Part Number  
F50-A81-9001A90



1.6/5.6

**U Link with Test Port**

Part Number  
F50-A81-9011A90

