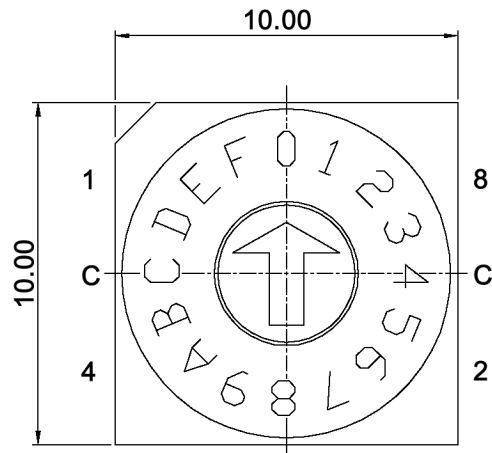
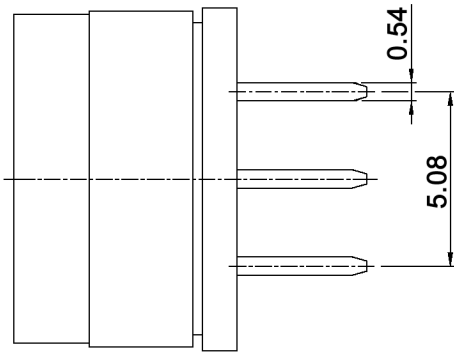
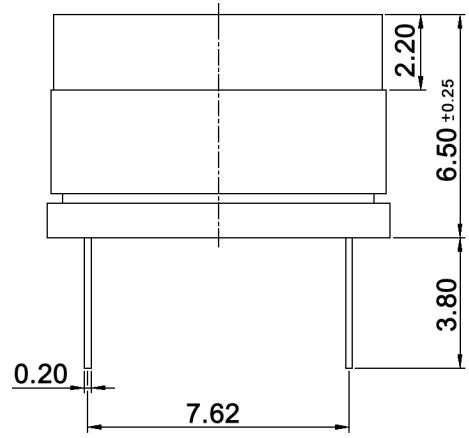
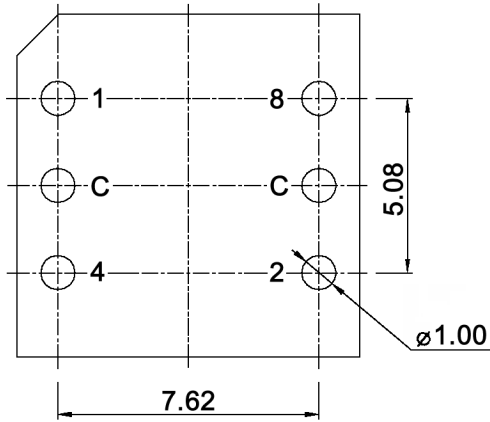


P.C.B. DIMENSION



Hexadecimal inverse

	Complement coded				
	C	1	2	4	8
0	•	•	•	•	•
1	•	•	•	•	•
2	•	•	•	•	•
3	•	•	•	•	•
4	•	•	•	•	•
5	•	•	•	•	•
6	•	•	•	•	•
7	•	•	•	•	•
8	•	•	•	•	•
9	•	•	•	•	•
A	•	•	•	•	•
B	•	•	•	•	•
C	•	•	•	•	•
D	•	•	•	•	•
E	•	•	•	•	•
F	•	•	•	•	•

Specifications:

- Contact rating: switching: 25mA, 24V DC  
non-switching: 100mA, 50V DC
- Contact resistance: 80mOhm max.
- Insulation resistance: 100MOhm min.
- Mechanical life: 10 000 cycles
- Operating force: 700gf max.
- Operating temperature: -40°C to +85°C
- Storage temperature: -40°C to +85°C
- Soldering conditions: pre-heat: max. 120°C, max. 70sec.  
wave soldering: max. 260°C, max. 10sec.
- Color of actuator: grey
- IP rating: IP67



Tolerances:	Date	Name
		02/08
Soldering conditions	01/11	dr
IP rating	07/09	dr
Operating temperature	11/08	dr
Modifications	Date	Name

**DRS 60116**

**30 13 85**

Page

1/1

**knitter-switch**