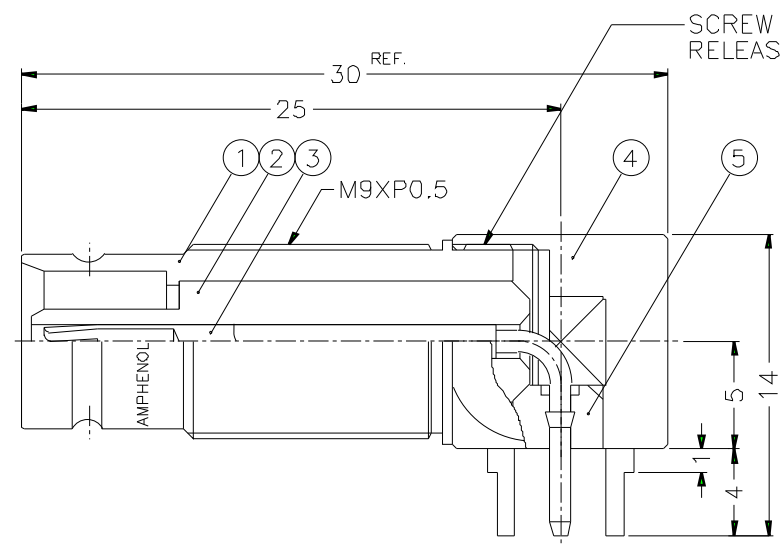
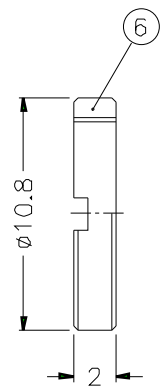
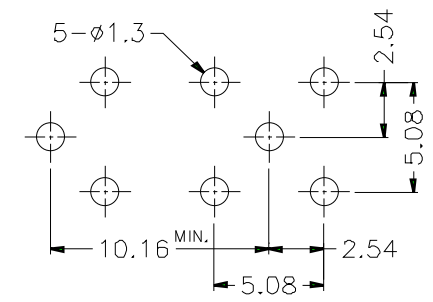


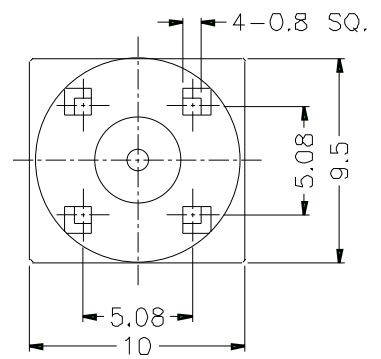
1			2			3			4			5			6			7			8		
REVISIONS																							
ISS	ZONE	DESCRIPTION\PER REQUEST\DATE																					



SCREW TORQUE 0.8 TO 1.2 N-m
RELEASE TORQUE 0.8 N-m MIN.



PCB MOUNTING HOLE



PANNEL THICKNESS: 7.5^{MAX.}
 -CONNECTOR ACCORDING TO: NFC 93-570,
 DIN 47-295, CEI 169-13, UTEC 93-570
 -PACKAGING IN TRAY (QTY: 100) WITH COMMERCIAL PART NUMBER
 AND DATE CODE

DIMENSIONS ARE IN MILLIMETERS										PART NO. 156 335 03P				Amphenol									
										APPROVED _____ DATE 10-11-01'								TITLE 1.6/5.6 R/A P.C. MOUNT RECEPT. JACK					
6	NUT	BRASS	NICKEL	1						CHECKED _____ DATE 10-11-01'				DRAWING NO. _____									
5	INSULATOR	TEFLON	NATURAL	1						DRAWN _____ DATE 10-11-01'				ITEM NO. _____									
4	HOUSING	BRASS	GOLD	1																			
3	CONTACT PIN	BECU	GOLD	1																			
2	INSULATOR	TEFLON	NATURAL	1																			
1	BODY	BRASS	GOLD	1																			
NO.	DESCRIPTION	MATERIAL	FINISH	Q'TY	DRAWING NO.	SCALE	3/1	ISSUE	A	FILE NO.													