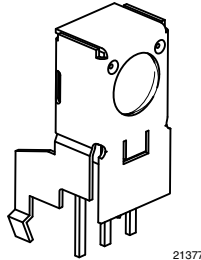
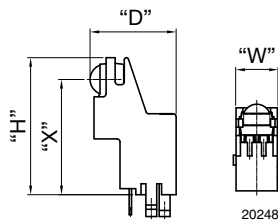


Side View Holder: D = 9.2 mm, H = 13.2 mm, W = 7.4 mm, X = 9.6 mm



21377



20248

FEATURES

- Material categorization: for definitions of compliance please see www.vishay.com/doc?99912



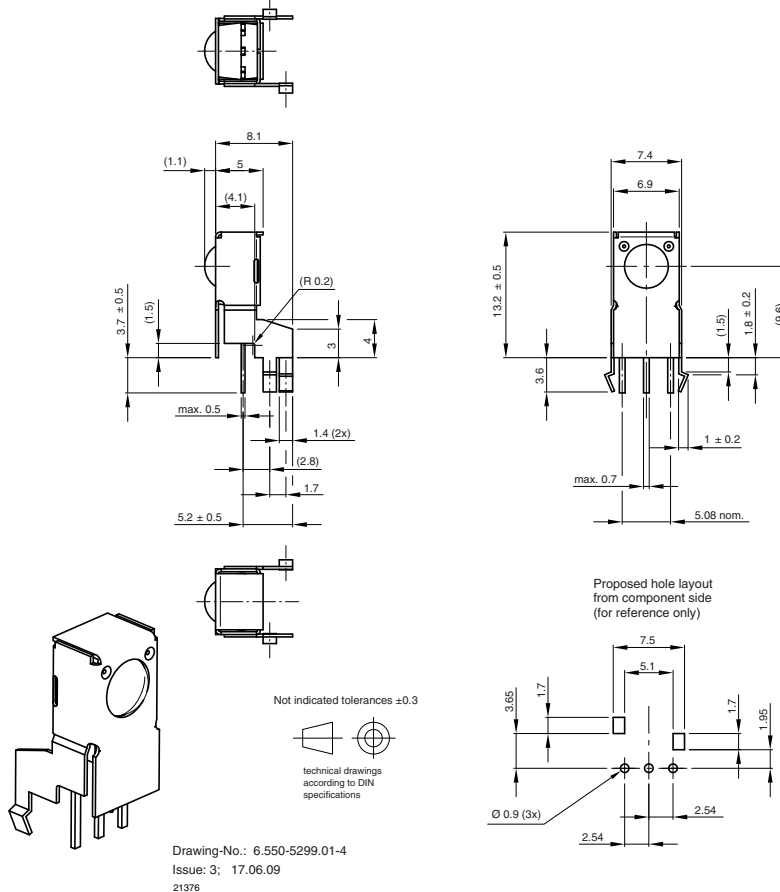
RoHS
COMPLIANT
HALOGEN
FREE
GREEN
(5-2008)

AVAILABLE FOR

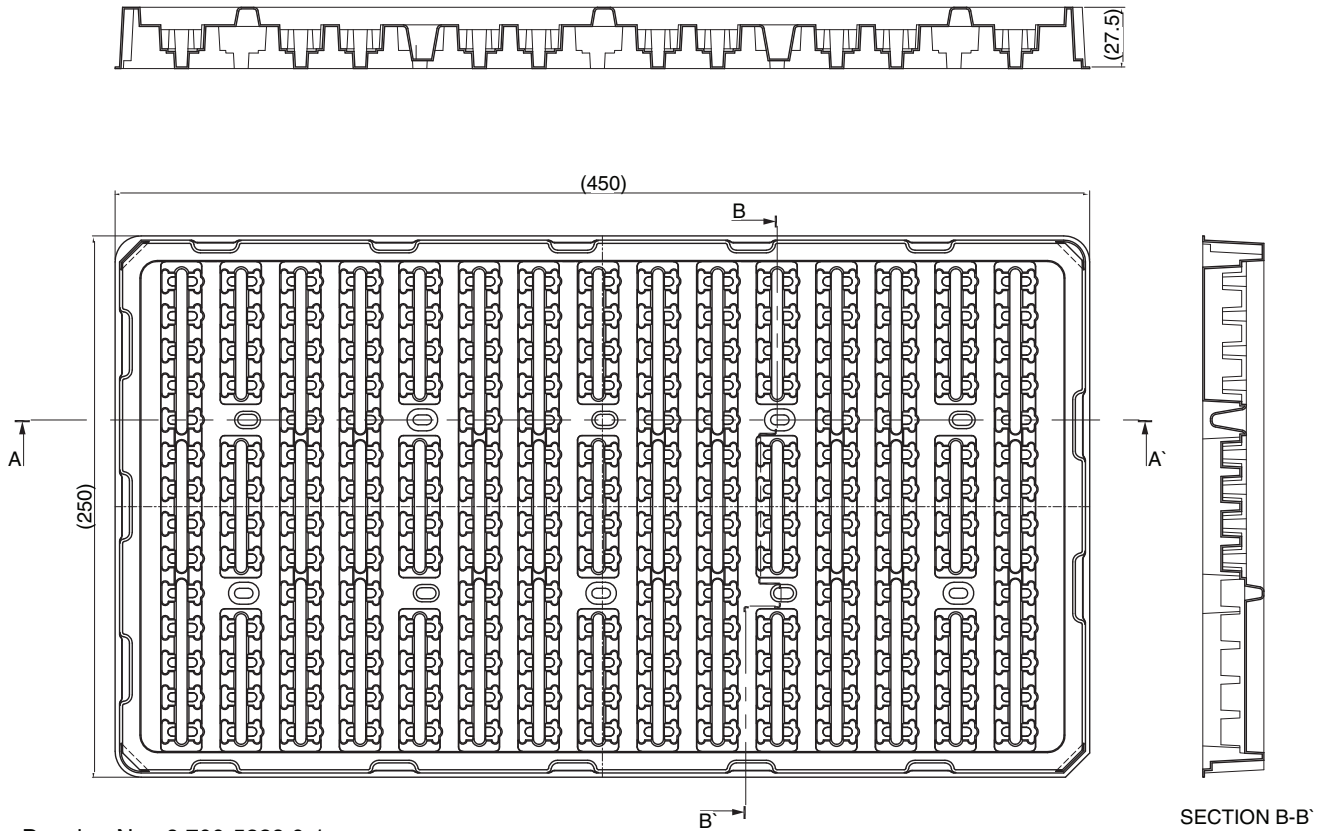
- Mold

NAME	LENS AXIS (X)	VIEW	TYPE	HEIGHT (H)	WIDTH (W)	DEPTH (D)
JK1	9.6	Side	Holder	13.2	7.4	9.2

MECHANICAL DIMENSIONS in millimeters

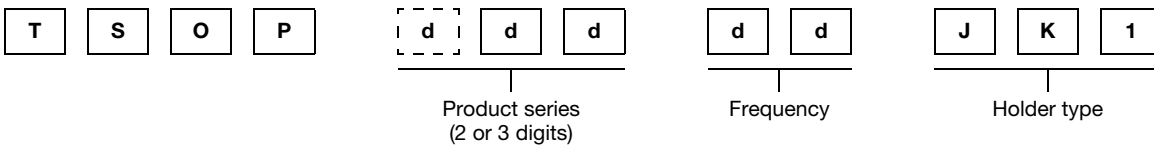


PACKAGING DIMENSIONS in millimeters



Drawing-No.: 9.700-5229.0-1
 Rev. 2; Date: 07.07.03
 20274-1

ORDERING INFORMATION



Note

- d = "digit", please consult the list of available series on the previous page to create a valid part number

Example: TSOP34838JK1

PACKING QUANTITY

- 200 pieces per tray
- 5 trays per carton

Vishay offers plastic and metal holder which have different characteristics:

- Plastic Pros: nearly invisible behind the bezel
- Plastic Cons: cannot be reflow soldered, wave soldering deforms the hooks (visual issue only, the part is secured by the leads after soldering)
- Metal Pros: may be reflow and wave soldered, improves EMI and RF rejection
- Metal Cons: appears shiny behind the bezel, will oxidize over time (visual issue only, the holder functionality is not impaired)