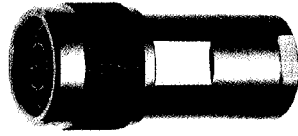
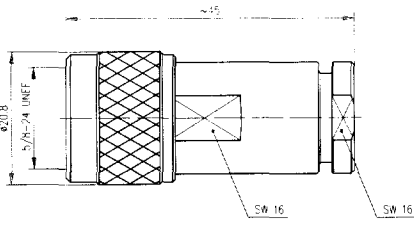


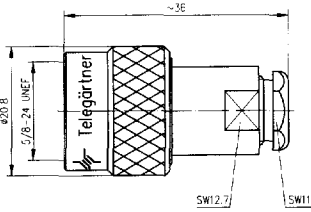
N-Steckverbindungen nach IEC Publ. 169-16

N Connectors according to IEC Publ. 169-16

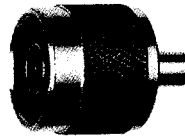
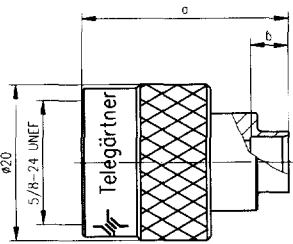
1 N-Kabelstecker N Straight Plug



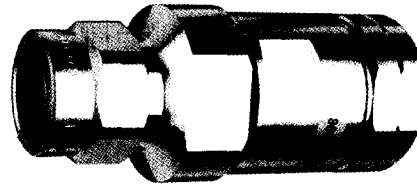
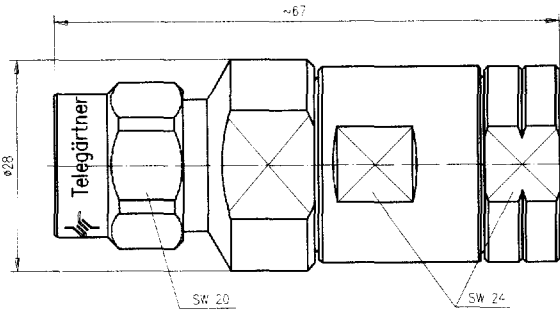
A



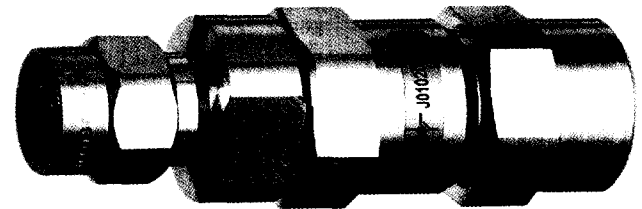
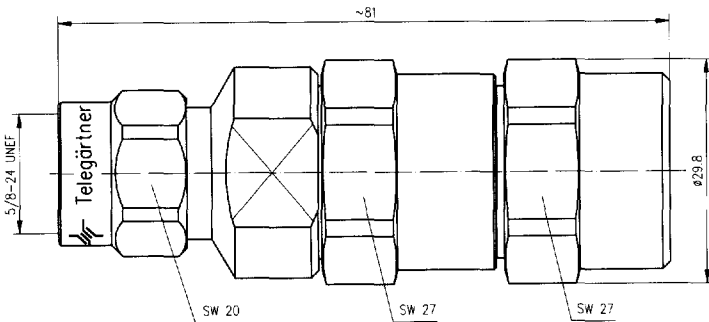
B



C



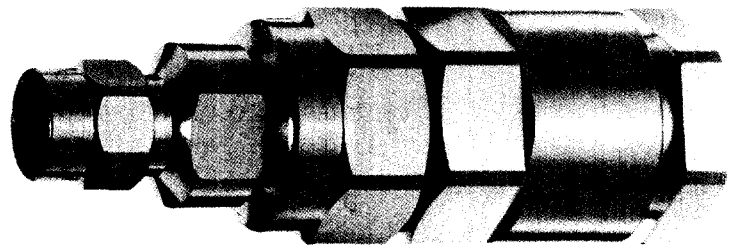
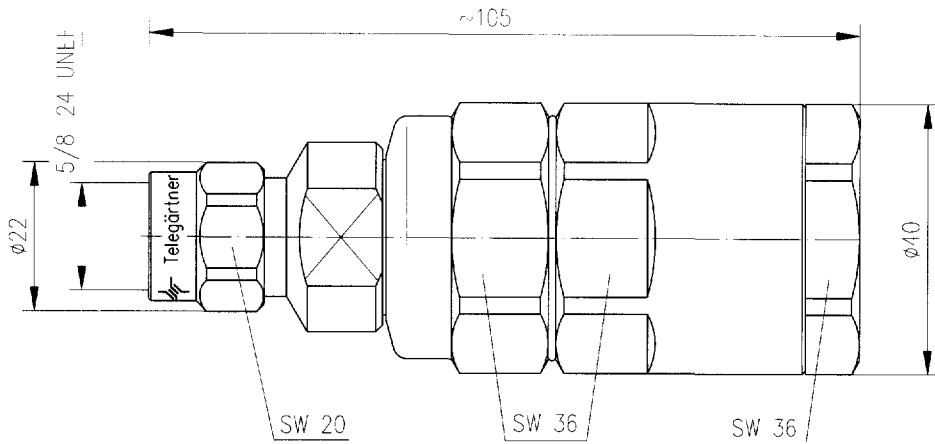
D



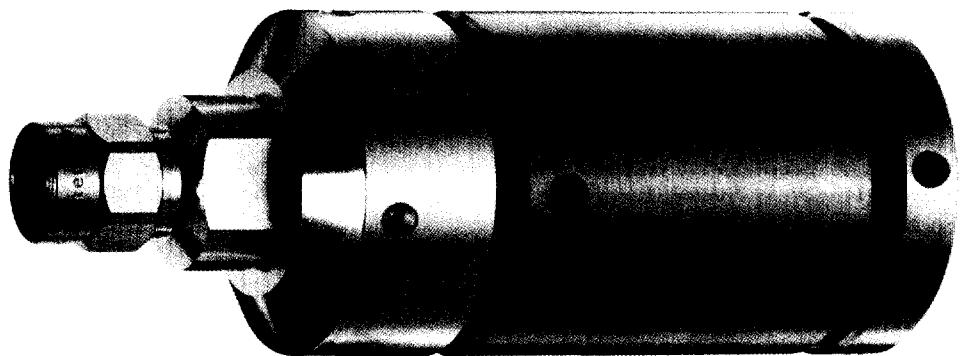
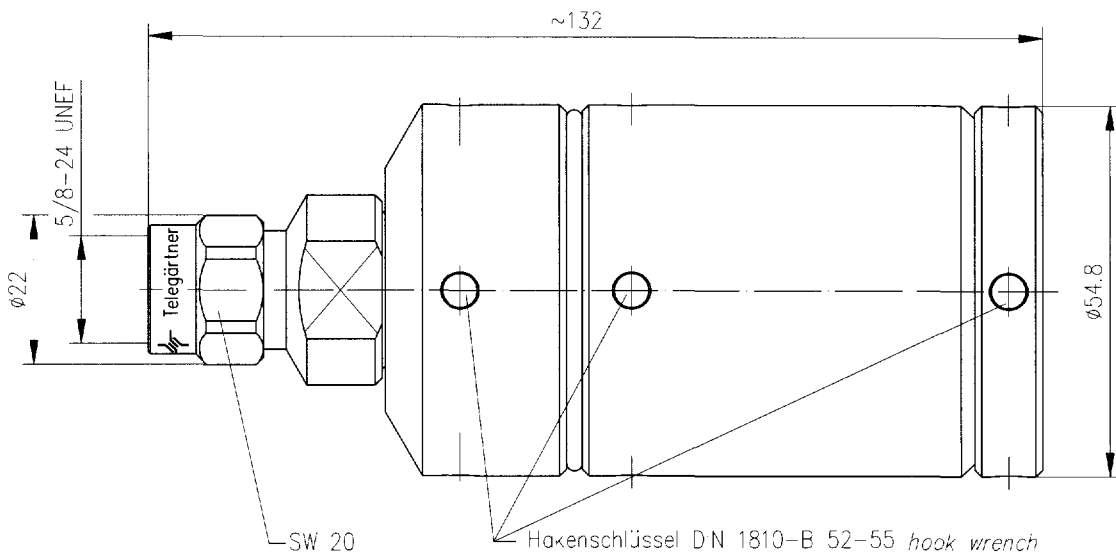
E

N-Steckverbindungen nach IEC Publ. 169-16

N Connectors according to IEC Publ. 169-16



F



G

Bestell-Nr. Order Nr.	Abb. Fig.	MIL-Std. MIL-Std.	Kabelgruppe (Beispiel) / Kabel Cable group (example) / cable	Montage Assembly	Anmerkungen Remarks	Abmessungen Dimensions
J01020H1070	A		RG-213/U; RG-214/U; 9880 Belden	B01	löt/klemm / solder/clamp	
J01020A0015	B		G7 (RG-316/U)	B02	löt/klemm / solder/clamp	
J01020A0016	B		G3 (RG-178B/U)	B02	löt/klemm / solder/clamp	
J01020B1276	B	UG-536A/U	G1 (RG-58C/U); G5 (RG-223/U)	B03	löt/klemm / solder/clamp	
J01020A0062	B		G9 (UT-250)	B49	löt/klemm / solder/clamp	
J01020A0109	C		G10 (UT-141)	B71		a=24.3, b=5
J01020A0112	C		G9 (RG-178B/U)	B72		a=26.4, b=4.4

N-Steckverbindungen nach IEC Publ. 169-16

N Connectors according to IEC Publ. 169-16

Bestell-Nr. Order Nr.	Abb. Fig.	MIL-Std. MIL-Std.	Kabelgruppe (Beispiel) / Kabel Cable group (example) / cable	Montage Assembly	Anmerkungen Remarks	Abmessungen Dimensions
J01020A0028	-		G36 (1/4")	B25	Standard	
J01020A0033	-		G20 (SCFFSJ\1/4")	B35	Standard	
J01020A0010	-		LCF 38-50 J	B29	Standard	
J01020A0031	-		LDF2-50 Andrew	B29	Standard	
J01020A0105	-		G23 (SCFFSJ\1/2")	B68	SIMFix Plus IP 68	
J01020A0098	D		G23 (SCFFSJ\1/2")	B65	SIMFix IP68	
J01020A0078	E		G21 (RFLDFLCF 12-50 J\ EupenLD\1/2")	B50	SIMFix	
J01020A0092	-		G21 (RFLDFLCF 12-50 J\ EupenLD\1/2")	B58	SIMFix Plus IP 68	
J01020A0079	-		G24 (RFLDFLCF 12-50 J\ EupenLD\7/8")	B51	SIMFix	
J01020A0093	F		G24 (RFLDFLCF 12-50 J\ EupenLD\7/8")	B59	SIMFix Plus IP 68	
J01020A0099	-		RFF 7/8"-50	B52	Kurz / Short	
J01020A0077	-		RFXT 7/8"-50	B53	SIMFix	
J01020A0085	-		G33 (RFLDFEupenGL\1 1/4")	B54	Standard	
J01020A0083	-		G26 (RFLDFLCF\ EupenLD1 5/8")	B55	Standard	
J01020A0094	G		G33 (RFLDFEupenGL\1 1/4")	B61	Plus Type IP 68	
J01020A0096	G		LCFS 114-50J	B61	Plus Type IP 68	
J01020A0087	-		LCFS 114-50J	B54	Standard	
J01020A0095	-		G26 (RFLDFLCF\ EupenLD1 5/8")	B60	Plus Type IP 68	

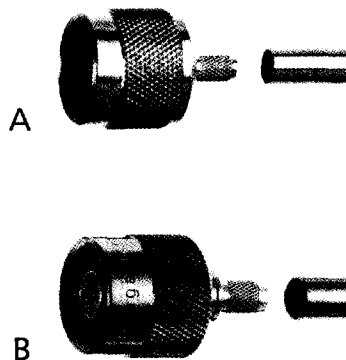
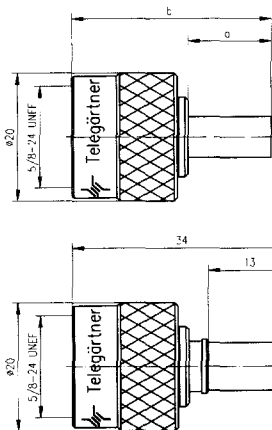
Detaillierte Angaben zu Steckverbinder für Wellmantelkabel finden Sie in unserer Broschüre "Verbindungskomponenten für Mobilfunk-Basisstationen".

Detailed information in connectors for corrugated cable is to be found in our brochure "Connection Components for Mobile Radio Base Stations".

Montagewerkzeuge für SIMFix-Steckverbinder siehe Kapitel 20.

Cutting tools for SIMFix connectors see chapter 20.

2 N-Kabelstecker Crimp N Straight Plug Crimp



Bestell-Nr. Order Nr.	Abb. Fig.	Kabelgruppe (Beispiel) / Kabel Cable group (example) / cable	Montage Assembly	Anmerkungen Remarks	Abmessungen Dimensions
J01020A0034	A	RG-393/U	B1612	löt/crimp / solder/crimp	a=13, b=35.5
J01020A0037	A	G1 (RG-58C/U)	B1905	crimp/crimp	a=13, b=31
J01020A0038	A	G5 (RG-223/U)	B1905	crimp/crimp	
J01020H1113	A	9880 Belden	B0212	crimp/crimp	a=15.5, b=38
J01020A1114	A	RG-214/U	B0212	crimp/crimp	a=13, b=35.5
J01020A1175	A	RG-213/U	B0212	crimp/crimp	a=14.5, b=37
J01020A0054	A	G37 (9913 Belden)	B1612	löt/crimp / solder/crimp	a=14.5, b=37
J01020A0103	A	G7 (RG-316/U)	B3116	crimp/crimp	a=9.5, b=27.5
J01020A0104	A	G8 (RD-316)	B3120	crimp/crimp	a=9.5, b=27.5
J01020A0053	B	G30 (TZC 500 25); H 155 Pope; LMR-240; Low Loss 1.4/3.8	B1906	crimp/crimp	