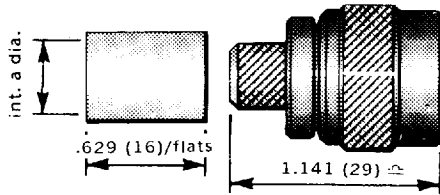


C

CRIMP TYPE FOR FLEXIBLE CABLE

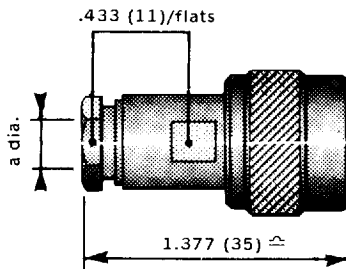
Straight plug



| | |
|---------------|--------------------|
| CABLE GROUP | 10/50 |
| PART NUMBER | R 166 075 ● |
| a Dia. | .417 (10.6) |
| Assembly code | M05 page 17 |

CABLE CLAMP TYPE FOR SEMI-RIGID CABLE

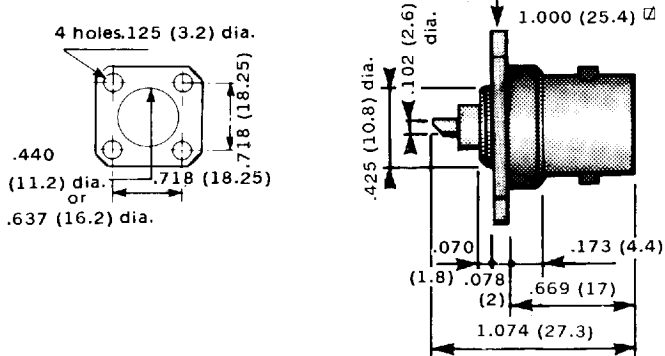
Straight plugs



| | | |
|---------------|--------------------|--------------------|
| CABLE GROUP | .141" | .250" |
| PART NUMBER | R 166 052 ● | R 166 053 ● |
| a Dia. | .143 (3.65) | .259 (6.6) |
| Assembly code | M06 page 18 | M07 page 18 |

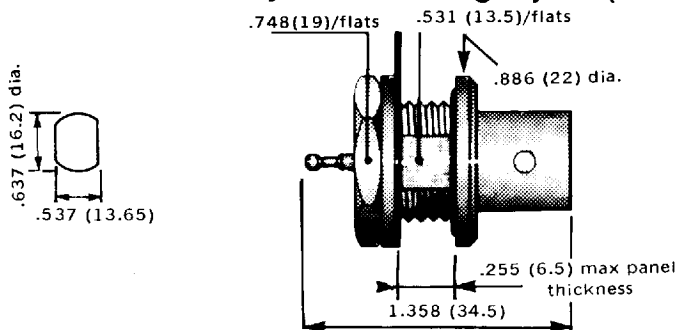
FLANGE AND BULKHEAD MOUNT RECEPTACLES

Square flange straight jack (solder pot)



| | |
|-------------|------------------|
| CABLE GROUP | R 166 404 |
| MIL (UG) | UG 568 /U |

Bulkhead hermetically sealed straight jack (solder pot)



| | |
|-------------|--------------------|
| PART NUMBER | R 166 607 ● |
|-------------|--------------------|

● Manufactured upon request. Please consult us.