

Temperature Compensated Crystal Oscillators (TCXO) Surface Mount Type TCXO (LSI Type) KT2520Y Series



2.5×2.0mm



Ph Free

RoHS Compliant

Features

- Ultra-miniature SMD type (2.5×2.0×0.9mm)
- AFC function available
- Frequency stability : $\pm 2.0 \times 10^{-6} / -30$ to $+85^\circ\text{C}$
- 2.3 to 3.5V drive available
- Reflow compatible

Applications

- 3G (CDMA, W-CDMA), GPRS, GSM

How to Order

KT2520Y 26000 D C W 28 T xx
① ② ③ ④ ⑤ ⑥ ⑦ ⑧

- ① Series
- ② Output Frequency
- ③ Frequency Tolerance

B	$\pm 1.0 \times 10^{-6}$
C	$\pm 1.5 \times 10^{-6}$
D	$\pm 2.0 \times 10^{-6}$

- ④ Lower Operating Temp.
- | | |
|---|---------------------|
| C | -30°C |
| E | -20°C |
| G | -10°C |

- ⑤ Upper Operating Temp.
- | | |
|---|---------------------|
| W | $+85^\circ\text{C}$ |
| V | $+80^\circ\text{C}$ |
| U | $+75^\circ\text{C}$ |

- ⑥ Supply Voltage
- | | | | |
|----|------|----|------|
| 28 | 2.8V | 30 | 3.0V |
|----|------|----|------|

- ⑦ Voltage Control Range
- | | |
|--------|----------------|
| TCXO | T |
| VCTCXO | Customer Spec. |

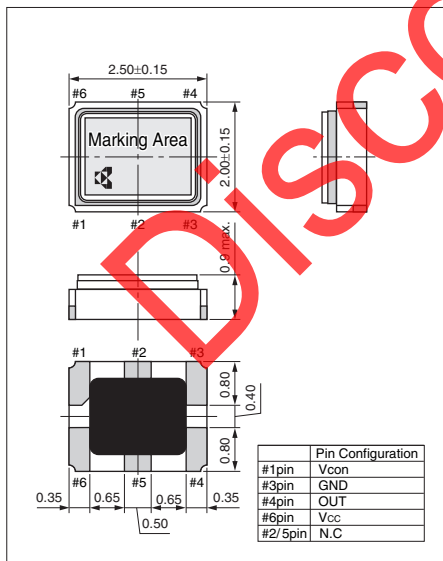
- ⑧ Option Code

Specifications

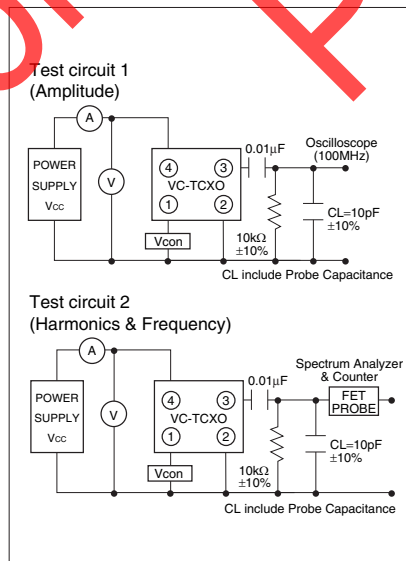
Item	Symbol	Conditions	Min.	Max.	Units
Output Frequency Range	Fo	Standard Frequency: 13, 19.2, 26, 38.4	13	40	MHz
Frequency Tolerance	F _{tol}	vs Temperature	-2	+2	$\times 10^{-6}$
		vs Load	-0.2	+0.2	
		vs Voltage	-0.3	+0.3	
Frequency Aging	F _{aging}	Per Year	-1	+1	$\times 10^{-6}$
Storage Temperature Range	T _{stg}		-40	+85	$^\circ\text{C}$
Operating Temperature Range	T _{use}		-30	+85	$^\circ\text{C}$
Voltage Control Range	F _{cont}	Positive	± 8	± 15	$\times 10^{-6}$
Supply Voltage	V _{cc}		2.3	3.5	V
Output Level	V _{pp}	10k ohm // 10pF	0.8	—	Vp-p
Current Consumption	I _{cc}		—	2	mA
Symmetry	SYM	@50% V _{cc}	40	60	%
Harmonics	—		—	-5	dBc

Dimensions

(Unit: mm)



Test Circuit



Recommended Land Pattern

(Unit: mm)

