

**SANYO Semiconductors****DATA SHEET**

LA1827M

Monolithic Linear IC
For Portable Radio/Cassette Recorders
Single-Chip Tuner IC

Overview

The LA1827M is a single-chip tuner IC for FM and AM with built-in MPX-VCO which requires no adjustment and no external parts.

Features

- Single-chip tuner with AM, FM-FE/FM-IF, MPX circuitry
- Built-in adjustment-free MPX-VCO (noceramic oscillator required)
- FM-DET, adjustment-free (using ceramic deicriminator)
- Reduced FM-FE oscillation level
- FM stereo indication and AM/FM tuning indication pins provided

Functions

- AM : RF amplifier, mixer, oscillator, IF amplifier, detector, AGC, tuning display output
- FM-FE : RF amplifier, mixer, oscillator
- FM-IF : IF amplifier, quadrature detector, signal strength meter, tuning display output
- MPX : PLL stereo decoder, stereo display output, forced mono, internal VCO

Specifications**Maximum Ratings** at Ta = 25°C

Parameter	Symbol	Conditions	Ratings	Unit
Maximum supply voltage	V _{CC} max		7.0	V
Indicator drive current	I _{LED}		20	mA
Allowable power dissipation	P _d max	Ta ≤ 70°C	250	mW
Operating temperature	T _{opr}		-20 to +70	°C
Storage temperature	T _{stg}		-40 to +125	°C

■ Any and all SANYO Semiconductor Co.,Ltd. products described or contained herein are, with regard to "standard application", intended for the use as general electronics equipment (home appliances, AV equipment, communication device, office equipment, industrial equipment etc.). The products mentioned herein shall not be intended for use for any "special application" (medical equipment whose purpose is to sustain life, aerospace instrument, nuclear control device, burning appliances, transportation machine, traffic signal system, safety equipment etc.) that shall require extremely high level of reliability and can directly threaten human lives in case of failure or malfunction of the product or may cause harm to human bodies, nor shall they grant any guarantee thereof. If you should intend to use our products for applications outside the standard applications of our customer who is considering such use and/or outside the scope of our intended standard applications, please consult with us prior to the intended use. If there is no consultation or inquiry before the intended use, our customer shall be solely responsible for the use.

■ Specifications of any and all SANYO Semiconductor Co.,Ltd. products described or contained herein stipulate the performance, characteristics, and functions of the described products in the independent state, and are not guarantees of the performance, characteristics, and functions of the described products as mounted in the customer's products or equipment. To verify symptoms and states that cannot be evaluated in an independent device, the customer should always evaluate and test devices mounted in the customer's products or equipment.

SANYO Semiconductor Co., Ltd.

TOKYO OFFICE Tokyo Bldg., 1-10, 1 Chome, Ueno, Taito-ku, TOKYO, 110-8534 JAPAN

Operating Conditions at Ta = 25°C

Parameter	Symbol	Conditions	Ratings	Unit
Recommended supply voltage	V _{CC}		3.0	V
Operating supply voltage range	V _{CC op}		1.8 to 6.0	V

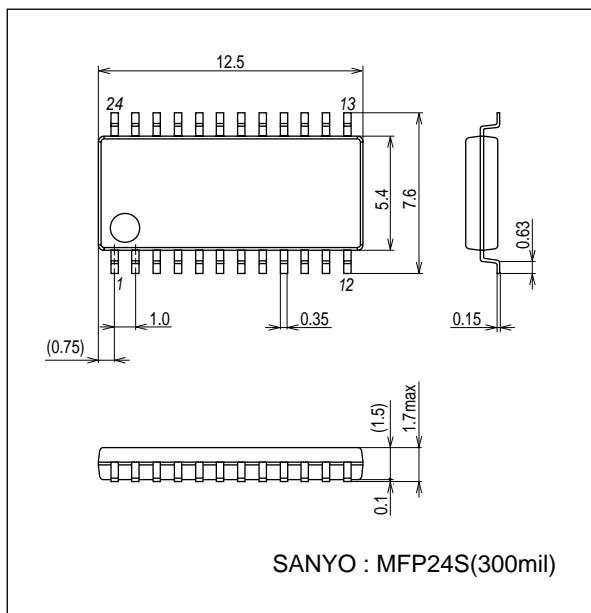
Electrical Characteristics at Ta = 25°C, V_{CC} = 3.0V, in specified test circuit, using Yamaichi Electronics socket IC-51-0242-543

Parameter	Symbol	Conditions	Ratings			Unit
			min	typ	max	
FM-FE characteristics fc = 98MHz, fm = 1kHz, 30% mod.						
Local oscillator voltage	V _{OSC}	No input, f _{OSC} = 108.7MHz, pin 20 output *Measured with FET buffer (-10dB gain)	35	70	140	mVrms
3dB sensitivity	3dB LS	60dBμ, 30% mod. output, -3dB input		13		dBμ
Effective sensitivity	Qs	Input for S/N = 30dB		15		dBμ
FM-IF monaural characteristics fc = 10.7MHz, fm = 1kHz, 100% mod.						
Quiescent current	I _{CCO} (FM)	No input	8	16	23	mA
Demodulator output	V _O	100dBμ, pin 16 output	120	160	215	mVrms
Signal-to-noise ratio	S/N	100dBμ, pin 16 output	63	71		dB
Total harmonic distortion (mono)	THD	100dBμ, pin 16 output		0.5	1.5	%
3dB sensitivity	3dB LS	100dBμ, 100% mod. output, -3dB input		35	42	dBμ
TU-LED sensitivity	SD-ON	No modulation		45		dBμ
FM-IF stereo characteristics fc = 10.7MHz, fm = 1kHz, L + R = 90%, pilot = 10%						
Separation	SEP	100dBμ, L-mod, pin 16/pin 17 output	25	40		dB
ST-LED sensitivity	ST-ON	100dBμ, pilot modulation for pin 8 voltage < 0.5V	1.5	3.5	6.3	%
Total harmonic distortion (main)	THD	100dBμ, main modulation, pin 16 output		0.5	1.5	%
AM characteristics fc = 1000kHz, fm = 1kHz, 30% mod.						
Quiescent current	I _{CCO} (AM)	No input	4	7	12	mA
Demodulator output	V _{O1}	23dBμ, pin 16 output	12	25	40	mVrms
	V _{O2}	80dBμ, pin 16 output	52	78	117	mVrms
Signal-to-noise ratio	S/N1	23dBμ, pin 16 output	15	20		dB
	S/N2	80dBμ, pin 16 output	47	53		dB
Total harmonic distortion	THD	80dBμ, pin 16 output		0.5	1.5	%
TU-LED sensitivity	SD-ON	No modulation		30		dBμ

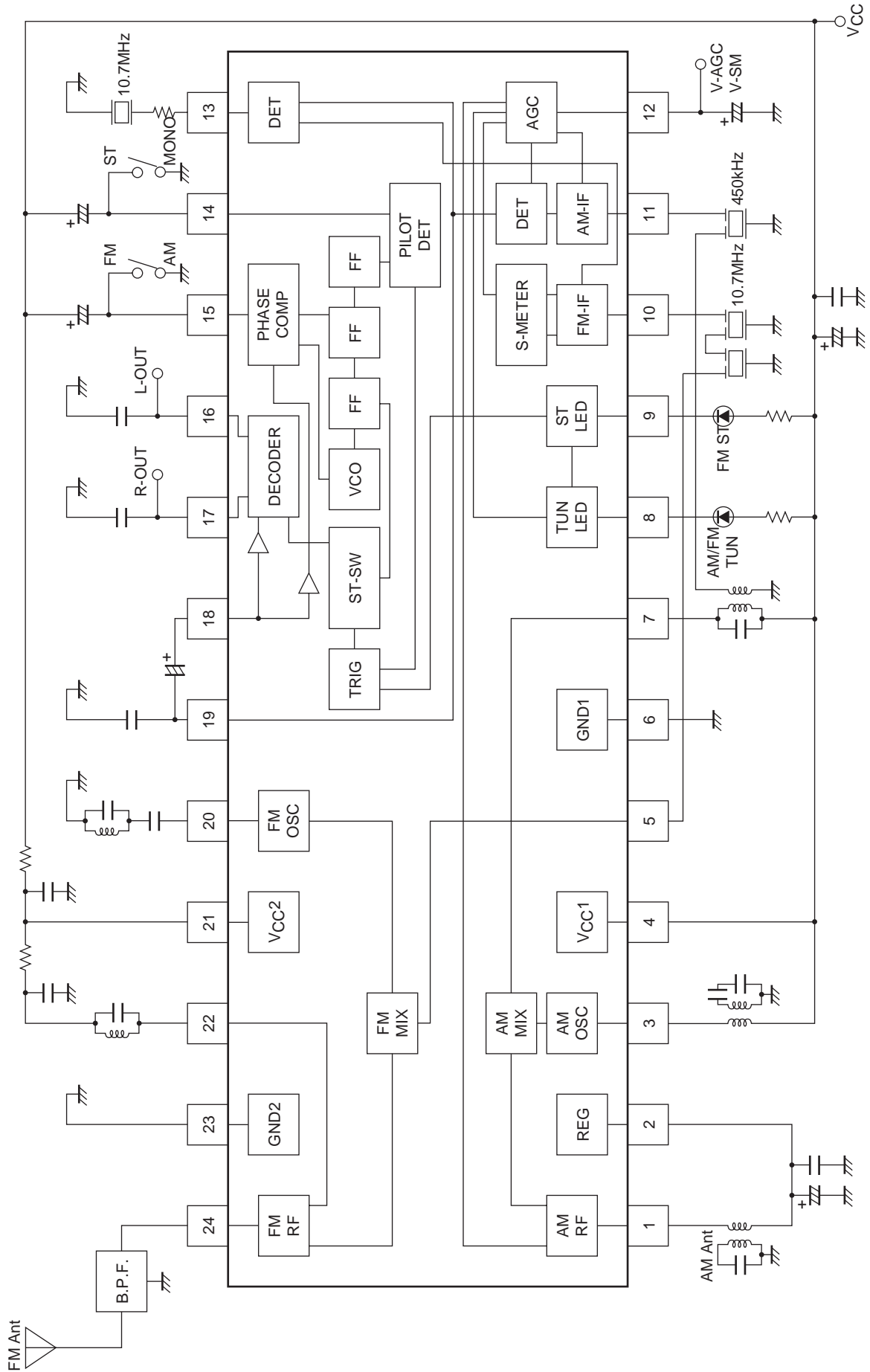
Package Dimensions

unit : mm (typ)

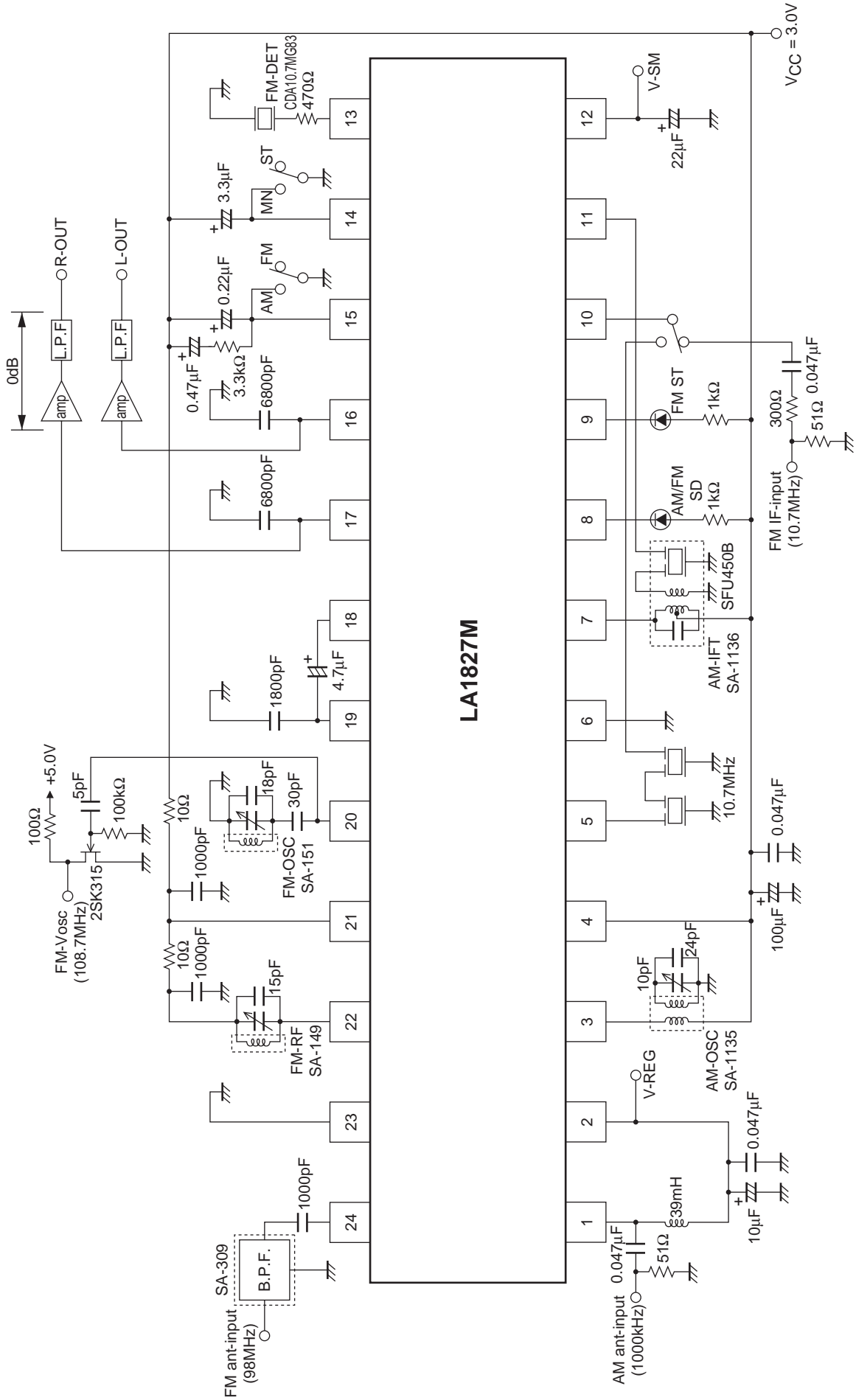
3112B



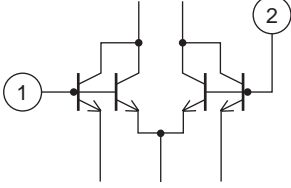
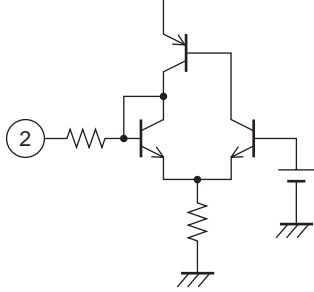
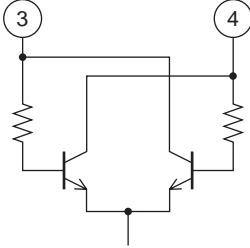
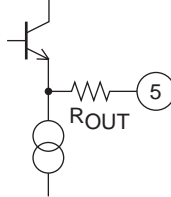
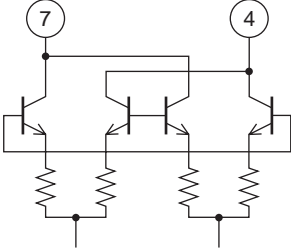
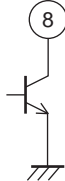
Block Diagram



Test Circuit



Pin Description and Quiescent Voltage at $V_{CC} = 3.0V$

Pin No.	Pin function	Quiescent voltage (V)		Description	Equivalent circuit
		AM	FM		
1	AM RF input	1.2	1.2	AM antenna coil connected between pins 1 and 2 (reg).	
2	Reg	1.2	1.2		
3	AM-OSC	3.0	3.0	Oscillator coil connected between pins 3 and 4 (V_{CC1}).	
4	V_{CC1}	3.0	3.0	AM/FM-IN/MPX block V_{CC}	
5	FM mixer output	1.4	1.2	$R_{OUT} = 270\Omega$	
6	GND1	0	0	AM/FM-IN/MPX section ground	
7	AM mixer output	3.0	3.0	Mixer coil connected between pins 7 and 4 (V_{CC1}).	
8	Tu-LED output	3.0	3.0	Active low Open-collector output can directly drive LED ($I_C \text{ max} = 20\text{mA}$)	

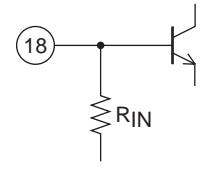
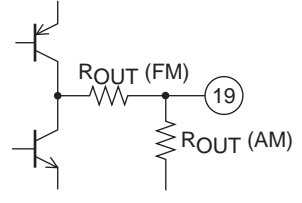
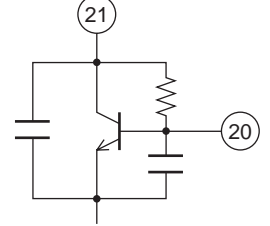
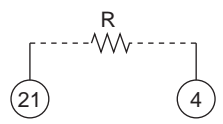
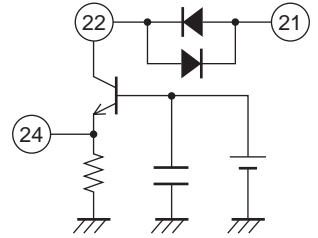
Continued on next page.

Continued from preceding page.

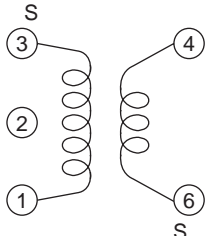
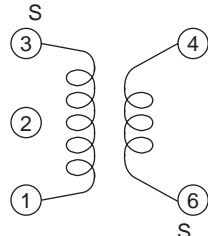
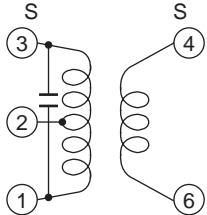
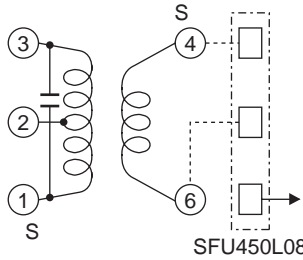
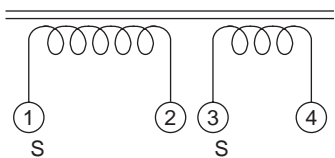
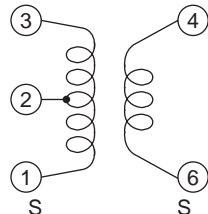
Pin No.	Pin function	Quiescent voltage (V)		Description	Equivalent circuit
		AM	FM		
9	ST-LED output and AM-IF output	3.0	3.0	Active low Open-collector output can directly drive LED ($I_C \text{ max} = 20\text{mA}$) In AM operation, AM-IF signal (450kHz) is output here.	
10	FM-IF input	1.2	1.2	$R_{IN} = 330\Omega$	
11	AM-IF input	1.2	1.2	$R_{IN} = 2k\Omega$	
12	AM-AGC output and FM S meter output	0.5	0.1	Internal load resistance $R = 16.6k\Omega$	
13	FM detector	2.4	2.2	Recommended ceramic discriminator CDF107F-AE-019 (Toko) CDA10.7MG83 (Murata)	
14	Pilot tone detector filter and forced mono switching	1.7	2.3	Mono mode is forced on by connecting pin 14 to ground.	
15	Phase comparator filter and AM/FM switching	0	2.3	FM reception mode is enabled when pin 15 is open. AM reception mode is enabled when pin 15 is connected to ground.	
16 17	L output R output	1.2	1.2	$R_{OUT} = 7.5k\Omega$	

Continued on next page.

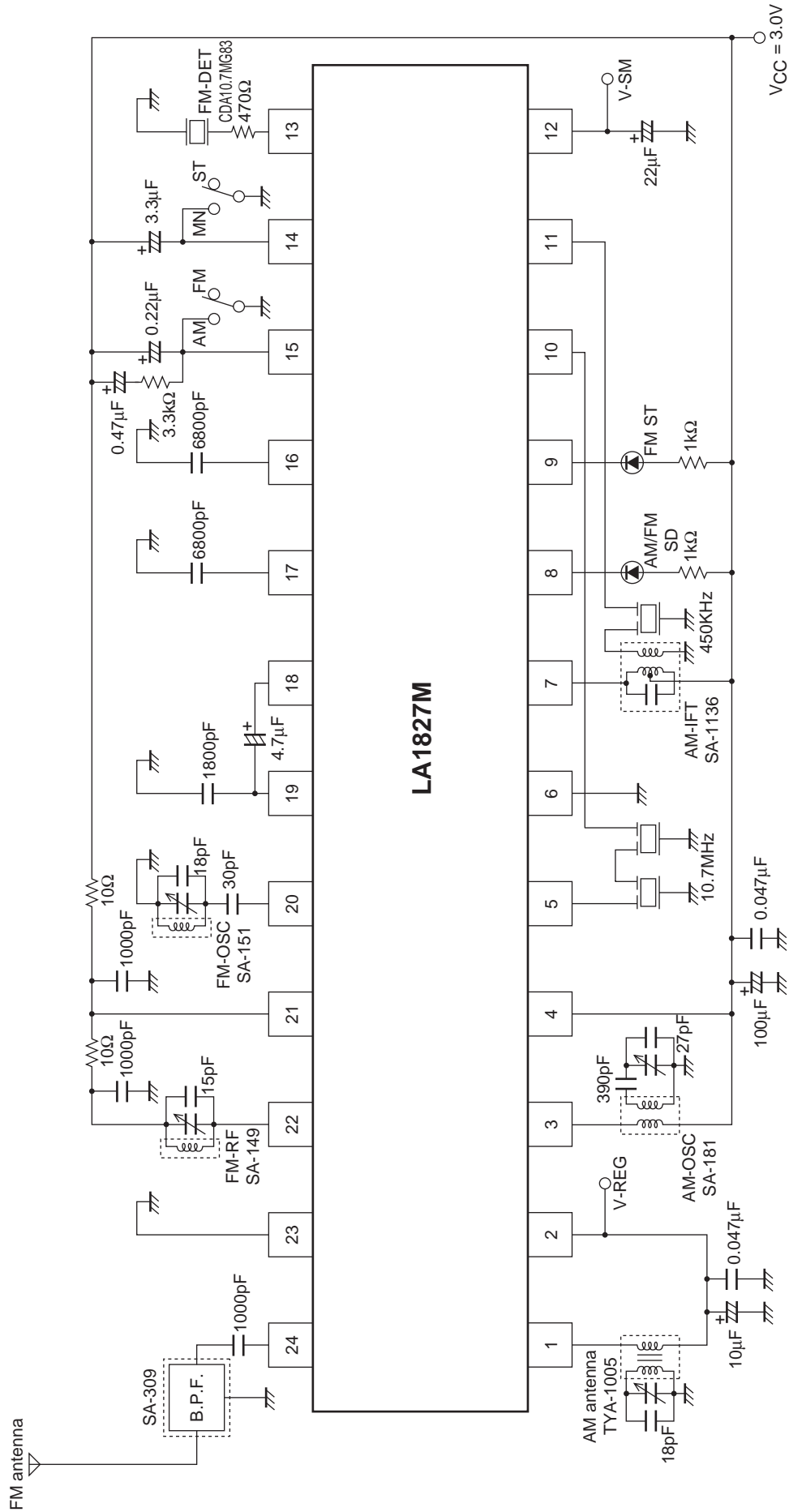
Continued from preceding page.

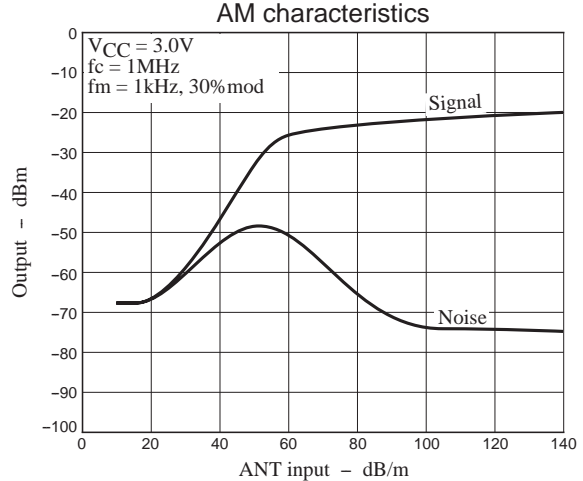
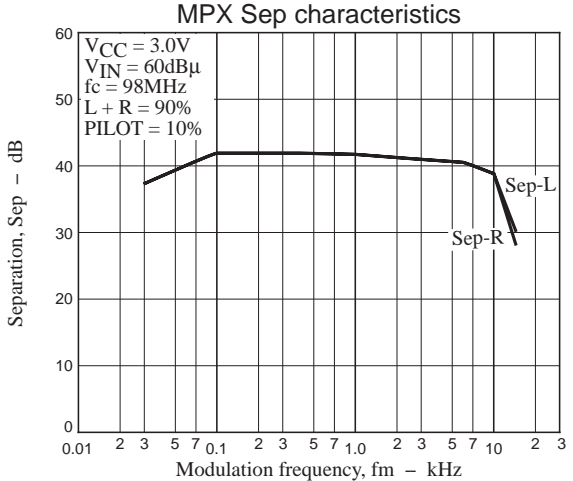
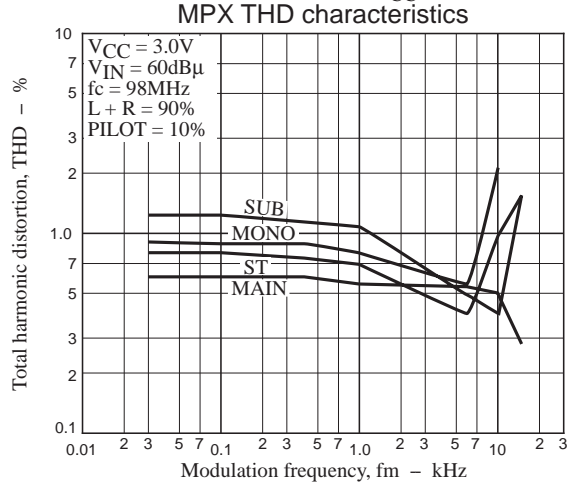
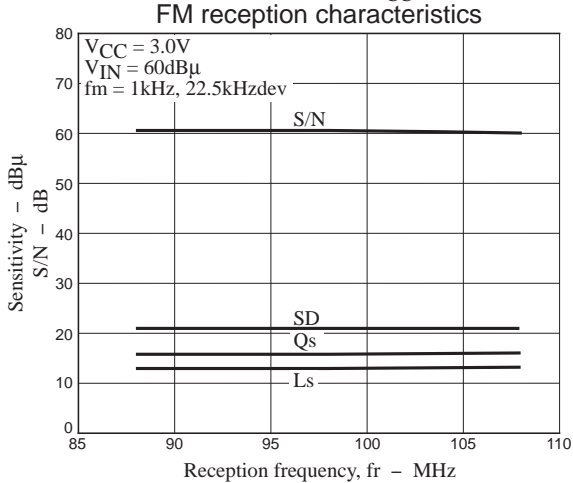
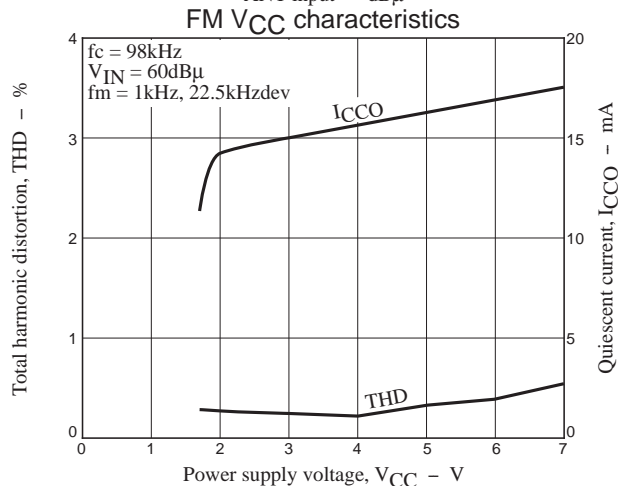
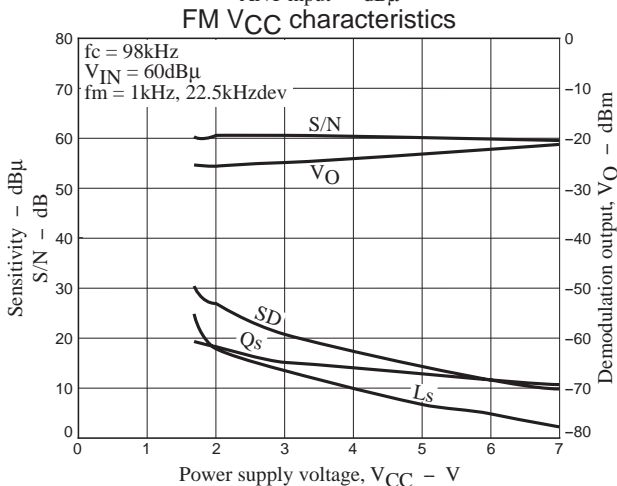
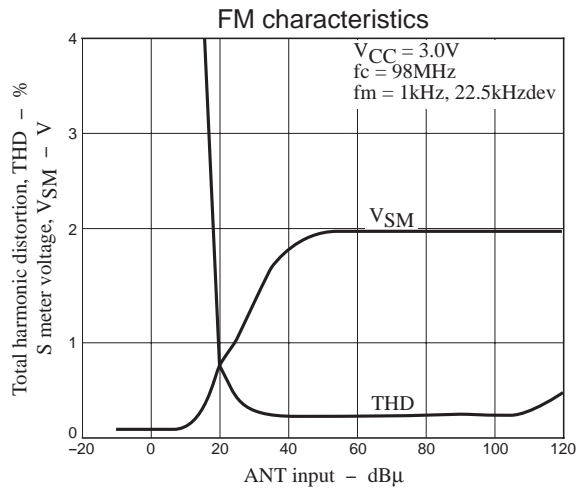
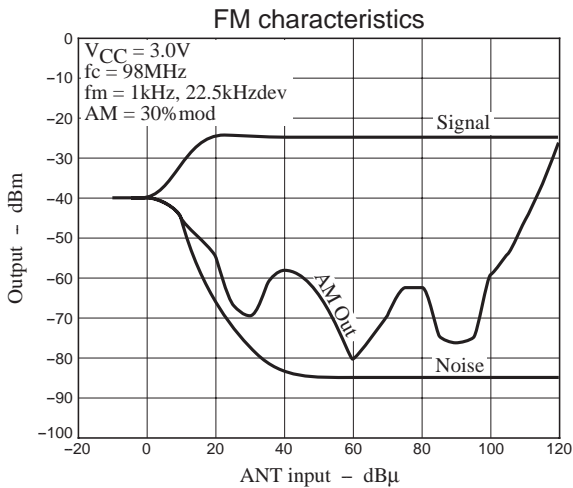
Pin No.	Pin function	Quiescent voltage (V)		Description	Equivalent circuit
		AM	FM		
18	MPX input	1.2	1.2	$R_{IN} = 50k\Omega$	
19	FM detector output and AM detector output	0.4	1.2	Output impedance AM : $R_{OUT} = 50k\Omega$ FM : $R_{OUT} = 500\Omega$ Capacitance between pin 19 and ground should be optimized for the best separation characteristics.	
20	FM-OSC	3.0	2.9	Colpitts oscillator circuit FM oscillator coil is connected to pin 20.	
21	V _{CC2}	3.0	2.9	FM-FE block V _{CC} Power is supplied from pin 4 (V _{CC1}) via external resistor (10Ω).	
22	FM-RF output	3.0	2.9	FM RF coil is connected between pins 22 and 21 (V _{CC2}).	
24	FM-RF input	0	0.8	$R_{IN} = 1.8k\Omega$	
23	GND2	0	0	FM-FE block ground	

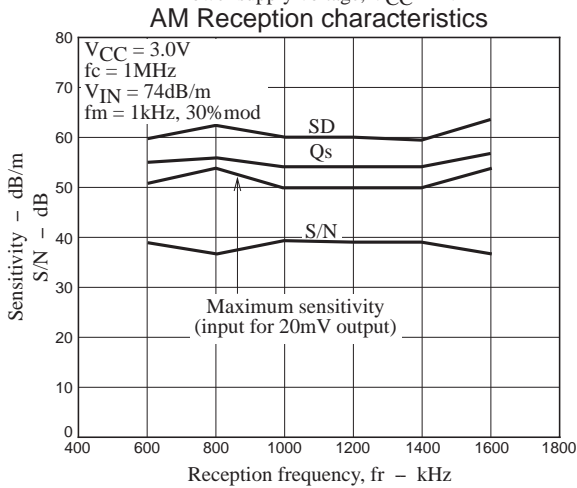
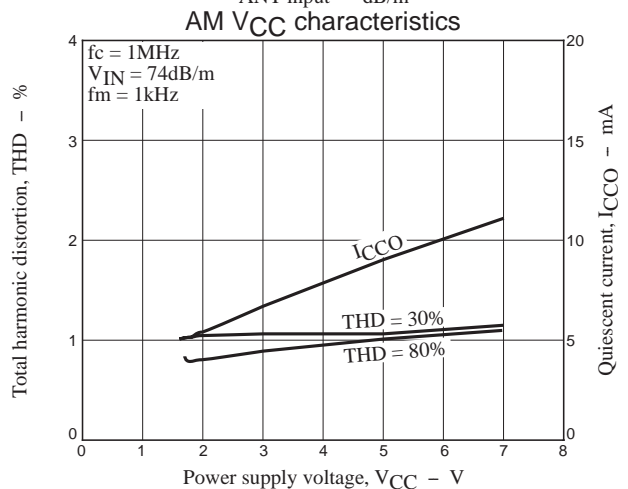
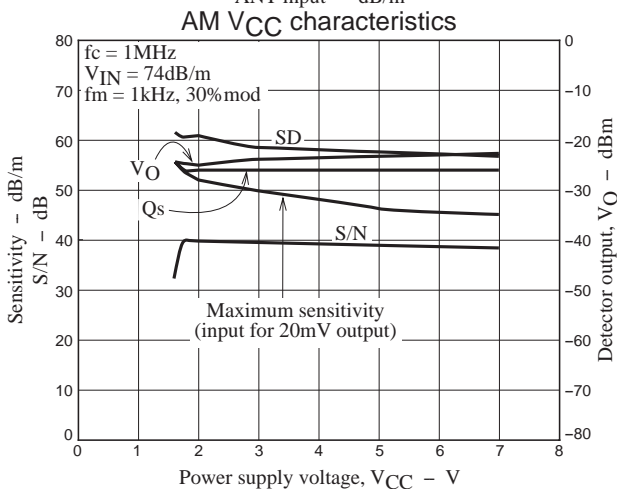
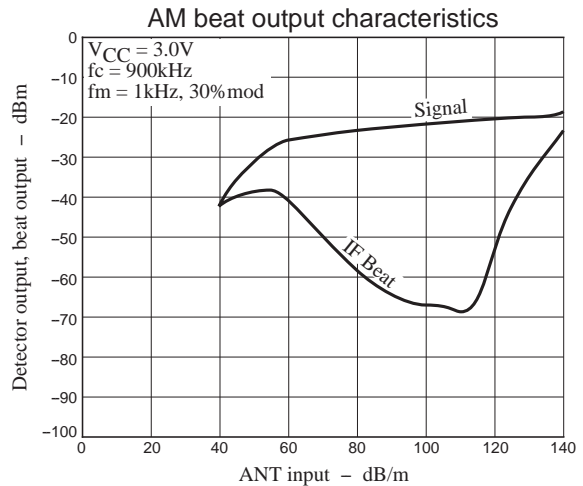
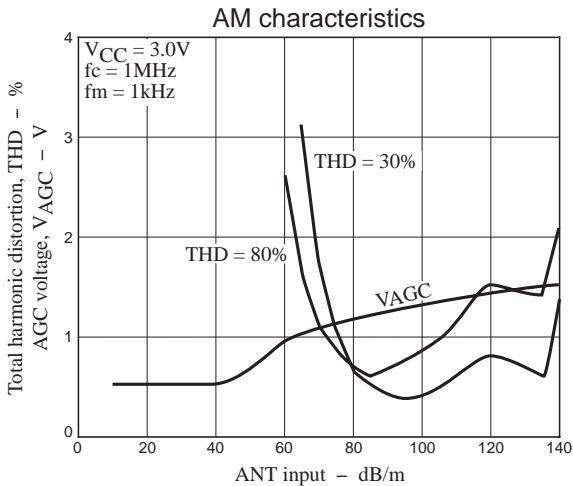
Coil specifications (bottom view)

<p>•FM-BPF : SA-309 (Sumida) 88 to 108MHz</p>	
<p>•FM-RF : SA-149 (Sumida) 3.6mm dia., air core, 0.6mm wire, 4 1/2 T</p>	
<p>•FM-OSC : SA-151 (Sumida) 3.6mm dia., air core, 0.6mm wire, 3 1/2 T</p>	
<p>•FM-IF filter, discriminator : SK107M1-AE-10, CDF107F-AE-019, $R_s = 510\Omega$ (Toko) SFE10.7MA5, CDA10.7MG83, $R_s = 470\Omega$ (Murata)</p>	
<p>•AM-OSC : SA-181 (Sumida)</p>  <p>6-4 37T 3-1 74T 0.06UEW $f_o = 796\text{kHz}$ $Q_o \geq 80$ $L = 140\mu\text{H}$</p>	<p>•L7BRS-3132AQ (Toko)</p>  <p>3-1 64T 6-4 32T 0.06 2UEW $f_o = 796\text{kHz}$ $Q_o \geq 65$ $L = 140\mu\text{H}$</p>
<p>•AM-IFT : SA-1136 (Sumida)</p>  <p>3-2 122T 4-6 9T 2-1 62T 0.06UEW $f_o = 450\text{kHz}$ $Q_o \geq 65$ With 180pF internal capacitor</p>	<p>•PCFAZ-082 (Toko)</p>  <p>1-2 47T 2-3 100T 4-6 12T $f_o = 450\text{kHz}$ With 180pF internal capacitor With AM-IF filter</p>
<p>•AM-IF filter : SFU450B (Murata)</p>	
<p>•Poly-varicon : FT-2217 (Toko) PVC-22KTL (Mitsumi)</p>	<p>•MW bar antenna : TYA-1005 (Mitsumi)</p>  <p>1-2 68T 3-4 9T $f_o = 796\text{kHz}$ $Q_o \geq 230$ $L = 260\mu\text{H}$</p>
<p>For DUT PCB</p>	
<p>•FM-Discriminator : CDA10.7MG1-B (Murata)</p>	<p>•AM-OSC : SA-1135 (Sumida)</p>  <p>1-2 58T 4-6 7T 2-3 94T 0.06UEW $f_o = 796\text{kHz}$ $Q_o \geq 80$ $L = 270\mu\text{H}$</p>

Sample Application Circuit







- SANYO Semiconductor Co.,Ltd. assumes no responsibility for equipment failures that result from using products at values that exceed, even momentarily, rated values (such as maximum ratings, operating condition ranges, or other parameters) listed in products specifications of any and all SANYO Semiconductor Co.,Ltd. products described or contained herein.
- SANYO Semiconductor Co.,Ltd. strives to supply high-quality high-reliability products, however, any and all semiconductor products fail or malfunction with some probability. It is possible that these probabilistic failures or malfunction could give rise to accidents or events that could endanger human lives, trouble that could give rise to smoke or fire, or accidents that could cause damage to other property. When designing equipment, adopt safety measures so that these kinds of accidents or events cannot occur. Such measures include but are not limited to protective circuits and error prevention circuits for safe design, redundant design, and structural design.
- In the event that any or all SANYO Semiconductor Co.,Ltd. products described or contained herein are controlled under any of applicable local export control laws and regulations, such products may require the export license from the authorities concerned in accordance with the above law.
- No part of this publication may be reproduced or transmitted in any form or by any means, electronic or mechanical, including photocopying and recording, or any information storage or retrieval system, or otherwise, without the prior written consent of SANYO Semiconductor Co.,Ltd.
- Any and all information described or contained herein are subject to change without notice due to product/technology improvement, etc. When designing equipment, refer to the "Delivery Specification" for the SANYO Semiconductor Co.,Ltd. product that you intend to use.
- Information (including circuit diagrams and circuit parameters) herein is for example only; it is not guaranteed for volume production.
- Upon using the technical information or products described herein, neither warranty nor license shall be granted with regard to intellectual property rights or any other rights of SANYO Semiconductor Co.,Ltd. or any third party. SANYO Semiconductor Co.,Ltd. shall not be liable for any claim or suits with regard to a third party's intellectual property rights which has resulted from the use of the technical information and products mentioned above.

This catalog provides information as of June, 2009. Specifications and information herein are subject to change without notice.