

| | | | | | | | | |
|--------|----------|--|-----------|------|---|------|----------|---------|
| DISK # | DWG SIZE | DATA CONTAINED IN THIS DOCUMENT IS PROPRIETARY TO TROMPETER ELECTRONICS INC. AND SHALL NOT BE DISCLOSED, COPIED OR USED FOR PROCUREMENT OR MANUFACTURE WITHOUT EXPRESS WRITTEN PERMISSION. | REVISIONS | | 3-0112 | SH 1 | | |
| H 6 | C | | REV | EO | DESCRIPTION | DWN | APPROVED | DATE |
| | | | H | 9320 | -7, -23, -24A, -25A, -26, -32, -33, -42, -43, -56, -57, -59, -60, -64, ASSY INSTRUCTIONS WAS TAI-104; & GENL UPDATE | DKC | B.M. | 5/29/91 |

| DASH NO | CABLES ACCOMMODATED | ASSEMBLE PER |
|---------|--|--------------|
| -7 | TRC-50-2/TRC-75-2 | TAI-189 |
| -9 | TWC-78-2/TWC-124-2 | TAI-102 |
| -23 | 250-3884, MICRODOT | TAI-189 |
| -24 | 202-3934, MICRODOT | TAI-102 |
| -24A | 9530A5117, RAYCHEM | TAI-189 |
| -25 | T-43M GENERAL | TAI-102 |
| -25A | 5021H5331, RAYCHEM | TAI-189 |
| -26 | 7028A5518, RAYCHEM | |
| -27 | 202-3927, MICRODOT | TAI-102 |
| -29 | TWC-78-1/TWC-124-1A | |
| -30 | 761A, W.E.CO./8441, BELDEN | TAI-189 |
| -32 | TRC-50-1 | |
| -33 | TRC-75-1 | |
| -42 | 21-204, ESSEX 4463, CONSOLIDATED | TAI-102 |
| -43 | 250-4044/250-4045 293-3930, MICRODOT | |
| -45 | M27500-22TE2T14 1100-66F, STANDARD | TAI-189 |
| -47 | M17/176-00002 | |
| -49 | TWAC-78-1F2 | TAI-102 |
| -55 | 89272, BELDEN | |
| -56 | GC8756C1, GRUMMAN | TAI-189 |
| -57 | GC8756B1, GRUMMAN | |
| -58 | GC875TM24H, GRUMMAN | TAI-102 |
| -59 | GC875LN1, GRUMMAN | |
| -60 | M17/177, THERMATICS 380-10045, BOEING | TAI-189 |
| -64 | 7528A5314, RAYCHEM | |

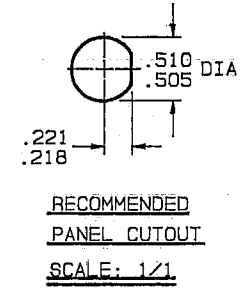


FIG 1
-7 SHOWN

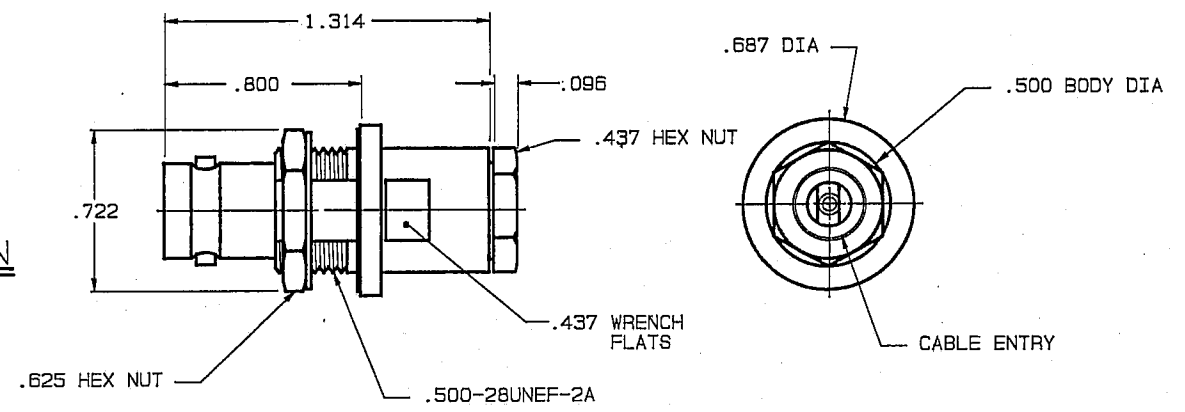
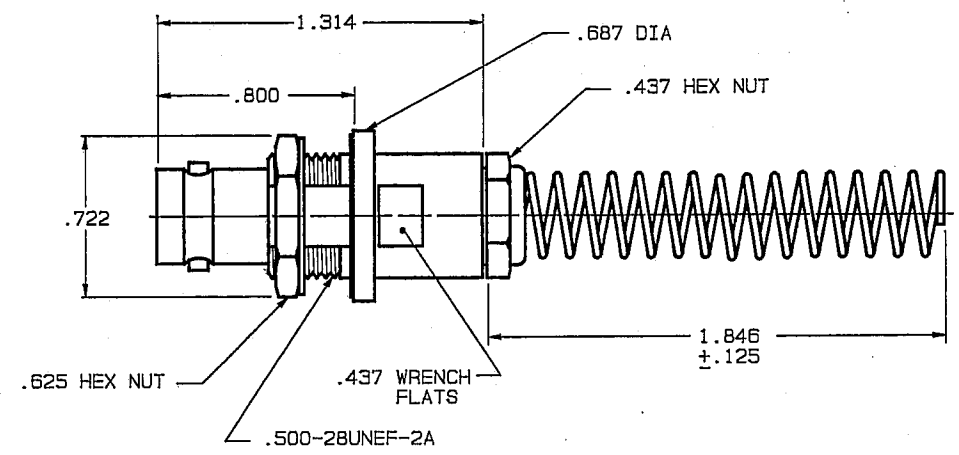


FIG 2 \triangle
-7 SHOWN



| CABLE ENTRY | | | |
|-------------|------|---------|------|
| DASH NO | DIA | DASH NO | DIA |
| -7 | .274 | -33 | .217 |
| -9 | .285 | -42 | .300 |
| -23 | .183 | -43 | .200 |
| -24 | .191 | -45 | .183 |
| -24A | .200 | -47 | .164 |
| -25 | .285 | -49 | .132 |
| -25A | .285 | -55 | .250 |
| -26 | .183 | -56 | .191 |
| -27 | .145 | -57 | .191 |
| -29 | .191 | -58 | .198 |
| -30 | .235 | -59 | .198 |
| -32 | .191 | -60 | .217 |

| INCH | MM | INCH | MM |
|------|------|-------|-------|
| .005 | 0.13 | .274 | 6.96 |
| .096 | 2.44 | .285 | 7.24 |
| .125 | 3.18 | .300 | 7.62 |
| .132 | 3.35 | .437 | 11.10 |
| .145 | 3.68 | .500 | 12.70 |
| .160 | 4.06 | .505 | 12.83 |
| .164 | 4.17 | .510 | 12.95 |
| .183 | 4.65 | .625 | 15.88 |
| .191 | 4.85 | .687 | 17.45 |
| .198 | 5.03 | .722 | 18.34 |
| .200 | 5.08 | .800 | 20.32 |
| .217 | 5.51 | 1.314 | 33.38 |
| .218 | 5.54 | 1.846 | 46.89 |
| .221 | 5.61 | | |
| .235 | 5.97 | | |

- \triangle IF BEND RELIEF SPRING REQD ADD SUFFIX "BR" TO MODEL NO (SEE FIG 2)
- CONCENTRIC TWINAX/TRIAX 2-LUG TRB BULKHEAD MOUNT CABLE RECEPTACLE
 - MAX PANEL THK .160
 - FINISH: TFS-1A (NICKEL)
 - ALL DIM ARE IN INCHES

RED INDICATES ORIGINAL

| | | | |
|---|------------------------------------|-----------------|--------------|
| QTY | DESCRIPTION | PART NUMBER | ITEM |
| TOL UNLESS SPECIFIED .XX ± .XXX ± .005 .XXXX ± ANGLES ± | TROMPETER ELECTRONICS, INC. | BJ79TL/BJ79TLBR | |
| DWN | DKC | 5-14-91 | MATERIAL |
| CHK | B.M. | 5-27-91 | CODE IDENT |
| 305-0515 | ENGR | | DRAWING NO. |
| NEXT ASSY | APPR | 5-27-91 | 14949 |
| | | | 3-0112 |
| | | | H |
| | | SCALE 2/1 | DATE 4-26-84 |
| | | | SHEET 1 OF 2 |