

## GPO Between Series Adapters

### GPO Male to SMA Jack Thread-in

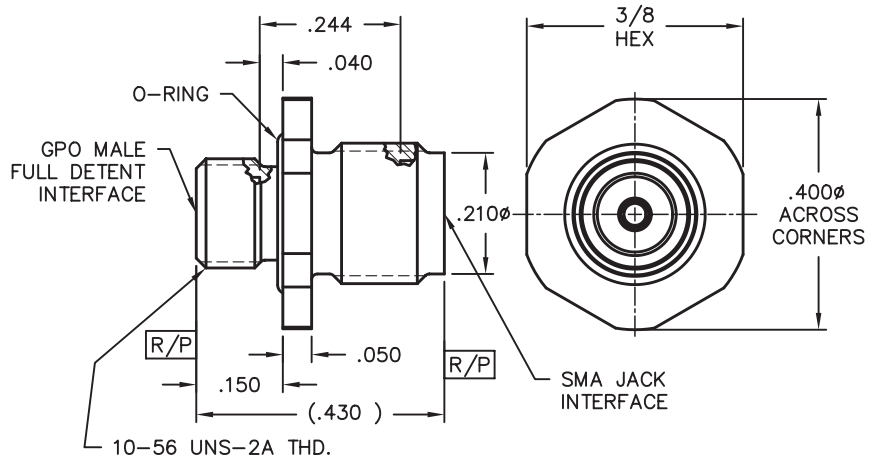
Catalog Number A

1A3F1-0523-02 FD

1A4F1-0523-02 LD

VSWR (TYP)

1.10:1 to 18 GHz, 1.20:1 to 26.5 GHz



### GPO Male to SMA Jack Thread-in

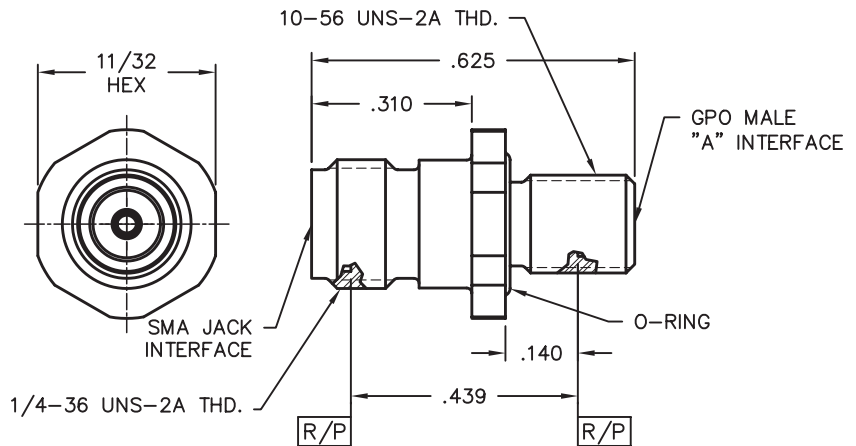
Catalog Number A

1A3F1-0523-05 FD

1A5F1-0523-05 SB

VSWR (TYP)

1.10:1 to 18 GHz, 1.20:1 to 26.5 GHz



### GPO Male to SMA Jack 2-Hole Flange Mount

Catalog Number A

1A3F1-0513-03 FD

1A4F1-0513-03 LD

1A5F1-0513-03 SB

VSWR (TYP)

1.10:1 to 18 GHz, 1.20:1 to 26.5 GHz

