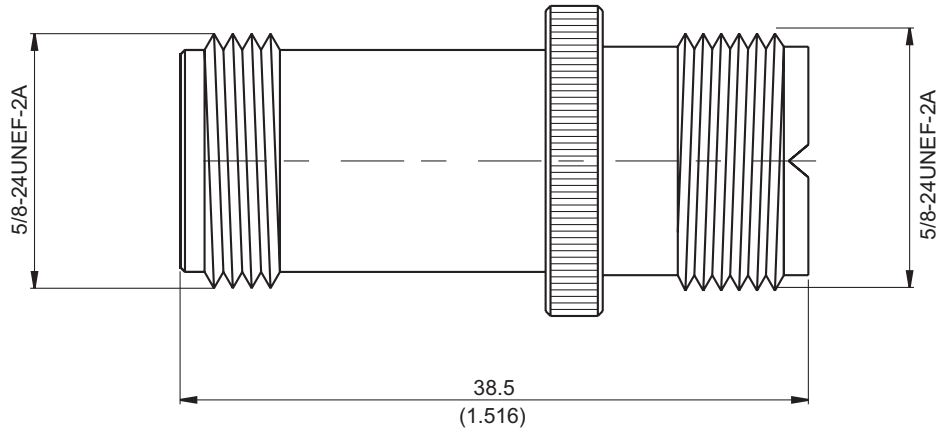


AD-N8M8

N Jack To UHF Jack



Typical VSWR

Part Number	300 MHz
AD-N8M8	1.14

Parts	Material	Plating (Micro-inch)
Insulator	Teflon	
Ring	Brass	Tin-Zinc-Copper-Alloy 100 Over Copper 50
Contact Pin	Phosphor Bronze	Gold 10 Over Nickel 50 Over Copper 50
Contact Pin	Beryllium Copper	Gold 10 Over Nickel 50 Over Copper 50
Body	Brass	Tin-Zinc-Copper-Alloy 100 Over Copper 50

Weight: 33.32 g

Notice: JYEBAO reserves the right to make modifications deemed appropriate.