

2245-0001

NOTES:

1. MATING:

Interface Dimensions per Solitron/Microwave MD-124.

2. MATERIALS:

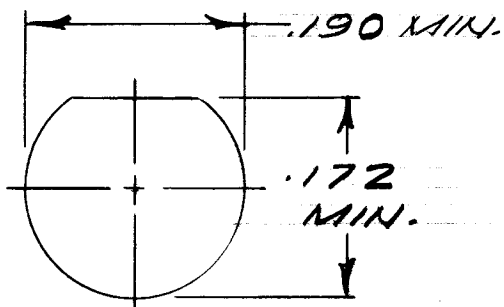
All Metal parts except Lockwasher: Brass per QQ-B-626, Alloy 360.

Lockwasher: Phosphor Bronze per ASTM-B-103.

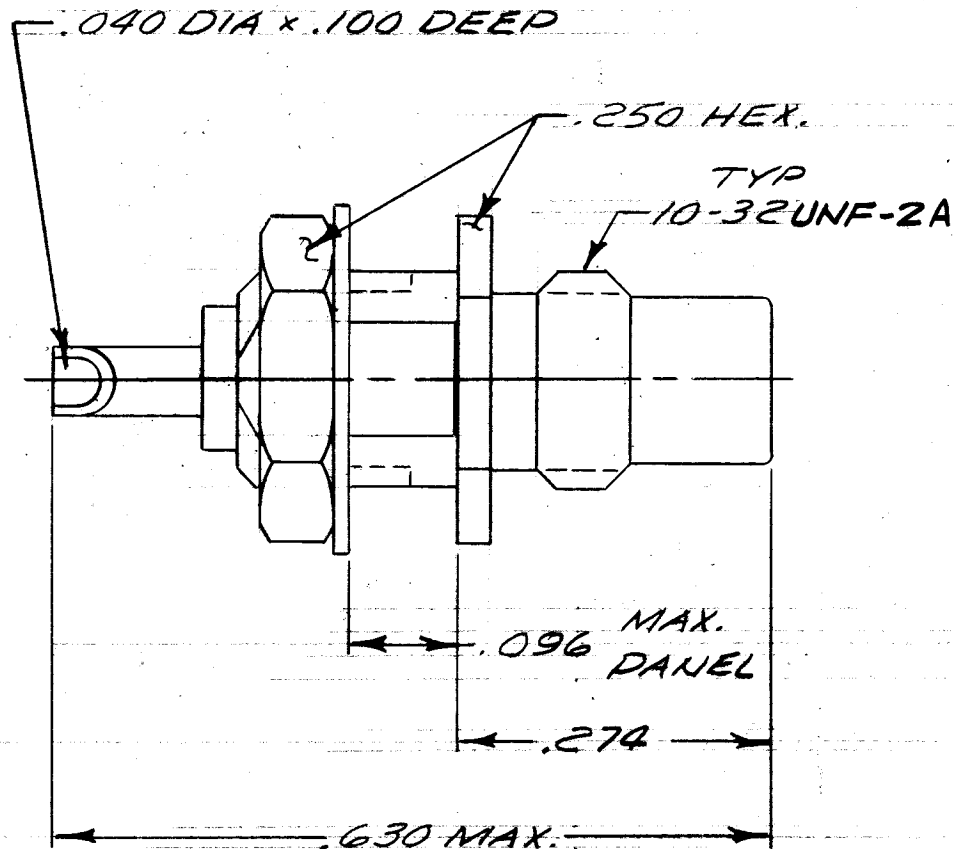
Dielectric: Teflon per Mil-P-19468, and L-P-403, Type I.

3. FINISH:

All Metal parts: Gold per Mil-G-45204, Type II, over Copper per Mil-C-14550, Class 4.



MOUNTING HOLE



SYM	DESCRIPTION	DATE	APPR.	UNLESS OTHERWISE SPECIFIED 1. REMOVE ALL BURRS 2. BREAK ALL CORNERS & EDGES .005 R MAX. 3. CHAMFER 1ST & LAST THREADS 45° 4. SURFACE ROUGHNESS 63 ✓ MIL-STD-10 5. DIAMETERS ON COMMON CENTERS TO BE CONCENTRIC WITHIN T.I.R. 6. ALL DIMENSIONS ARE AFTER PLATING	SOLITRON / MICROWAVE PORT SALERNO, FLORIDA	ENGINEERING DATA DRAWING												
-	REL. F 5590	1/17/77	DGS	DIMENSIONS ARE IN INCHES TOLERANCES <table border="1"> <tr> <td>DECIMALS</td> <td>FRACTIONAL</td> <td>ANGULAR</td> </tr> <tr> <td>.X ± .030</td> <td></td> <td>X' ± 1'0"</td> </tr> <tr> <td>.XX ± .015</td> <td>± 1/64</td> <td></td> </tr> <tr> <td>.XXX ± .005</td> <td></td> <td>X'X' ± 15'</td> </tr> </table>	DECIMALS	FRACTIONAL	ANGULAR	.X ± .030		X' ± 1'0"	.XX ± .015	± 1/64		.XXX ± .005		X'X' ± 15'	MATERIAL	TITLE
DECIMALS	FRACTIONAL	ANGULAR																
.X ± .030		X' ± 1'0"																
.XX ± .015	± 1/64																	
.XXX ± .005		X'X' ± 15'																
A	REV. F 6717	1/21/78	DGS	SEE NOTE 2	SAC	BULKHEAD RECEPTACLE												
				FINISH	SEE NOTE 3													
				DRAWN JJD DATE 1/14/77	SCALE	DRAWING NO.												
				CHECKED DATE	- 95077	2245-0001												
				APPROVED DGS DATE 1-17-77	A	SHEET 1 OF 2												

ENG FILE COPY

"DESIGN CRITERIA"

2245-0001

REQUIREMENT	RATING	REQUIREMENT	RATING
Nominal Impedance (ohms)	50	Vibration	MIL-STD-202 method 204 Cond. D (20G's)
Frequency Range (ghz)	DC-10.0		
Voltage Rating (max. vrms)	335	Shock	MIL-STD-202 method 213 Cond. I (100G's)
Temperature Rating (degrees centigrade)	-65 To +165		
VSWR (max.)	N/A	Temperature Cycling	MIL-STD-202 method 102 - Cond. C (-65°C To +200°C)
Insertion Loss (dB max.)	N/A		
RF Leakage (min. dB down)	100 dB-FGHz	Contact Captivation Axial Force (min. Lbs.)	4.0
RF High Potential (max. vrms)	670 AT 5MHz		
Dielectric Withstanding Voltage (max. vrms)	1000	Corrosion	MIL-STD-202 method 101 Cond. B (48 hrs.)
Insulation Resistance (min. megohms)	1000		
Contact Resistance Center Contact (max. milliohms)	6.0	Barometric Pressure (Altitude)	MIL-STD-202 method 105 Cond. C (70,000 ft.) (250 vrms)
Outer Contact (max. milliohms)	1.0		
Center Contact Axial Forces Insertion (max. ounces)	N/A		
Withdrawal (min. ounces)			
Connector Durability (min. cycles)	500		
Connector Engagement & Disengagement (max. $\frac{\text{inch}}{\text{lbs.}}$)	1.0		

REMARKS: 1.) RECOMMENDED MATING TORQUE: 35-50 INCH OUNCES.