

# Female Connectors with CAGE CLAMP®, Pin Spacing 7.5 mm / 0.295 in, Grey

Pin spacing 7.5 mm/0.295 in, grey  
 0.08 – 2.5 mm<sup>2</sup> | AWG 28 – 12  
 400 V/6 kV/3 | 300 V, 15 A   
 16 A | 300 V, 15 A

8 – 9 mm / 0.33 in

\*

Pin spacing 7.5 mm/0.295 in, grey  
 0.08 – 2.5 mm<sup>2</sup> | AWG 28 – 12  
 400 V/6 kV/3 | 300 V, 15 A   
 16 A | 300 V, 15 A

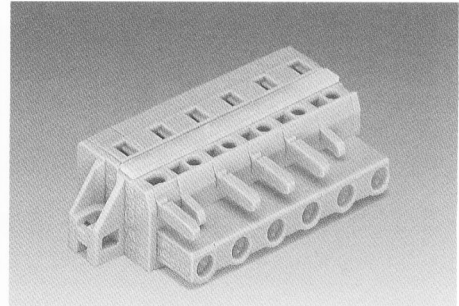
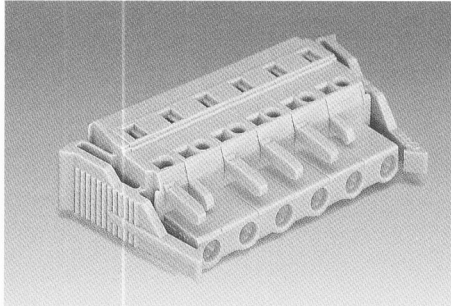
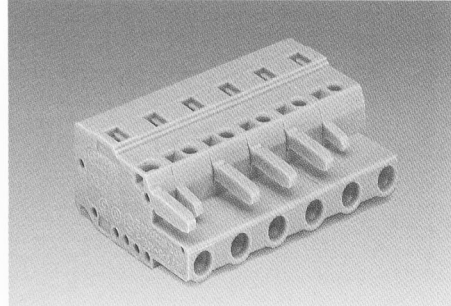
8 – 9 mm / 0.33 in

\*

Pin spacing 7.5 mm/0.295 in, grey  
 0.08 – 2.5 mm<sup>2</sup> | AWG 28 – 12  
 400 V/6 kV/3 | 300 V, 15 A   
 16 A | 300 V, 15 A

8 – 9 mm / 0.33 in

\*

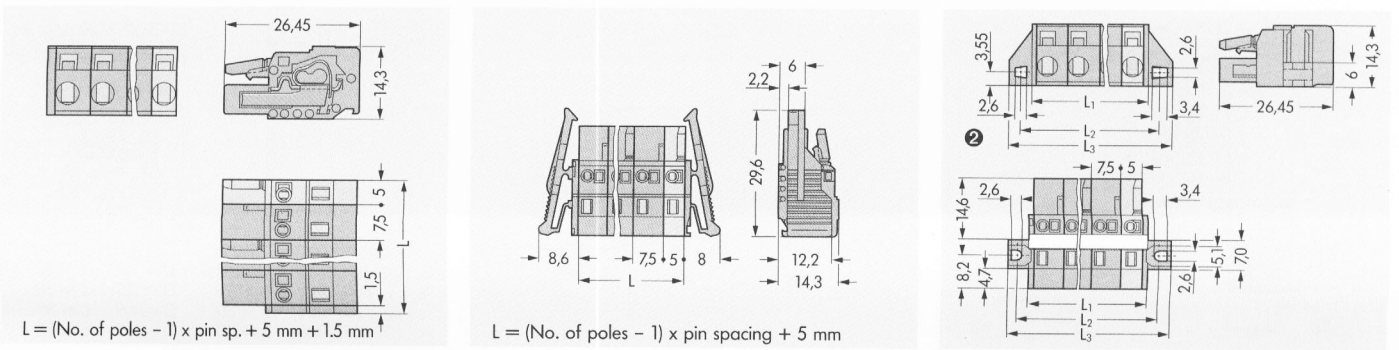


No. of poles	Item-No.	No. of poles	Item-No.	No. of poles	Item-No.
<b>Female connectors with CAGE CLAMP®, with coding fingers, with two latches, grey</b>		<b>Female connectors with CAGE CLAMP® and locking device, with coding fingers, with two latches, grey</b>		<b>Female connectors with CAGE CLAMP® and fixing flanges, for racks and feedthrough connections, with reinforcing strips, with coding fingers, with two latches, for screw fixing or similar methods, grey</b>	
2 (one latch only)	231-202/026-000	2 (one latch only)	231-202/037-000	3	please use the female connectors for panel mounting (item-No. 231-203/031-000 to 231-205/031-000) on page 4.65
3 (one latch only)	231-203/026-000	3 (one latch only)	231-203/037-000	4	
4	231-204/026-000	4	231-204/037-000	5	
5	231-205/026-000	5	231-205/037-000	6	
6	231-206/026-000	6	231-206/037-000	7	
7	231-207/026-000	7	231-207/037-000	8	231-206/027-000
8	231-208/026-000	8	231-208/037-000	9	231-207/027-000
9	231-209/026-000	9	231-209/037-000	10	231-208/027-000
10	231-210/026-000	10	231-210/037-000	11	231-209/027-000
11	231-211/026-000	11	231-211/037-000	12	231-210/027-000
12	231-212/026-000	12	231-212/037-000	13	231-211/027-000
16	231-216/026-000	16	231-216/037-000	14	231-212/027-000
				15	231-216/027-000

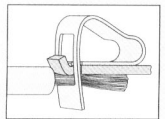
### Accessories

	<b>Test plug, w. cable 500 mm/1'7.7"</b> 2 mm/0.079 in Ø, red <b>210-136</b> 2.3 mm/0.091 in Ø, yel. <b>210-137</b>		<b>Test plug, w. cable 500 mm/1'7.7"</b> 2 mm/0.079 in Ø, red <b>210-136</b> 2.3 mm/0.091 in Ø, yel. <b>210-137</b>		<b>Test plug, w. cable 500 mm/1'7.7"</b> 2 mm/0.079 in Ø, red <b>210-136</b> 2.3 mm/0.091 in Ø, yel. <b>210-137</b>
	<b>Insulation stop, 5 pcs/strip</b> 0.08 - 0.2 mm <sup>2</sup> (white) <b>231-673</b> 0.25 - 0.5 mm <sup>2</sup> (light gr.) <b>231-674</b> 0.75 - 1 mm <sup>2</sup> (dark grey) <b>231-675</b>		<b>Insulation stop, 5 pcs/strip</b> 0.08 - 0.2 mm <sup>2</sup> (white) <b>231-673</b> 0.25 - 0.5 mm <sup>2</sup> (light gr.) <b>231-674</b> 0.75 - 1 mm <sup>2</sup> (dark grey) <b>231-675</b>		<b>Insulation stop, 5 pcs/strip</b> 0.08 - 0.2 mm <sup>2</sup> (white) <b>231-673</b> 0.25 - 0.5 mm <sup>2</sup> (light gr.) <b>231-674</b> 0.75 - 1 mm <sup>2</sup> (dark grey) <b>231-675</b>
	<b>Marker strips, self-adhesive</b> 1-16 (20 x) <b>249-150/210-222</b>		<b>Marker strips, self-adhesive</b> 1-16 (20 x) <b>249-150/210-222</b>		<b>Tapping screw,</b> B 2.2 x 9.5 <b>209-147</b> fixing hole Ø 1.8 mm
					<b>Marker strips, self-adhesive</b> 1-16 (20 x) <b>249-150/210-222</b>

### Dimensions (in mm)



\* For further approvals with corresponding ratings see pages 10.3 ff.



**Pin spacing 7.5 mm/0.295 in, grey**  
**0.08 – 2.5 mm<sup>2</sup>** | AWG 28 – 12  
 400 V/6 kV/3 | 300 V, 15 A   
 16 A | 300 V, 15 A

8 – 9 mm / 0.33 in

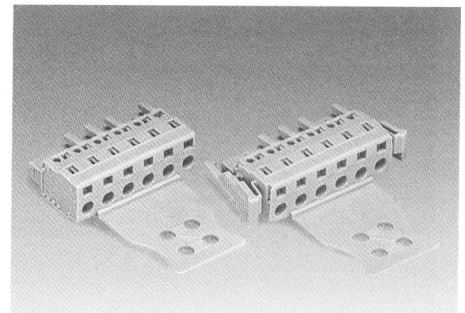
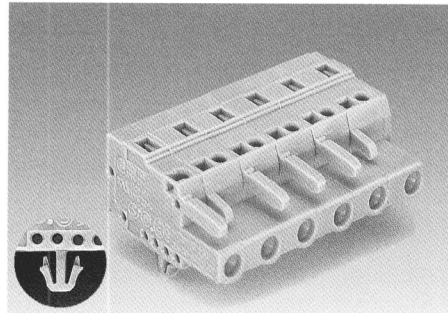
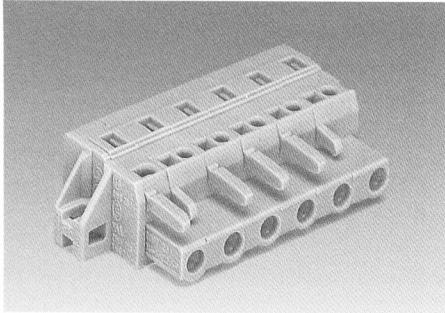
\*

**Pin spacing 7.5 mm/0.295 in, grey**  
**0.08 – 2.5 mm<sup>2</sup>** | AWG 28 – 12  
 400 V/6 kV/3 | 300 V, 15 A   
 16 A | 300 V, 15 A

8 – 9 mm / 0.33 in

\*

**For strain relief plates**  
 see page 4.88



No. of poles	Item-No.	No. of poles	Item-No.	"B"	Additional item-No. for ...
<b>Female connectors with CAGE CLAMP® and fixing flanges, for panel mounting, with coding fingers, with two latches, for screw fixing or similar methods, grey</b>		<b>Female connectors with CAGE CLAMP® and snap-in mounting feet, w. coding fingers, with two latches, grey, for plate thickness 0.6 mm–1.2 mm, fixing hole Ø 3.5 mm (or w. mount. adapter 209-137 for DIN 35 rail)</b>		... Female connectors with CAGE CLAMP® and <b>strain relief plate</b>	
3 (one latch only)	231-203/031-000	2 (one latch only)	231-202/008-000	11.5 mm	.../032-000
4	231-204/031-000	3 (one latch only)	231-203/008-000	20 mm	.../033-000
5	231-205/031-000	4	231-204/008-000	30 mm	.../034-000
6	231-206/031-000	5	231-205/008-000	50 mm	.../035-000
7	231-207/031-000	6	231-206/008-000	B = width of strain relief plate	
8	231-208/031-000	7	231-207/008-000	Ordering example:	
9	231-209/031-000	8	231-208/008-000	Female connector with locking device, pin spacing	
10	231-210/031-000	9	231-209/008-000	7.5 mm/0.295 in, grey, with strain relief plate	
11	231-211/031-000	10	231-210/008-000	3-pole	
12	231-212/031-000	11	231-211/008-000	231-203/037-000/033-000	
16	231-216/031-000	12	231-212/008-000		
		16	231-216/008-000		

	<b>Test plug</b> , w. cable 500 mm/1'7.7" 2 mm/0.079 in Ø, red <b>210-136</b> 2.3 mm/0.091 in Ø, yel. <b>210-137</b>
	<b>Insulation stop</b> , 5 pcs/strip 0.08 - 0.2 mm <sup>2</sup> ① (white) <b>231-673</b> 0.25 - 0.5 mm <sup>2</sup> (light gr.) <b>231-674</b> 0.75 - 1 mm <sup>2</sup> (dark grey) <b>231-675</b>  ① 0.2 mm <sup>2</sup> solid / 0.14 mm <sup>2</sup> f-st
	<b>Tapping screw</b> , B 2.2 x 9.5 <b>209-147</b> fixing hole Ø 1.8 mm
	<b>Marker strips</b> , self-adhesive 1-16 (20 x) <b>249-150/210-222</b>

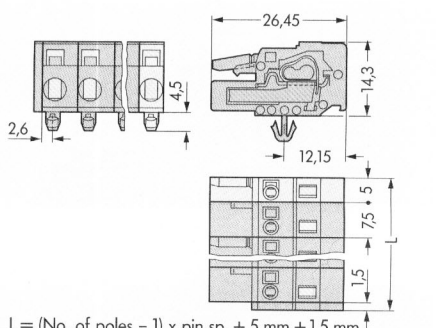
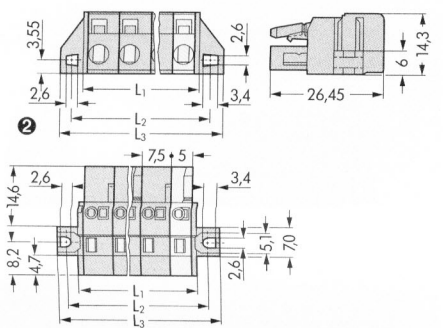
	<b>Test plug</b> , w. cable 500 mm/1'7.7" 2 mm/0.079 in Ø, red <b>210-136</b> 2.3 mm/0.091 in Ø, yel. <b>210-137</b>
	<b>Insulation stop</b> , 5 pcs/strip 0.08 - 0.2 mm <sup>2</sup> ① (white) <b>231-673</b> 0.25 - 0.5 mm <sup>2</sup> (light gr.) <b>231-674</b> 0.75 - 1 mm <sup>2</sup> (dark grey) <b>231-675</b>  ① 0.2 mm <sup>2</sup> solid / 0.14 mm <sup>2</sup> f-st
	<b>Mounting adapter</b> , for DIN 35 rail, grey <b>209-137</b>
	<b>Marker strips</b> , self-adhesive 1-16 (20 x) <b>249-150/210-222</b>

... Female connectors with CAGE CLAMP® and **strain relief plate**

11.5 mm      .../032-000  
 20 mm        .../033-000  
 30 mm        .../034-000  
 50 mm        .../035-000

B = width of strain relief plate

Ordering example:  
 Female connector with locking device, pin spacing  
 7.5 mm/0.295 in, grey, with strain relief plate  
 3-pole                      **231-203/037-000/033-000**



②  
**A = (No. of poles - 1) x pin spacing**  
**L<sub>1</sub> = A + 5 mm + 3 mm**  
**L<sub>2</sub> = A + 5 mm + 8.8 mm**  
**L<sub>3</sub> = A + 5 mm + 14.8 mm**

L = (No. of poles - 1) x pin sp. + 5 mm + 1.5 mm