

HUBER+SUHNER® DATA SHEET

2-way power splitter: 5504.17.0005



Rev.: I

reactive Splitter

Description

2-Way Reactive Power Splitter for LTE 2.3 GHz, LTE 2.6 GHz, WIFI 2.4 GHz, WLL 3.5 GHz, Public Security 4.9 GHz and WIFI 5GHz



Product Configuration

Technical Data

Electrical Data

	Signal Band 1	Output 1	Output 2
Frequency (GHz)	2 - 6	N	N
Return Loss input port	20 dB	jack (female)	jack (female)
Return Loss output port	dB		
Splitter Loss	3.01029995663981 dB		
Insertion Loss	3.21029995663981 dB		
Isolation betw. output ports	6 dB		
Ampl. tra. betw. outp. ports	0.2 dB		
Max. Composite power	300 W		
Peak envelope power	300 W		
Connector Type			
Gender			
Char. impedance			

Mechanical Data

Dimensions (mm)	103.7 x 67 x 20 (Height x Width x Depth)
Weight	0.8 kg

Environmental Data

Environmental conditions	outdoor
Operation temperature (°C)	-40 to 85
Storage temperature (°C)	to
IP rating	IP 65
Lead-free soldered	not soldered
WEEE 2002/96/EC	no special marking needed

Related Documents

Mounting instruction	
Painting instruction	
Security instruction	
Outline drawing1	DOU-00066930.1

HUBER+SUHNER is certified according to ISO 9001 and ISO 14001

WAIVER!
It is exclusively in written agreements that we provide our customers with warrants and representations as to the technical specifications and/or the fitness for any particular purpose. The facts and figures contained herein are carefully compiled to the best of our knowledge, but they are intended for general informational purposes only.



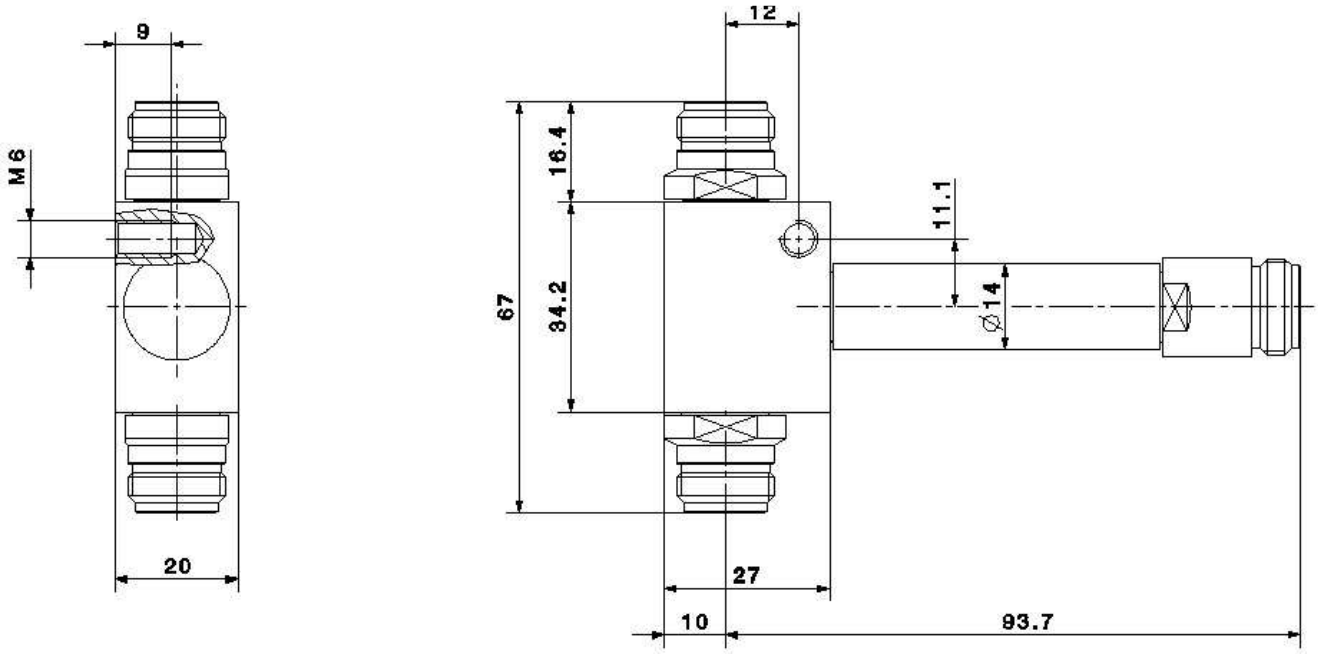
HUBER+SUHNER AG
RF Industrial
9100 Herisau, Switzerland
Phone +41 (0)71 353 41 11
Fax +41 (0)71 353 45 90
www.hubersuhner.com

HUBER+SUHNER – Excellence in Connectivity Solutions

HUBER+SUHNER® DATA SHEET

2-way power splitter: 5504.17.0005

Rev.: I



HUBER+SUHNER is certified according to ISO 9001 and ISO 14001

WAIVER!

It is exclusively in written agreements that we provide our customers with warrants and representations as to the technical specifications and/or the fitness for any particular purpose. The facts and figures contained herein are carefully compiled to the best of our knowledge, but they are intended for general informational purposes only.



HUBER+SUHNER AG
RF Industrial
9100 Herisau, Switzerland
Phone +41 (0)71 353 41 11
Fax +41 (0)71 353 45 90
www.hubersuhner.com

HUBER+SUHNER – Excellence in Connectivity Solutions