

Customer Information Sheet

DRAWING No.: S405-XXBX, S406-XXBX

SHEET 3 OF 3

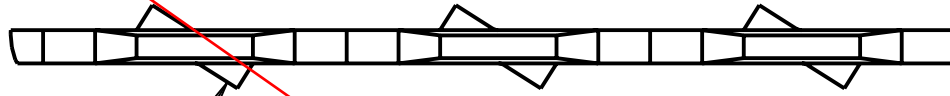
IF IN DOUBT - ASK

©

NOT TO SCALE

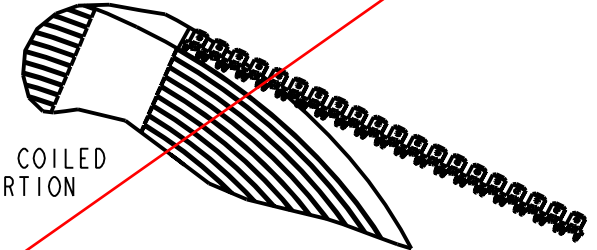
THIRD ANGLE PROJECTION

ALL DIMENSIONS IN mm

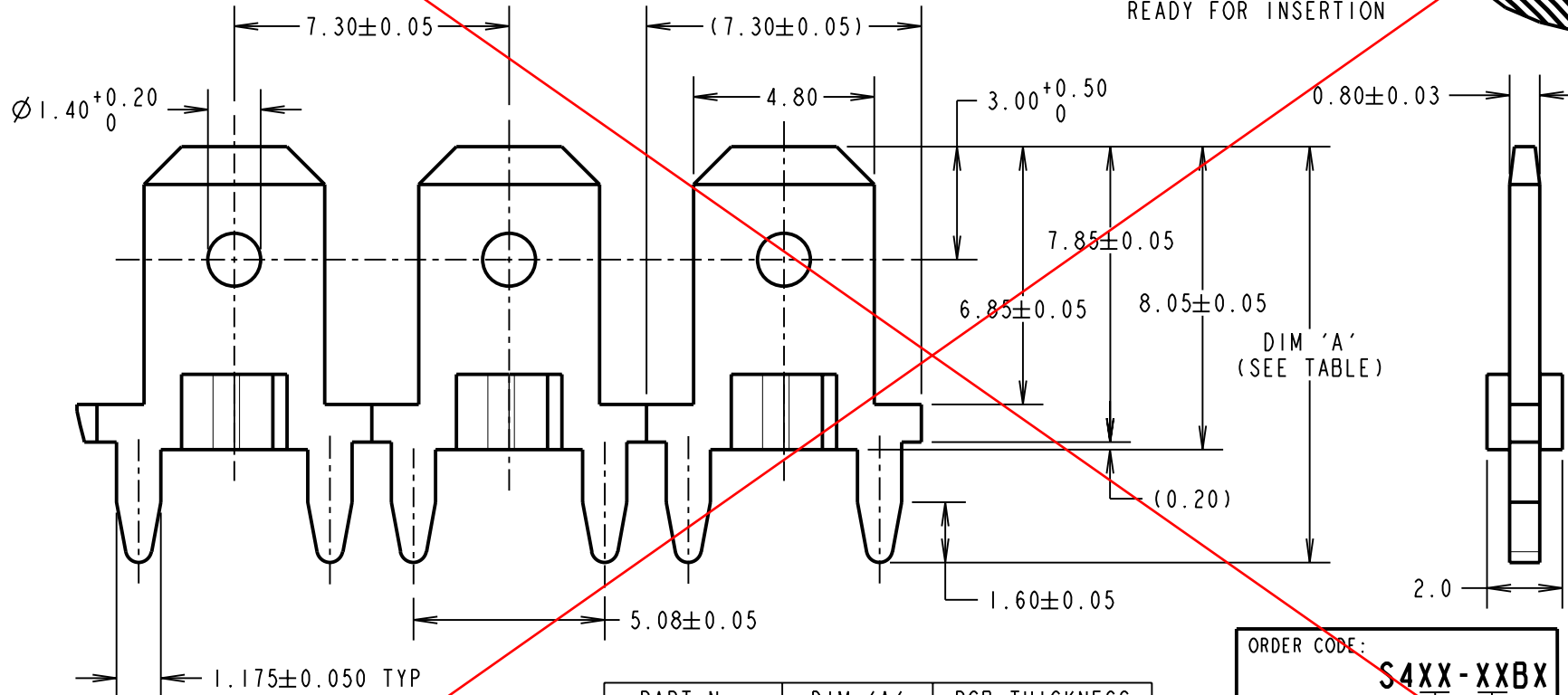


SEE NOTE 1

OBSOLETE



COMPONENTS SHOWN COILED
READY FOR INSERTION



NOTE:

- ANTI-ROCKING FEATURE.
- QUANTITY OF TABS PER COIL = 4K.
TOTAL WEIGHT PER COIL = 1.34kg.
- RECOMMENDED MOUNTING HOLE SIZE = $\phi 1.25 \pm 0.06$ mm.

PART No.	DIM 'A'	PCB THICKNESS
S405-XXBX	11.05	1.60
S406-XXBX	11.85	2.40

ORDER CODE: **S4XX-XXBX**

TYPE: 05 OR 06
(SEE TABLE)

FINISH:
06 = TIN/LEAD (F0115)
46 = 100% TIN (F0119)

CP	4	27.01.10	8128
NAME	ISS.	DATE	C/NOTE
APPROVED: C.PENROSE			
CHECKED: R.ADDE			
DRAWN: W. J. BOURNE			
CUSTOMER REF.:			
ASSEMBLY DRG:			

HARWIN

HARWIN USA
TEL: 603 893 5376
FAX: 603 893 5396
mis@harwin.com

HARWIN Europe (UK)
TEL: 023 9231 4545
FAX: 023 9231 4590
mis@harwin.co.uk

HARWIN Asia
TEL: +65 6 779 4909
FAX: +65 6 779 3868
mis@harwin.com.sg

THIS DRAWING AND ANY INFORMATION OR DESCRIPTIVE MATTER SET OUT HEREON ARE CONFIDENTIAL AND COPYRIGHT PROPERTY OF THE HARWIN GROUP AND MUST NOT BE DISCLOSED, LOANED, COPIED OR USED FOR MANUFACTURING, TENDERING OR FOR ANY OTHER PURPOSE WITHOUT THEIR WRITTEN PERMISSION.

TOLERANCES
X. = ± 1 mm
X.X = ± 0.25 mm
X.XX = ± 0.10 mm
X.XXX = ± 0.01 mm
ANGLES = $\pm 5^\circ$
UNLESS STATED

MATERIAL:
BRASS CW508L H150
TO BS EN 1652
(CuZn37 HARD)

FINISH: SEE ABOVE

S/AREA: mm²

TITLE:
4.8mm BLADE VERTICAL
COILED TAB TERMINAL

DRAWING NUMBER:
S405-XXBX, S406-XXBX

SHT
3 OF 3