



Please enter U&T part number for

Popular Searches: [UTH20C01](#) [UTH16P05](#) [UTG18T01](#) [UTG96T01](#) [UTT48C01](#)

Products List

[100 Base-T](#)

[1000 Base-T](#)

[2.5/5/10G Base-T](#)

→ [2.5G Base-T](#)

→ [2.5G](#)

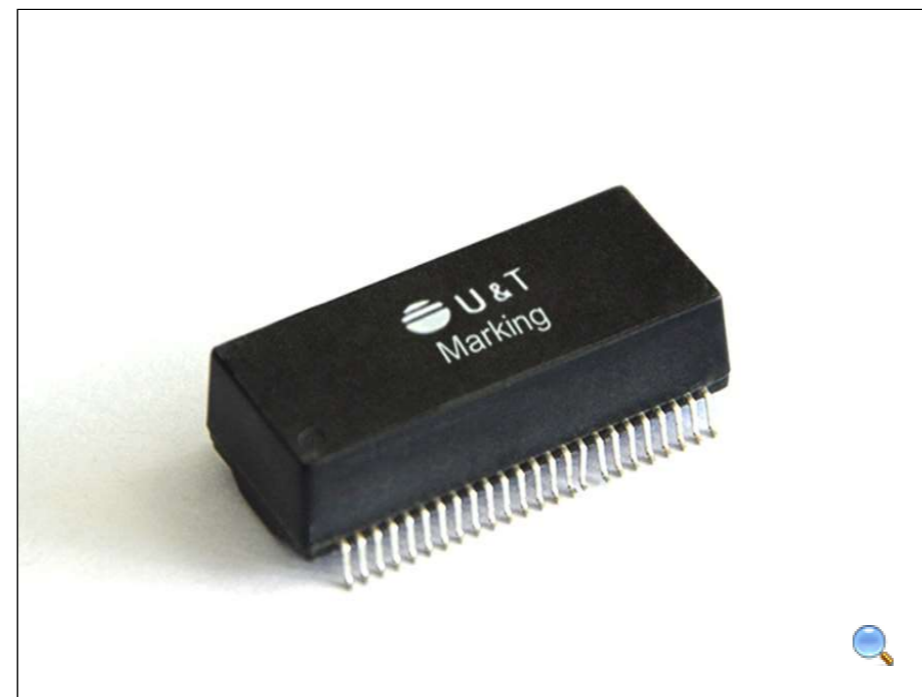
→ [2.5G POE](#)

→ [2.5G UPOE](#)

→ [5G Base-T](#)

→ [10G Base-T](#)

Your present location: [Home](#) >> [2.5/5/10G Base-T](#) >> [10G Base-T](#) >> [UTT48C01](#)



Name: UTT48C01

No.: [UTT48C01](#)

Views : [63](#)



[Browse similar products](#)

Previous [UTTG24C01](#)

Page :

Details



**10G BASE-T DUAL PORT LAN TRANSFORMER
UTTG48C01 DATA SHEET**

Page : 1/1

Feature

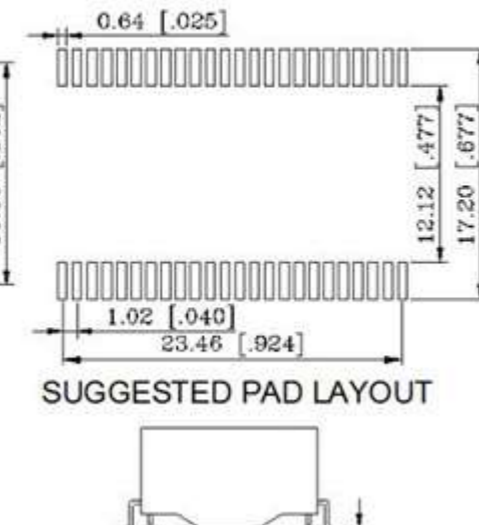
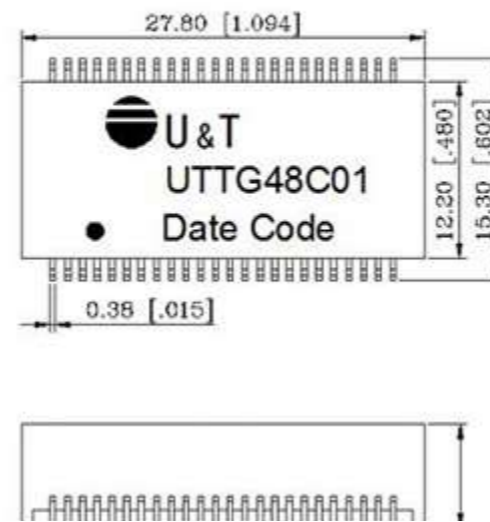
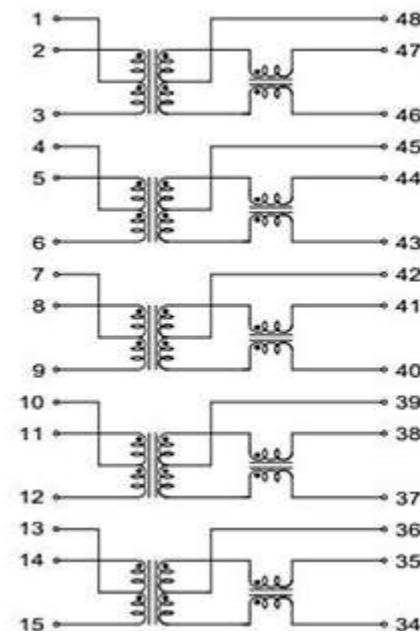
- 10G BASE-T Ethernet Magnetics.
- Comply with RoHS requirements.
- Operating temperature : 0°C to +70°C.

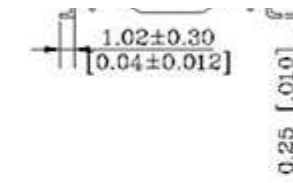
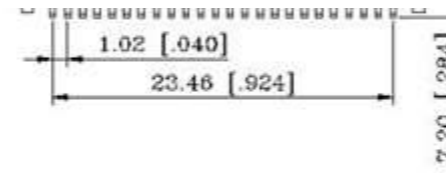
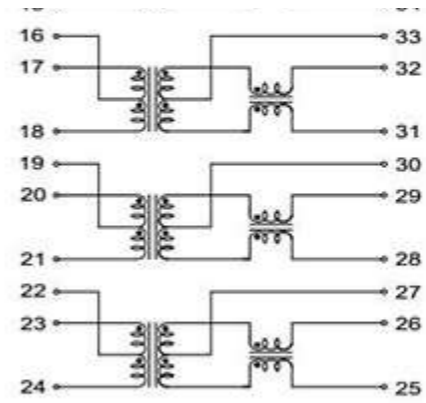
Electrical Specifications @ 25°C

OCL:	120uH Min. @100KHz/0.1V
Hi-POT :	1500Vrms
Turn Ratio	1:1±3%
D.C.R:	1.0 ohm Max @Secondary
Insertion Loss:	1.5dB Max@1-250MHz
	3.0dB Max@250-500MHz
Return Loss	16dB Min@1-40MHz
	16-10log(f/40)dB Min@40-500MHz
CM-CM Rejection	30dB Min@1-250MHz
	20dB Min@250-500MHz
Crosstalk	35dB Min@1-100MHz
	30dB Min@100-500MHz

Schematic

Mechanical





1. Unless otherwise specified, all tolerances are $\pm 0.25[.01]$
2. Coplanarity: $0.1[.004]$
3. Unit mm[inch]

[Http://www.utlimited.com](http://www.utlimited.com)

E-mail: sales@utlimited.com

Tel: +86-752-2761008

Fax: +86-752-2761009

Key words :

LINK:

U&T HL TECHNOLOGY GROUP LIMITED



ADD: Honglin Industrial Park, Dongjiang Hi-tech Zone, Huicheng District, Huizhou City, Guangdong Province, P.R.C.
 Zip Code: 516000
 TEL: 0752-2761008
 FAX: 0752-2761009
 Email: sales@utlimited.com

About Us

Company Profile
 Development
 Company Culture
 Enterprise Honor

Products

2.5&5&10G Base-T
 100 Base-T
 1000 Base-T

Brand Value

R & D Advantage
 Advantages
 Quality
 Certification

News

Company News
 Industry Information

Recruitment

Positions

Contact

Contact Us
 Map
 Messages