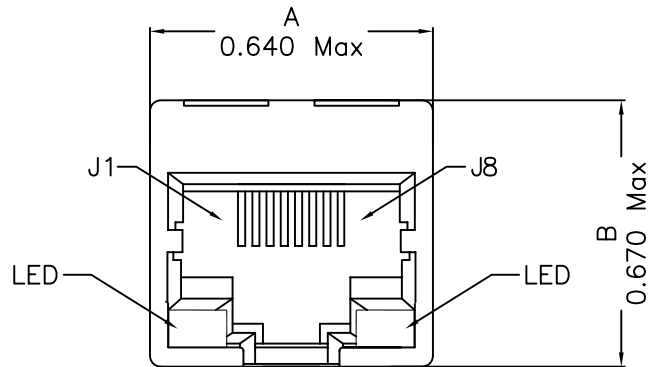
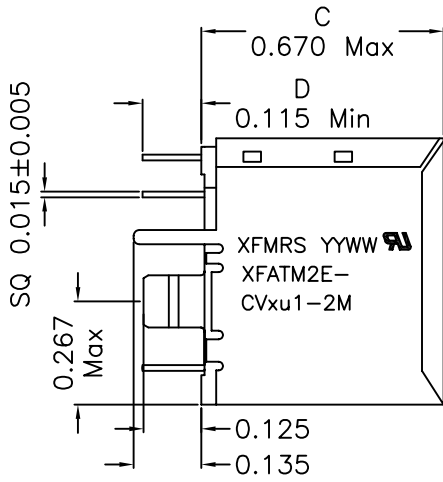
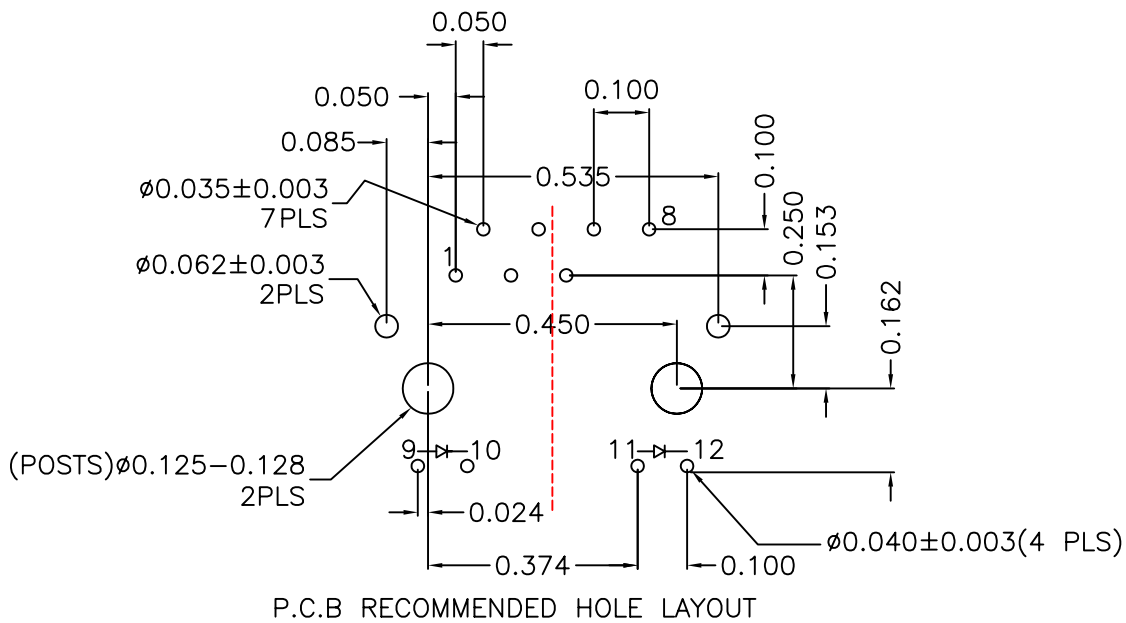


**Mechanical Dimensions:**



\*Remove Pin#7

**Mounting Pattern:**



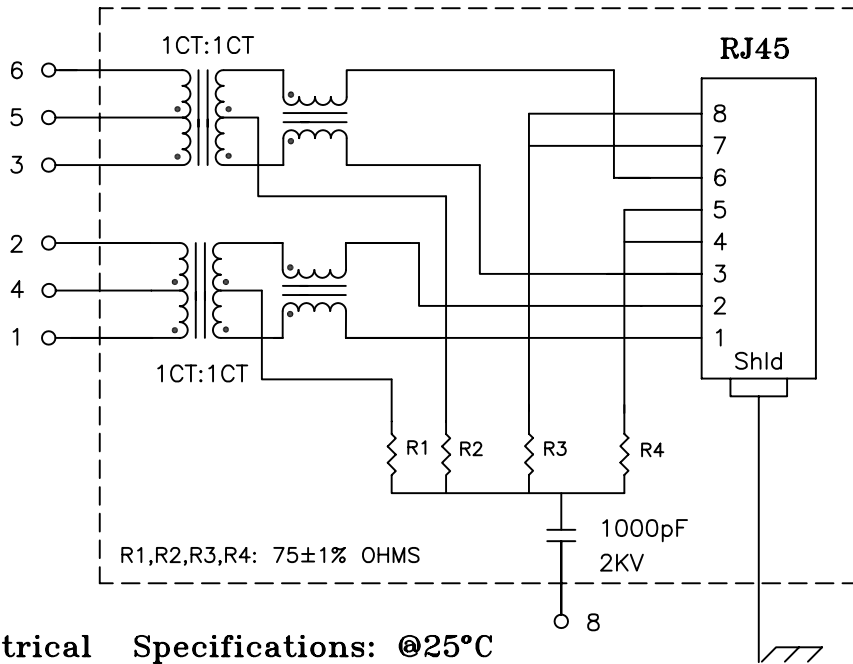
DOC. REV: A/3

<b>XFMRs Inc.</b> www.XFMRS.com	Title: Mechanical Dimensions For CVxu1-2M Series		
	UNLESS OTHERWISE SPECIFIED TOLERANCES: .xxx ±0.010 Dimensions in Inch	P/N: XFATM2E-CVxu1-2M	REV. A
SHEET 2 OF 2	DWN.	Feng	Dec-08-11
	CHK.	YK Liao	Dec-08-11
	APP.	BW	Dec-08-11

**PROPRIETARY:**

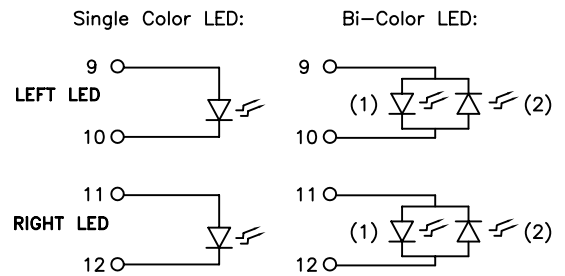
Document is the property of XFMRs Group & is not allowed to be duplicated without authorization.

**Schematic:**



**Electrical Specifications: @25°C**

Isolation Voltage: 1500 Vrms (Input to Output)  
 Isolation Voltage: 500 Vrms (P1+2+4 to P3+5+6)  
 Turns Ratio: TX 1CT:1CT ±3% RX 1CT:1CT ±3%  
 CABLE SIDE OCL: 350uH Minimum @100KHz 100mV 8mADC  
 Q: 18 Min 100KHz 0.1V  
 CABLE SIDE Cw/w: 30pF Max @1MHz 100mV  
 CHIP SIDE LL: 0.300uH Max @1MHz 100mV, Short Sec  
 DCR: (J6-J3)=(J2-J1) 1.2 Ohms Max  
 Insertion Loss (100KHz-100MHz): -1.10dB Typ  
 Return Loss: @1-30MHz -18dB Typ  
 @60-80MHz -12dB Typ  
 Cross Talk (1MHz-100MHz): -40dB Typ  
 Common to Common Mode Attenuation: (30MHz-100MHz) -35dB Typ  
 Rise Time: 1Vpeak Output 3.0nSec Max  
 112nSec Pulse Width 3nSec Max



**LED SCHEMATIC**

Complete the Combo P/N as follows:

Replace 'x' & 'u' in the part number with one of the LED color letters:  
 Y=Yellow  
 G=Green  
 A=Amber  
 R=Red  
 C=Green(1)/Amber(2) Bicolor  
 D=Amber(1)/Green(2) Bicolor  
 M=Green(1)/Yellow(2) Bicolor  
 N=Yellow(1)/Green(2) Bicolor  
 P=Red(1)/Green(2) Bicolor  
 Q=Green(1)/Red(2) Bicolor

'x' = Left LED Color  
 'u' = Right LED Color

Single Color LED: Bi-Color LED:

**Notes:**

- Solderability: Leads shall meet MIL-STD-202G, Method 208H for solderability.
- Flammability: UL94V-0
- ASTM oxygen index: > 28%
- UL Recognized Component: File Number E165866
- Operating Temperature Range: All listed parameters are to be within tolerance from -40°C to +85°C
- Storage Temperature Range: -55°C to +125°C
- Aqueous wash compatible
- Electrical and mechanical specifications 100% tested
- RoHS Compliant Component

DOC. REV: A/3

**PROPRIETARY:**

Document is the property of XFMRs Group & is not allowed to be duplicated without authorization.

<b>XFMRs Inc.</b> www.XFMRs.com	Title: <b>VERTICAL MOUNT COMBO</b>		
UNLESS OTHERWISE SPECIFIED	P/N: XFATM2E-CVxu1-2M		REV. A
TOLERANCES: .xxx ±0.010	DWN.	Feng	Dec-08-11
Dimensions in Inch	CHK.	YK Liao	Dec-08-11
SHEET 1 OF 2	APP.	BW	Dec-08-11