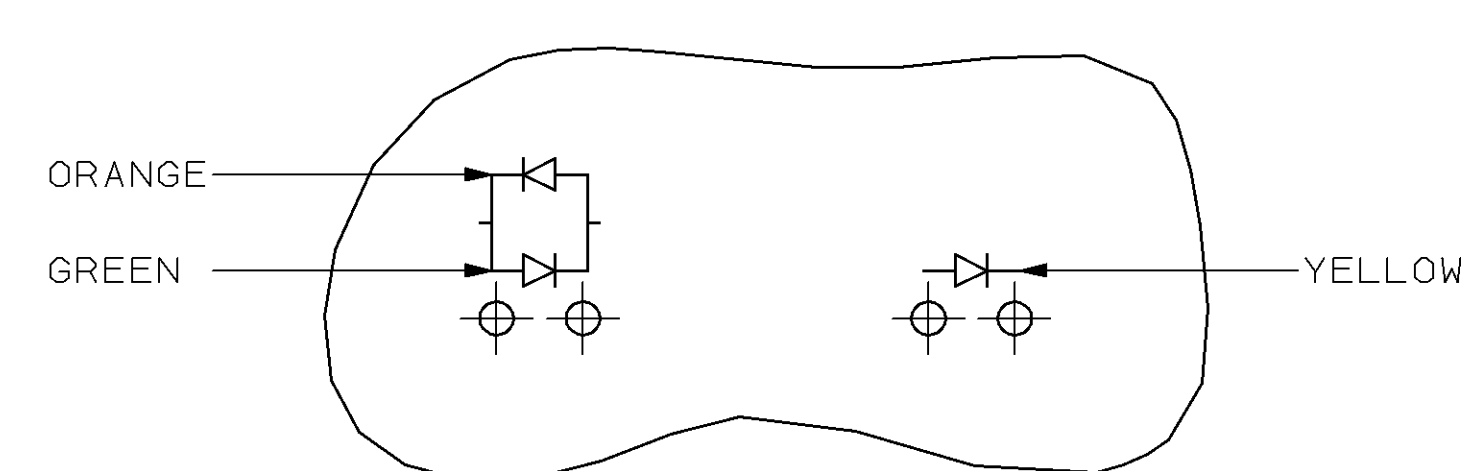
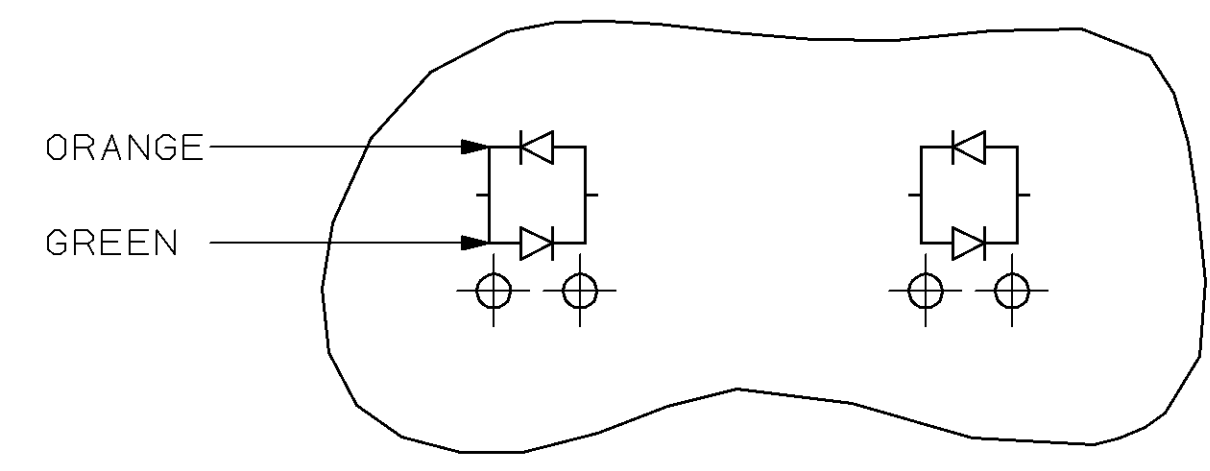
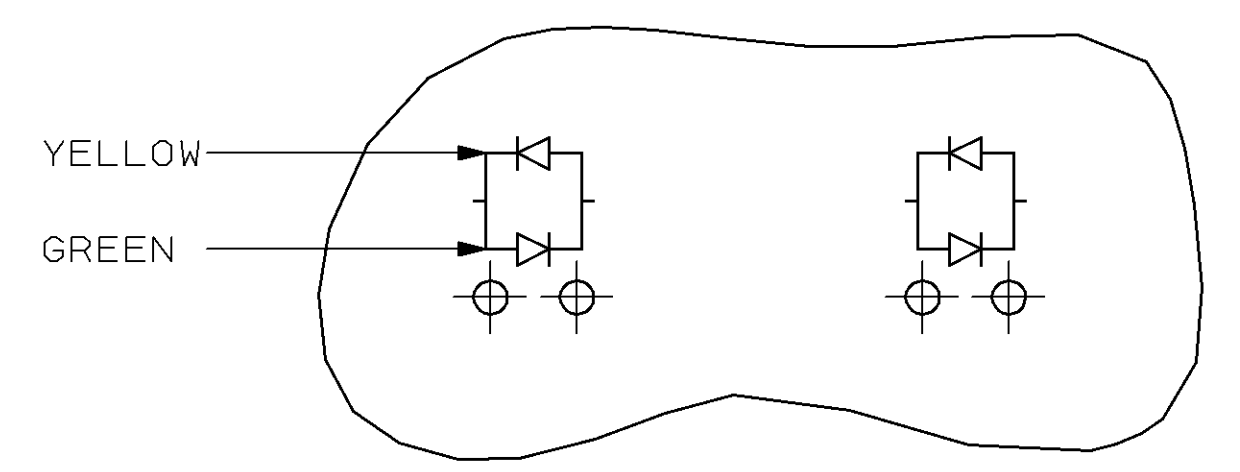
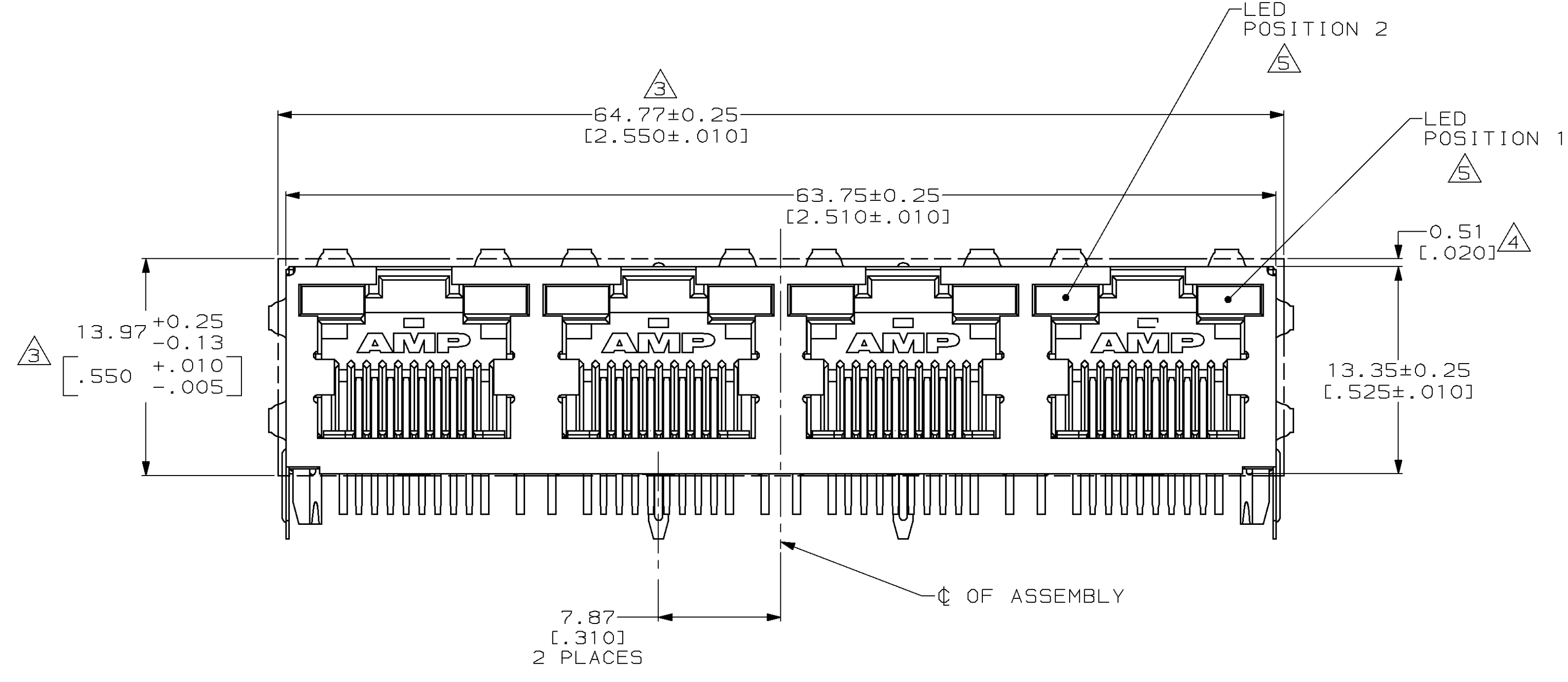
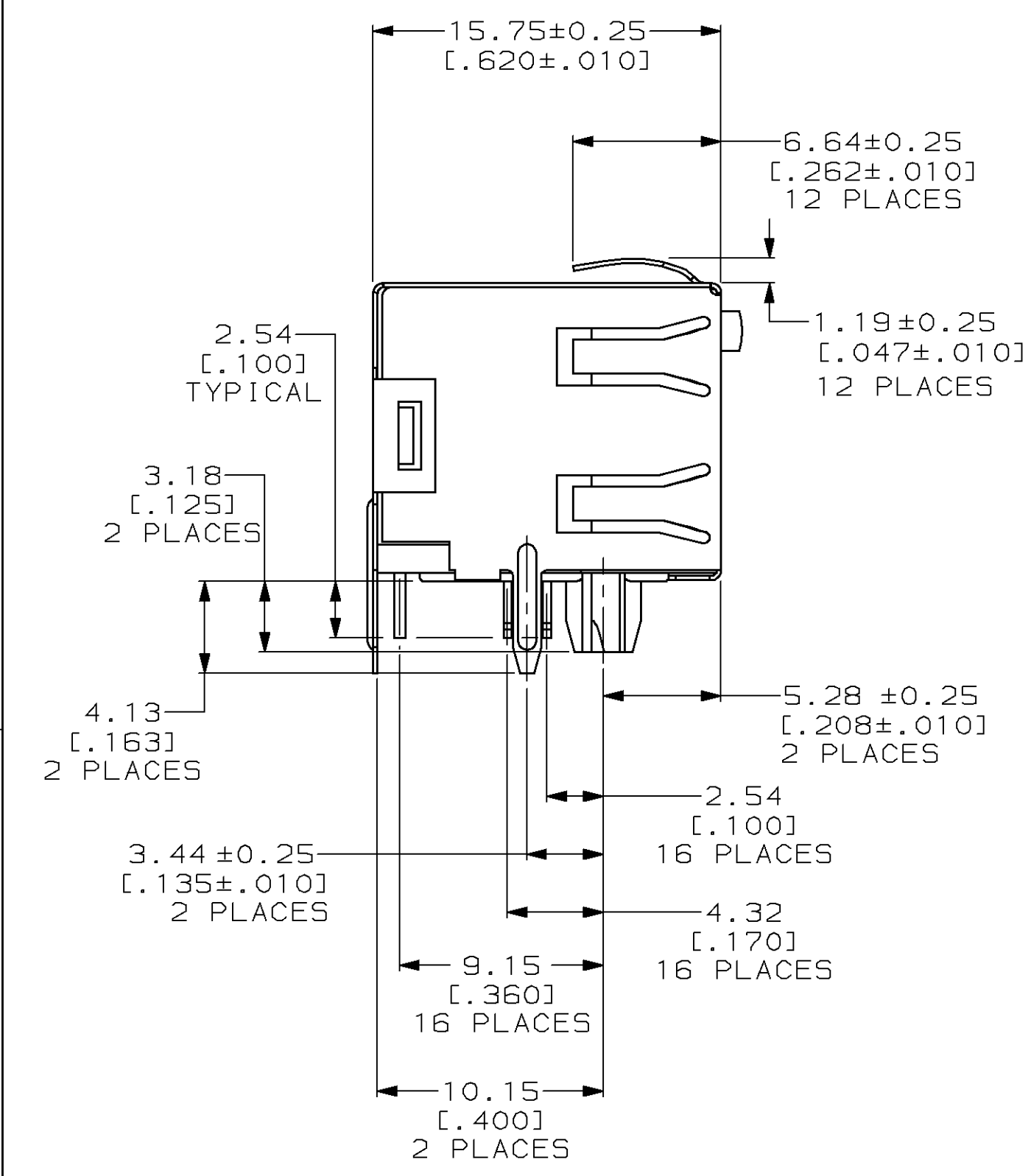


SUGGESTED PRINTED CIRCUIT BOARD LAYOUT (COMPONENT SIDE)

- △ MATERIAL:
 HOUSING - HIGH TEMPERATURE THERMOPLASTIC, BLACK, UL94V-0.
 TERMINALS - .36 [.014] THICK PHOS BRONZE PLATED WITH 3.81µm [.000150] MINIMUM THICK BRIGHT TIN LEAD IN SOLDER AREA. 1.27µm [.000050] MINIMUM GOLD IN LOCALIZED PLATE AREA. ENTIRE TERMINAL PLATED WITH 1.27µm [.000050] MINIMUM THICK NICKEL.
 SHIELD - .196 [.0077] THICK COPPER ZINC ALLOY PREPLATED WITH 2.03µm [.000080] - 3.81µm [.000150] THICK TIN LEAD OVER 2.54µm [.000100] THICK COPPER.
 LIGHT EMITTING DIODE (LED) - DIFFUSED EPOXY LENS, .51 x .51 [.020 x .020] CARBON STEEL WIREFRAME LEADS PREPLATED WITH 2.29µm [.000090] SILVER OVER 1.02µm [.000040] NICKEL UNDERPLATE OVER 2.03µm [.000080] COPPER UNDERPLATE. POST-PLATED WITH 6.35-13.97µm [.000250-.000550] THICK TIN-LEAD.
- JACK CAVITY CONFORMS TO FCC RULES AND REGULATIONS PART 68, SUBPART F.
 - 3 SUGGESTED PANEL OPENING DIMENSIONS.
 - 4 SUGGESTED CLEARANCE BETWEEN TOP OF CONNECTOR AND TOP PANEL OPENING.
 - 5 SEE TABLE FOR COLOR OF LEDS AND NUMBER REQUIRED.
 - 6 THIS MODULAR JACK WITH INTEGRATED LED IS NOT IR REFLOW SOLDERING PROCESS COMPATIBLE.

WAS 406552 REV 2



INDICATOR COLOR FOR EACH HOUSING		PART NUMBER
ORANGE/GREEN	YELLOW	406552-9
YELLOW/GREEN	YELLOW/GREEN	406552-8
ORANGE/GREEN	ORANGE/GREEN	406552-7
YELLOW	YELLOW	406552-6
GREEN	GREEN	406552-5
GREEN	YELLOW	406552-4
YELLOW	-	406552-3
-	GREEN	406552-2
YELLOW	GREEN	406552-1
POSITION 2	POSITION 1	

THIS DRAWING IS A CONTROLLED DOCUMENT.		DWN T. SPRINKLE 23SEP97	AMP Incorporated Harrisburg, PA 17105-3608
DIMENSIONS: mm [INCHES]		CHK T. SPRINKLE 23SEP97	
TOLERANCES UNLESS OTHERWISE SPECIFIED:		APP'D M. DERSTINE 23SEP97	INVERTED MODULAR JACK ASSEMBLY, 1X4, SHIELDED, PANEL GROUND, LED
0 PLC ±		NAME	
1 PLC ±		PRODUCT SPEC	SIZE
2 PLC ±0.25(.01)		APPLICATION SPEC	CAGE CODE
3 PLC ±0.13(.005)		114-2154	DRAWING NO
4 PLC ±		WEIGHT	SCALE
ANGLES		CUSTOMER DRAWING	SHEET
FINISH			1 OF 1
			REV