

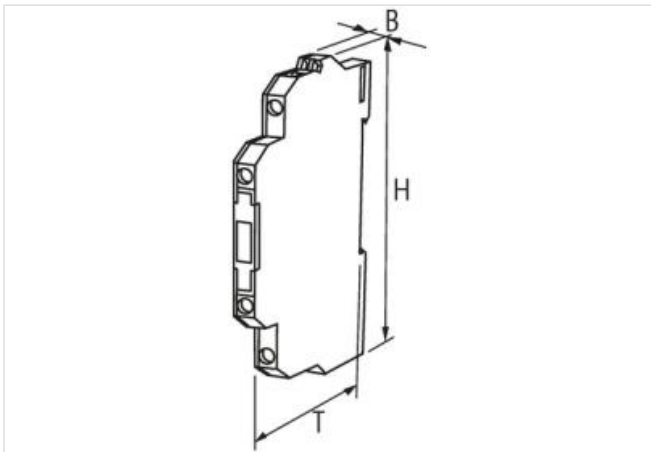
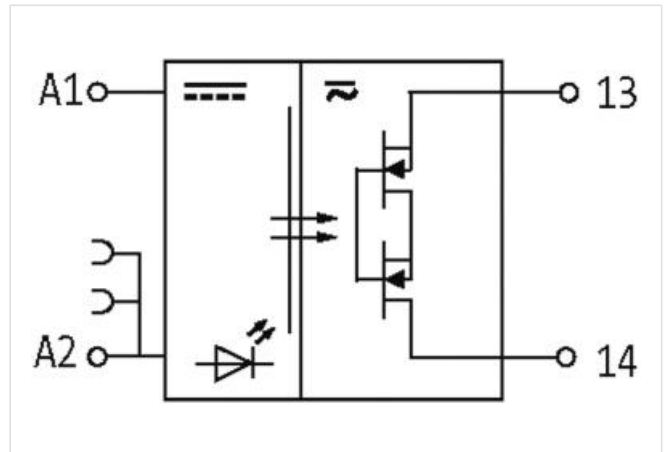
**MIRO 6.2 24VDC 250VAC/DC-1A OPTO-COUPLER MODULE**

IN: 53 VDC - OUT: 250 VAC / 350 VDC / 1 A

Transistor 1 A  
 24 V DC  
 Screw terminals  
 Multi voltage output

[Link to Product](#)

**Illustration**



Product may differ from Image



**Commercial data**

|             |          |
|-------------|----------|
| ECLASS-6.0  | 27371604 |
| ECLASS-6.1  | 27371604 |
| ECLASS-7.0  | 27371604 |
| ECLASS-8.0  | 27371604 |
| ECLASS-9.0  | 27371604 |
| ECLASS-10.1 | 27371604 |

|                       |               |
|-----------------------|---------------|
| ECLASS-11.1           | 27371604      |
| ECLASS-12.0           | 27371604      |
| ETIM-5.0              | EC001504      |
| customs tariff number | 85414900      |
| GTIN                  | 4048879026727 |
| Packaging unit        | 1             |

**Electrical data | Input**

|                           |       |
|---------------------------|-------|
| Input voltage OFF DC min. | 0 V   |
| Input voltage OFF DC max. | 5 V   |
| Input voltage DC min.     | 10 V  |
| Input voltage DC max.     | 53 V  |
| Current input DC          | 10 mA |

**Electrical data | Output**

|                            |          |
|----------------------------|----------|
| Switch off delay max.      | 6 ms     |
| Switch on delay max.       | 3 ms     |
| Quiescent current OFF max. | 0,025 mA |
| Switching frequency max.   | 10 Hz    |
| Voltage switching AC min.  | 5 V      |
| Switching voltage AC max.  | 250 V    |
| Voltage switching DC min.  | 5 V      |
| Switching voltage DC max.  | 350 V    |
| Current switching min.     | 1 mA     |
| Switching current max.     | 1 A      |
| Voltage drop AC max.       | 0,7 V    |
| Voltage drop DC max.       | 0,7 V    |

**Diagnostics**

|                       |        |
|-----------------------|--------|
| Status indication LED | yellow |
|-----------------------|--------|

**Device protection | Electrical**

|                          |        |
|--------------------------|--------|
| Rated insulation voltage | 2750 V |
|--------------------------|--------|

**Device protection | Media**

|                  |                 |
|------------------|-----------------|
| Flame resistance | flame retardant |
|------------------|-----------------|

**Mechanical data | Material data**

|                  |         |
|------------------|---------|
| Color housing    | black   |
| Material housing | Plastic |

**Mechanical data | Mounting data**

|                            |                           |
|----------------------------|---------------------------|
| Mounting method            | geschnappt                |
| Suitable for mounting type | mounting rail, (EN 60715) |
| Height                     | 78 mm                     |
| Width                      | 6,2 mm                    |
| Depth                      | 70 mm                     |

**Environmental characteristics | Climatic**

|                            |        |
|----------------------------|--------|
| Operating temperature min. | -20 °C |
| Operating temperature max. | 60 °C  |

**Connection type 4**

|                          |                    |
|--------------------------|--------------------|
| Connection               | Screw terminals SK |
| Family construction form | terminal           |
| Gender                   | female             |
| Color contact carrier    | black              |
| No. of poles             | 1                  |
| PIN 1                    | 13                 |
| Connection               | Screw terminals SK |

|                          |                    |
|--------------------------|--------------------|
| Family construction form | terminal           |
| Gender                   | female             |
| Color contact carrier    | black              |
| No. of poles             | 1                  |
| PIN 1                    | 14                 |
| Connection               | Screw terminals SK |
| Family construction form | terminal           |
| Gender                   | female             |
| Color contact carrier    | black              |
| No. of poles             | 1                  |
| PIN 1                    | A 1                |
| Connection               | Screw terminals SK |
| Family construction form | terminal           |
| Gender                   | female             |
| Color contact carrier    | black              |
| No. of poles             | 1                  |
| PIN 1                    | A 2                |