

NOTES: UNLESS OTHERWISE SPECIFIED

1. FOR GENERAL SERIES SPECIFICATIONS, SEE SD47-0000.

2. MATERIAL SPECIFICATIONS:

RETAINING RING: COPPER ALLOY
 ALL OTHER METAL PARTS: BRASS PER ASTM B16
 INSULATOR: TEFLON PER ASTM D1710

3. FINISH SPECIFICATIONS:

BODIES AND RETAINING RING: .000015MIN GOLD PER ASTM B488
 OVER .000080 MIN NICKEL PER AMS-QQN-290.
 CONTACT: .000030MIN GOLD PER ASTM B488
 OVER .000080 MIN NICKEL PER AMS-QQN-290.

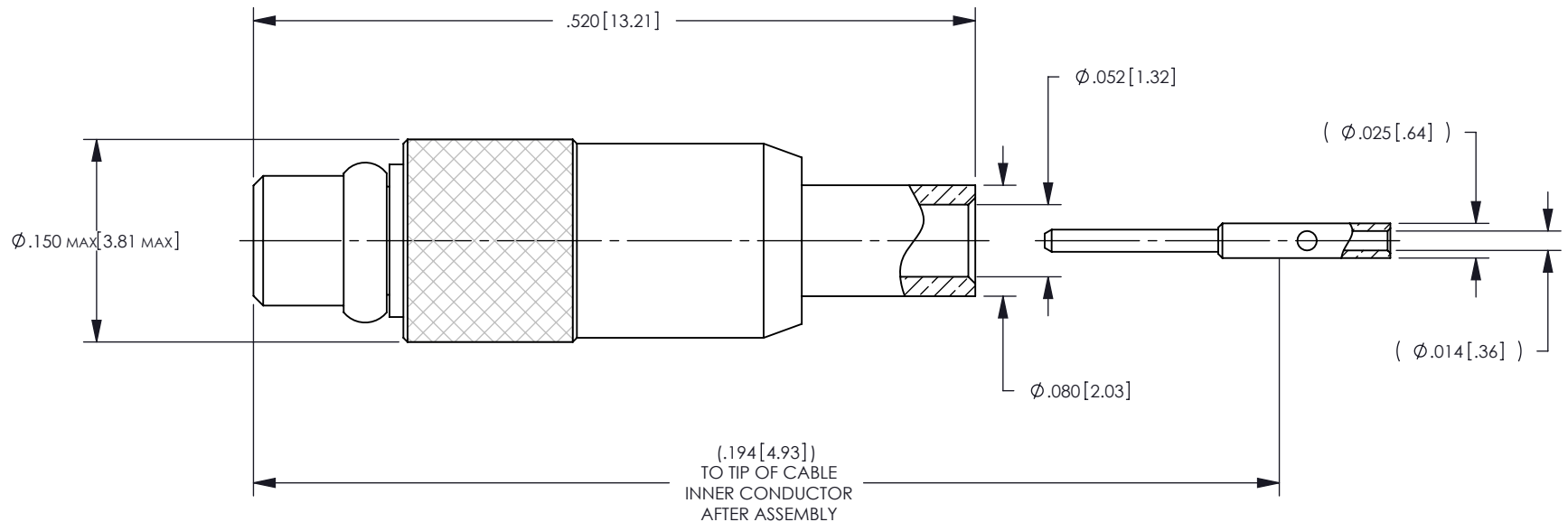
4. ELECTRICAL SPECIFICATIONS:

FREQUENCY RANGE: DC-6GHZ

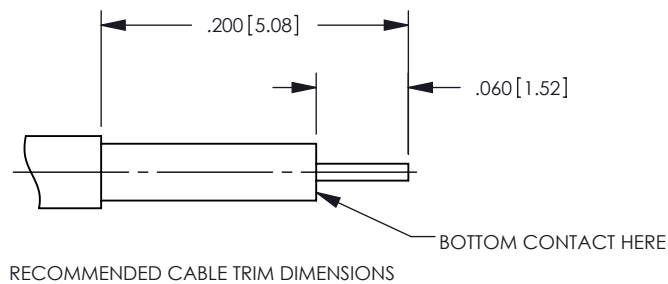
5. CONTACT SHIPPED LOOSE.

6. DESIGNED FOR USE WITH .047 SEMI-RIGID CABLE OR EQUIVALENT.

REV	DESCRIPTION	BY DATE	APPD
B	REVISED PER ECR-ER9991	RAF 08/07/06	DCam



CATALOG P/N: 470-500-0471H



PER ASME Y14.5M-1994 UNLESS OTHERWISE SPECIFIED: DIMENSIONS ARE IN INCHES [MM] TOLERANCES: DECIMAL: .XX ± .01 [0.3] .XXX ± .005 [0.13] .XXXX ± .XXXX ANGLES: ± 2° SCALE: 8:1				Winchester Electronics Corporation 62 Barnes Industrial Road North Wallingford, Connecticut 06492	
CUSTOMER DRAWING				MMCX STRAIGHT PLUG FOR .047 SEMI-RIGID CABLE	
DRAWN PSM	DATE 05/05/06	APPROVED WPM	DATE 05/08/06	A	SD470-500-0471H SHT 1 OF 1
APPROVED TMC	DATE 05/08/06	APPROVED DCam	DATE 05/08/06		