

Omnidirectional Antenna PCMCIA Antenna Model: 506052E

Application - WIRELESS

- ◆ Wireless LAN
- ◆ IEEE 802.11
- ◆ PC Modem PCMCIA

Benefits

- ◆ High Performance
- ◆ Low Cost
- ◆ High Volume

Features

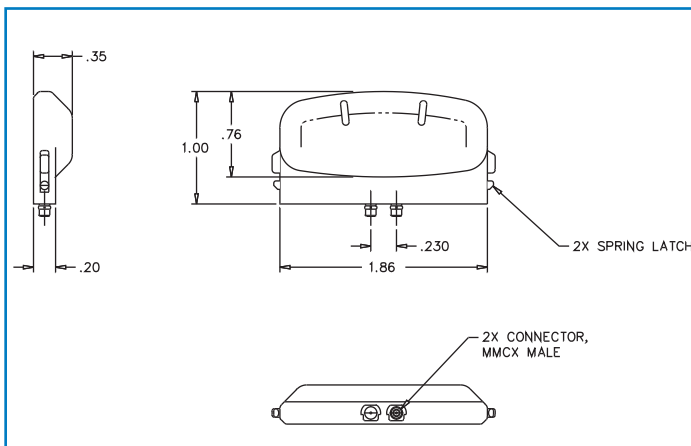
- ◆ Small Size
- ◆ Light Weight
- ◆ Easy Assembly Placement



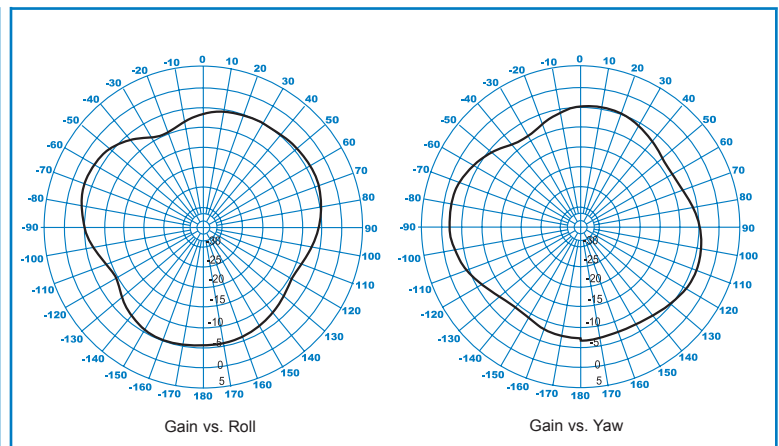
Specifications

Parameter	Specification	Unit
Frequency	2.400 - 2.485	GHz
VSWR	2.0:1	-
Gain	-2 dB Nominal	dB
Beamwidth 3dB	N/A	Degrees
Polarization	Linear	-
Impedance	50	Ohms
Connectors	MMCX	-
Weight	.006	kg

Drawing



Test Data



Note: Performance may vary per application.