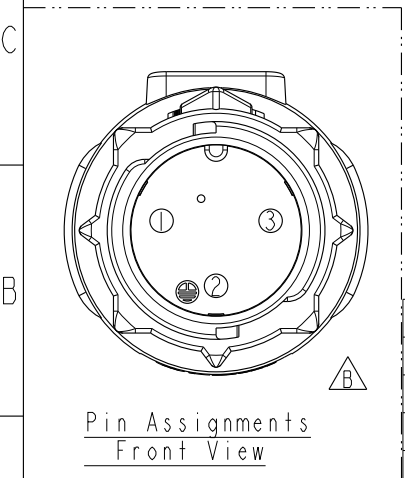
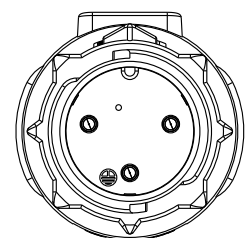
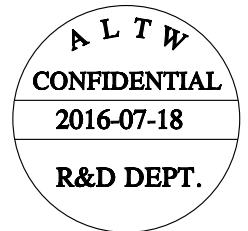
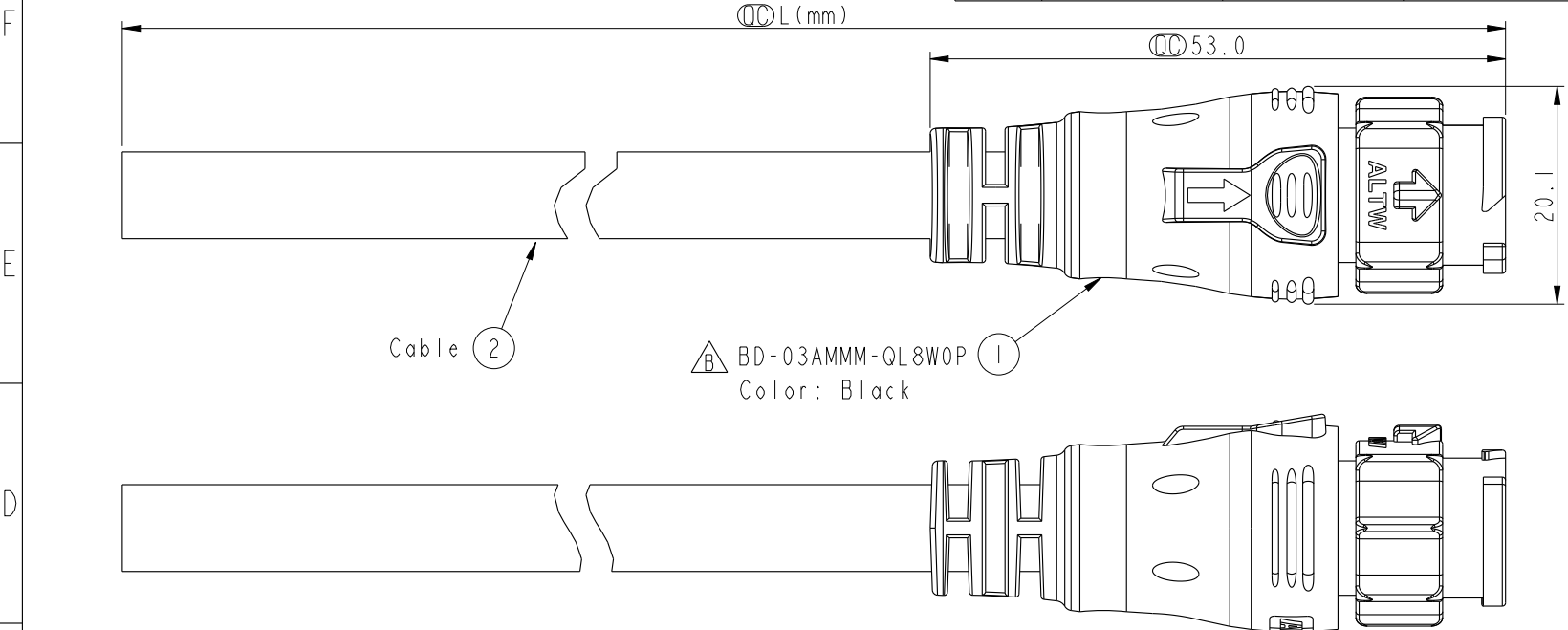


THIS DOCUMENT IS SUBJECT TO CHANGE WITHOUT NOTICE. IT IS CONFIDENTIAL AND A PROPERTY OF Amphenol LTW. DISCLOSURE TO THIRD PARTY HAS TO BE AUTHORIZED BY Amphenol LTW.

REV.	ECN NO.	DATE	SIGN	DESCRIPTION
B	LE31680207	2016-07-18	Tom Gu	Change Part No. of Half Finished



BD-03AMMM-QL8EXX
 XX : 01~99Meters
 01 : 01Meter
 02 : 02Meters
 :
 :
 :
 99 : 99Meters
 Cable Length(L): 01~99Meters

- Note:
- * \varnothing Important Dimension To Check.
 - * Waterproof Rate: IP68(Mated)
(in 1 meter water within 24 hours)
 - * Working Voltage Rating: AC 300 V
 - * Working Current Rating: 5A
 - * Housing: Nylon+GF, Black.
 - * Male Pin: Copper Alloy, Gold Plated.
 - * Cable: SJTW 18AWG*3C + Filler
PVC Jacket UV Resistant, OD=8.0, Black.
 - * Cable Length Tolerance: 01M:±40mm
02M~05M:±60mm
06M~10M:±100mm
11M~30M:±200mm
31M~99M:±500mm

3	White	白
2	Green	綠
1	Black	黑
Conn.	Wire Color	
Pin Out		

UNIT:mm		
TOLERANCE	±0.5	

TITLE X-Lok B-Size (Power) Molding M Conn M 3 Pin			
SCALE 3:2	SIZE A4	SHEET 1 OF 1	
REV. B	WC-REV. A.1	\varnothing : Inspection item	

Amphenol LTW
 安費諾亮泰企業股份有限公司

ITEM NO	DRAWN BY Tom Gu	DATE 2016-07-18
DWG NO BD-03AMMM-QL8EXX	CHECKED BY Spring Liu	DATE 2016-07-18
CUSTOMER ALTW	APPROVED BY Kevin Hu	DATE 2016-07-18