



UCD4S70B

Preliminary

CMOS IC

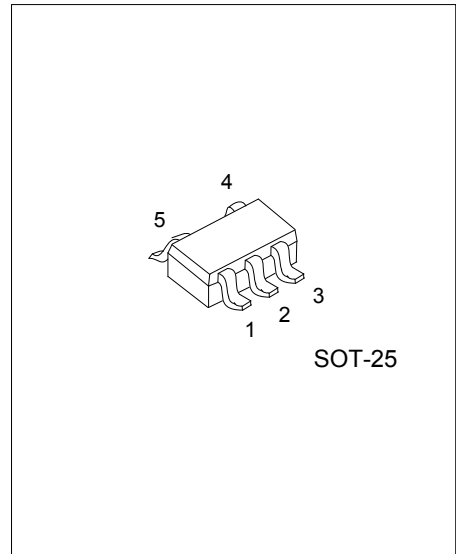
EXCLUSIVE-OR GATE

DESCRIPTION

The **UTC UCD4S70B** contains one Exclusive-OR gate.

FEATURES

- * 5V, 10V, 15V Parametric Ratings
- * Exclusive-OR Gate
- * Symmetrical Output Characteristics

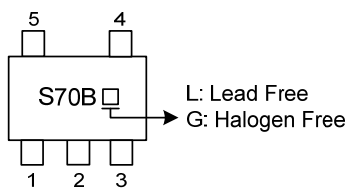


ORDERING INFORMATION

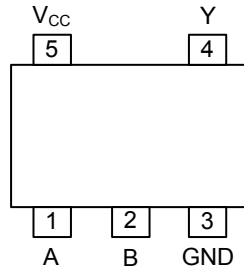
Ordering Number		Package	Packing
Lead Free	Halogen Free		
UCD4S70BL-AF5-R	UCD4S70BG-AF5-R	SOT-25	Tape Reel

<p>UCD4S70BG-AF5-R</p> <p>(1) Packing Type (2) Package Type (3) Green Package</p>	<p>(1) R: Tape Reel (2) AF5: SOT-25 (3) G: Halogen Free and Lead Free, L: Lead Free</p>
---	---

MARKING



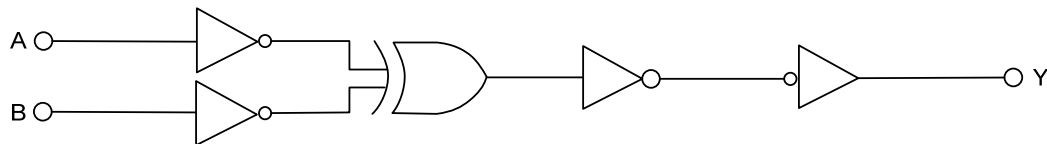
■ PIN CONFIGURATION



■ FUNCTION TABLE

INPUT(A)	INPUT(B)	OUTPUT(Y)
H	H	L
H	L	H
L	H	H
L	L	L

■ LOGIC DIAGRAM (positive logic)



■ ABSOLUTE MAXIMUM RATING

PARAMETER	SYMBOL	RATINGS	UNIT
Supply Voltage	V_{DD}	-0.5 ~ 20	V
Input Voltage	$V_{(nA,nB)}$	-0.5 ~ $V_{DD}+0.5$	V
Storage Temperature	T_{STG}	-65 ~ +150	°C

Note: Absolute maximum ratings are those values beyond which the device could be permanently damaged. Absolute maximum ratings are stress ratings only and functional device operation is not implied.

■ RECOMMENDED OPERATING CONDITIONS

PARAMETER	SYMBOL	RATINGS	UNIT
Supply Voltage	V_{DD}	3 ~ 18	V
Operating Temperature	T_{OPR}	-40 ~ +85	°C

■ ELECTRICAL CHARACTERISTICS ($V_{IN}=12V$, $T_A=25^\circ C$, unless otherwise specified)

PARAMETER	SYMBOL	TEST CONDITIONS	MIN	TYP	MAX	UNIT
High-Level Input Voltage	V_{IH}	$V_{DD}=5V$, $V_O=0.5V$ or $4.5V$	3.5			V
		$V_{DD}=10V$, $V_O=1.0V$ or $9V$	7.0			V
		$V_{DD}=15V$, $V_O=1.5V$ or $13.5V$	11			V
Low-Level Input Voltage	V_{IL}	$V_{DD}=5V$, $V_O=0.5V$ or $4.5V$			1.5	V
		$V_{DD}=10V$, $V_O=1.0V$ or $9V$			3.0	V
		$V_{DD}=15V$, $V_O=1.5V$ or $13.5V$			4.0	V
High-Level Output Voltage	V_{OH}	$V_{DD}=5V$, $V_I=0V$ or $5V$	4.95	5		V
		$V_{DD}=10V$, $V_I=0V$ or $10V$	9.95	10		V
		$V_{DD}=15V$, $V_I=0V$ or $15V$	14.95	15		V
Low-Level Output Voltage	V_{OL}	$V_{DD}=5V$, $V_I=0V$ or $5V$		0	0.05	V
		$V_{DD}=10V$, $V_I=0V$ or $10V$		0	0.05	V
		$V_{DD}=15V$, $V_I=0V$ or $15V$		0	0.05	V
High-Level Output Current (Note)	I_{OH}	$V_{DD}=5V$, $V_O=4.6V$	-0.51	-1.0		mA
		$V_{DD}=5V$, $V_O=2.5V$	-2.1	-4.0		mA
		$V_{DD}=10V$, $V_O=9.5V$	-1.3	-2.2		mA
		$V_{DD}=15V$, $V_O=13.5V$	-3.4	-9.0		mA
Low-Level Output Current (Note)	I_{OL}	$V_{DD}=5V$, $V_O=0.4V$	0.51	1.0		mA
		$V_{DD}=10V$, $V_O=0.5V$	1.3	2.6		mA
		$V_{DD}=15V$, $V_O=1.5V$	3.4	12		mA
Input Leakage Current	$I_{I(LEAK)}$	$V_{DD}=15V$, $V_{IN}=V_{DD}$ or GND			± 0.1	μA
Quiescent Supply Current	I_Q	$V_{DD}=5V$, $V_{IN}=V_{DD}$ or GND, $I_{OUT}=0$		0.001	1	μA
		$V_{DD}=10V$, $V_{IN}=V_{DD}$ or GND, $I_{OUT}=0$		0.002	2	μA
		$V_{DD}=15V$, $V_{IN}=V_{DD}$ or GND, $I_{OUT}=0$		0.002	4	μA

■ SWITCHING CHARACTERISTICS

($T_A=25^\circ C$, $V_{SS}=0V$, $C_L=50pF$, unless otherwise specified)

PARAMETER	SYMBOL	TEST CONDITIONS	MIN	TYP	MAX	UNIT
Propagation Delay Time	t_{PLH} / t_{PHL}	$V_{DD}=5V$		90	280	ns
		$V_{DD}=10V$		45	130	ns
		$V_{DD}=15V$		35	100	ns
Transition Time	t_{TLH} / t_{THL}	$V_{DD}=5V$		70	200	ns
		$V_{DD}=10V$		35	100	ns
		$V_{DD}=15V$		30	80	ns

■ OPERATING CHARACTERISTICS ($T_A=25^\circ C$, unless otherwise specified)

PARAMETER	SYMBOL	TEST CONDITIONS	MIN	TYP	MAX	UNIT
Input Capacitance	C_{IN}			5	7.5	pF

■ TYPICAL APPLICATION CIRCUIT

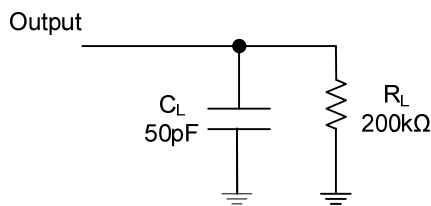


Fig 1. Definitions for test circuit

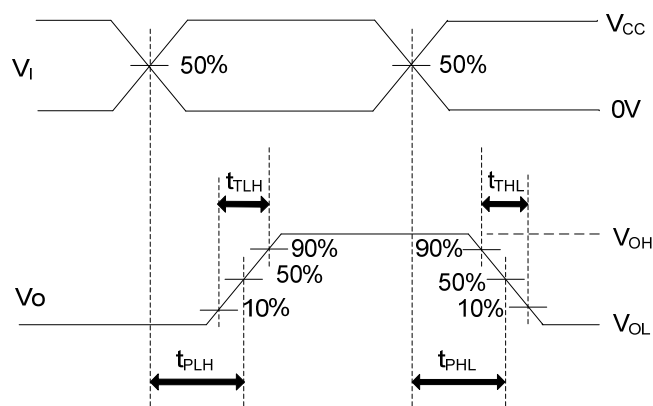


Fig 2. Propagation Delay Times

Note: C_L includes probe and jig capacitance.

UTC assumes no responsibility for equipment failures that result from using products at values that exceed, even momentarily, rated values (such as maximum ratings, operating condition ranges, or other parameters) listed in products specifications of any and all UTC products described or contained herein. UTC products are not designed for use in life support appliances, devices or systems where malfunction of these products can be reasonably expected to result in personal injury. Reproduction in whole or in part is prohibited without the prior written consent of the copyright owner. UTC reserves the right to make changes to information published in this document, including without limitation specifications and product descriptions, at any time and without notice. This document supersedes and replaces all information supplied prior to the publication hereof.