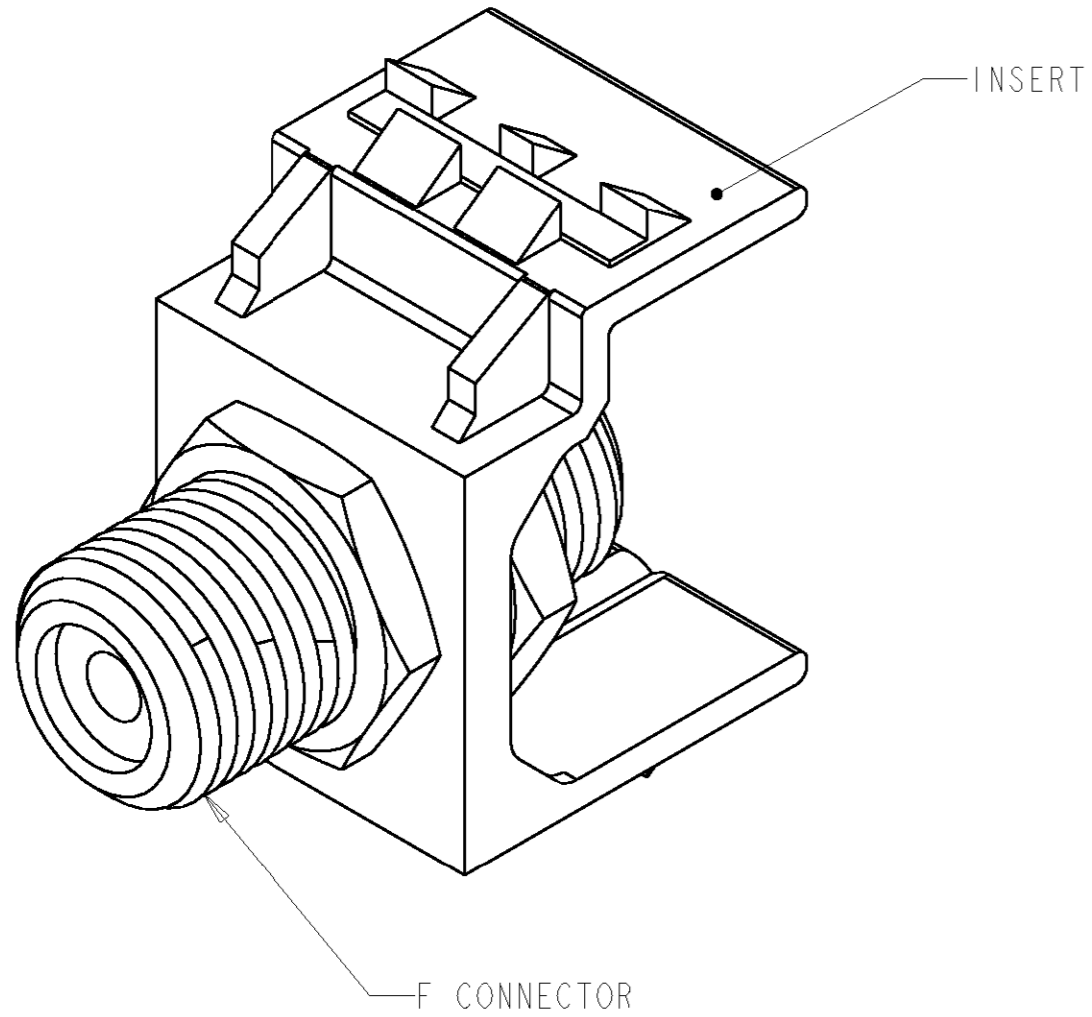
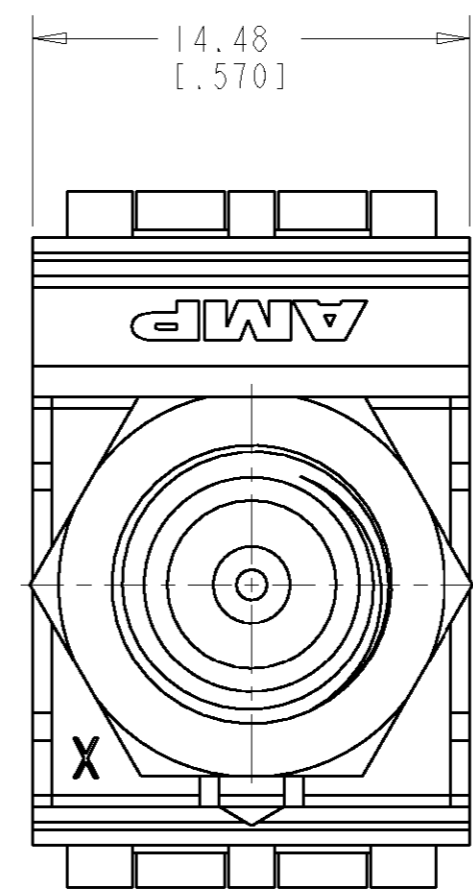
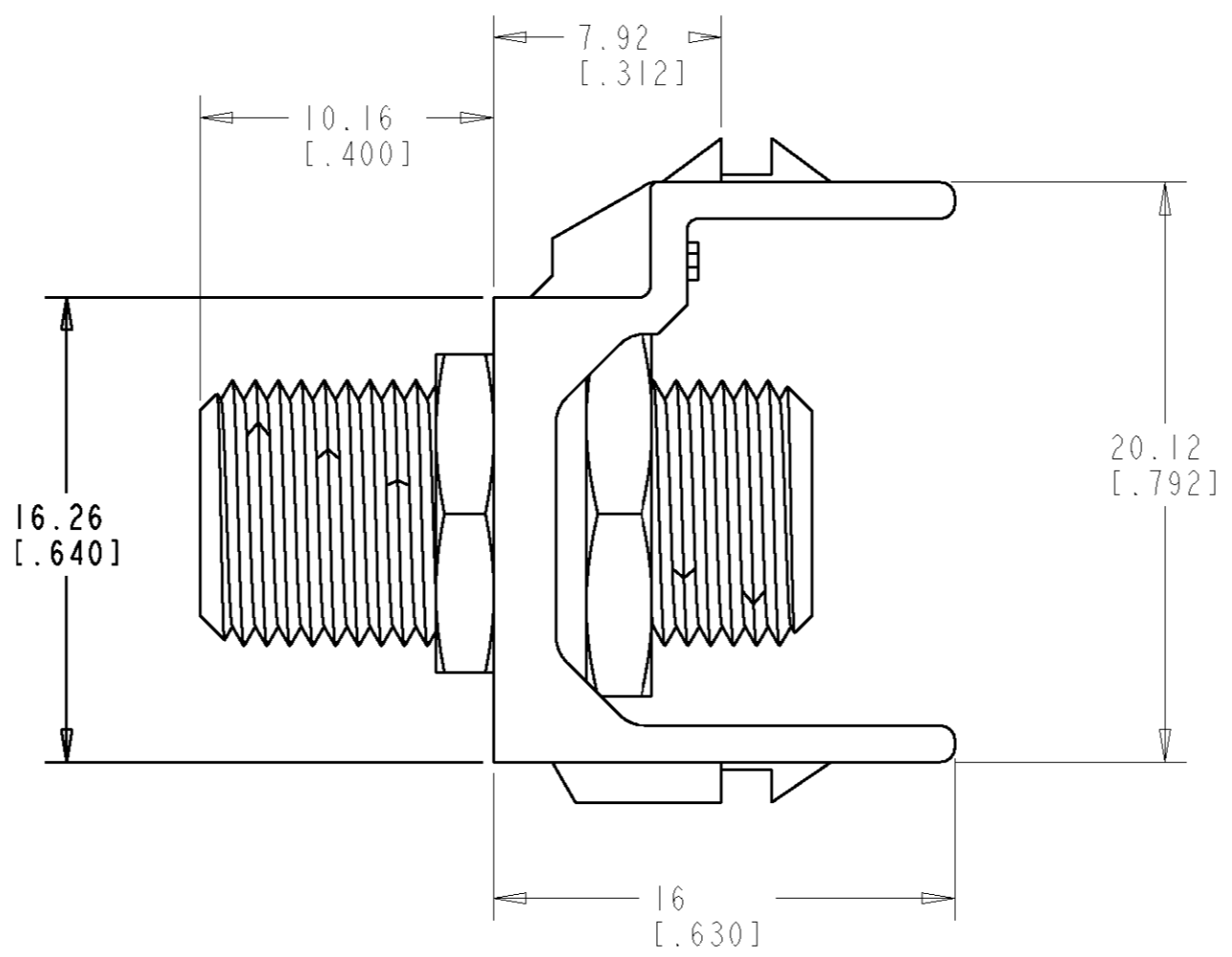


THIS DRAWING IS UNPUBLISHED. RELEASED FOR PUBLICATION  
 © COPYRIGHT 19 BY TYCO ELECTRONICS CORPORATION. ALL RIGHTS RESERVED.

LOC	DIST	REVISIONS					
		P	LTR	DESCRIPTION	DATE	DWN	APVD
HM	00		O	RELEASED NPR PT99-005	15SEP99	TLP	RM
			A	REV; EC 0B40-0083-01	18MAY01	LH	GB



△ MATERIAL:  
 INSERT: ABS MOLDING COMPOUND.  
 SEE TABLE FOR COLOR.  
 CONNECTOR: NICKEL PLATED ZINC.



ELEC IVORY	1-1339121-1
NEMA GRAY	1339121-4
WHITE	1339121-3
BLACK	1339121-2
LT ALMOND	1339121-1
COLOR	PART NO

THIS DRAWING IS A CONTROLLED DOCUMENT FOR TYCO ELECTRONICS CORPORATION IT IS SUBJECT TO CHANGE AND THE CONTROLLING ENGINEERING ORGANIZATION SHOULD BE CONTACTED FOR THE LATEST REVISION.		DWN I. PITTS 15SEP99	AMP Incorporated Harrisburg, PA 17105-3608
DIMENSIONS: mm(INCHES)		CHK R. MARTIN 19NOV99	
TOLERANCES UNLESS OTHERWISE SPECIFIED: 0 PLC ± 1 PLC ± 2 PLC ±.13(.005) 3 PLC ± 4 PLC ± ANGLES ± FINISH -		APVD R. MARTIN 09DEC99	
MATERIAL -		PRODUCT SPEC - APPLICATION SPEC - WEIGHT -	
		NAME KIT, F CONNECTOR INSERT - SL SERIES	
		SIZE A2 CAGE CODE 00779 DRAWING NO. 1339121 RESTRICTED TO - SCALE 4:1 SHEET 1 OF 1 REV A	
CUSTOMER DRAWING			