

\* SINCE 1976 \*

## DPDT—DIP PC STANDARD or SENSITIVE 2.0 AMP BIFURCATED CONTACT RELAY

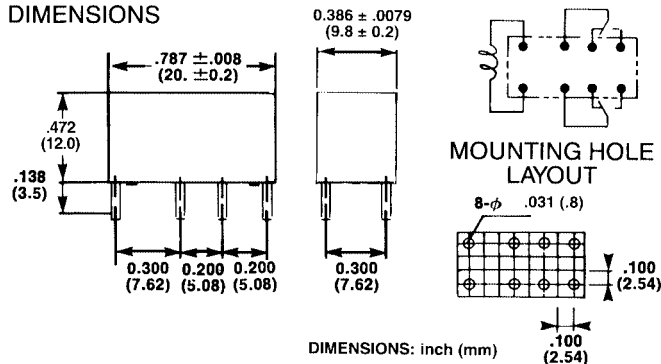


### FEATURES

- Sensitive available.
- Fully sealed.



### DIMENSIONS



### COIL RATINGS FOR STANDARD CAS 112

Relay Code (V)	Contact Arrangement	Nom. Volt. (VDC)	Coil Resist. (Ω ±10%)	Nom. Curr. (mA)	Pick-Up Volt. (VDC)	Drop-Out Volt. (V)	Max. Volt. (VDC)	Nom. Pwr (W) Cons'p-tion
CAS-112-5	DPDT (2 Form C)	5	45	111.0	3.5	0.5	7.8	Approx. 0.56
CAS-112-6		6	70	90.9	4.4	0.6	9.7	
CAS-112-9		9	140	85.7	6.3	0.9	12.6	
CAS-112-12		12	280	43.1	8.7	1.2	19.4	
CAS-112-24		24	1070	22.4	17.6	2.4	37.6	
CAS-112-48		48	4300	11.1	35.7	4.8	74.2	

Data Measured at 20°C

### COIL RATINGS FOR SENSITIVE CS 212

Relay Code (V)	Contact Arrangement	Nom. Volt. (VDC)	Coil Resist. (Ω ±10%)	Nom. Curr. (mA)	Pick-Up Volt. (VDC)	Drop-Out Volt. (V)	Max. Volt. (VDC)	Nom. Pwr (W) Cons'p-tion
CS-212-5	DPDT (2 Form C)	5	167	29.9	3.2	0.5	15.0	0.15
CS-212-6		6	240	25.0	3.7	0.6	18.0	0.15
CS-212-9		9	540	16.7	5.8	0.9	27.0	0.15
CS-212-12		12	960	12.5	8.2	1.2	35.6	0.15
CS-212-18		18	2160	8.3	11.8	1.8	53.4	0.15
CS-212-24		24	3840	6.3	16.6	2.4	70.1	0.15
CS-212B-48		48	11520	4.2	28.1	4.8	121.4	0.20
CS-212-48		48	7680	6.5	22.6	4.8	99.1	0.31

The tolerance is ±10% for the resistance value, pull-in voltage and drop-out voltage. The values are at ambient temperature, 20°C.

### RATING PERFORMANCE

		Specifications	Note
Contact	Contact Arrangement	DPDT, 2 Form C	
	Contact Material	Gold-clad, Ag-Pd alloy	
	Contact Resistance	100 mΩ	at initial value
	Max. Switching Power	DC 30W AC 50 VA	at resistive load
	Max. Switching Voltage	125VDC 150VAC	
Max. Switching Current	2A 30VDC 0.6 / 125 VAC 2.5A @ 12V		
Time	Operate Time (Type CS)	Approx. 5 msec.	
	Operate Time (Type CAS)	Approx. 5 msec.	
	Release Time (Type CS)	Approx. 3 msec.	
	Release Time (Type CAS)	Approx. 5 msec.	
	Bounce Time (Operating)	Approx. 0.5 to 1 msec.	
Bounce Time (Releasing)	Approx. 0.25 to 3 msec.		
Insulation Resistance		1000 MΩ	at 500 VAC, 25°C, 50% relative humidity
Dielectric Strength	1000VAC Between coil and contacts 1000VAC Between open contacts		CAS, CS
FCC Surge Strength	1500V Between coil and contacts Between Adjacent contacts		CS
Vibration Resistance		10g (10 - 55 Hz)	
Temperature		-25°C ~ +75°C -25°C ~ +85°C	CAS, CS
Life	Mechanical Life	2 x 10 <sup>7</sup> times	at 20mV 1KHz 1mA resistive load
	Electrical Life	2 x 10 <sup>6</sup> times	
Weight		5 g	