

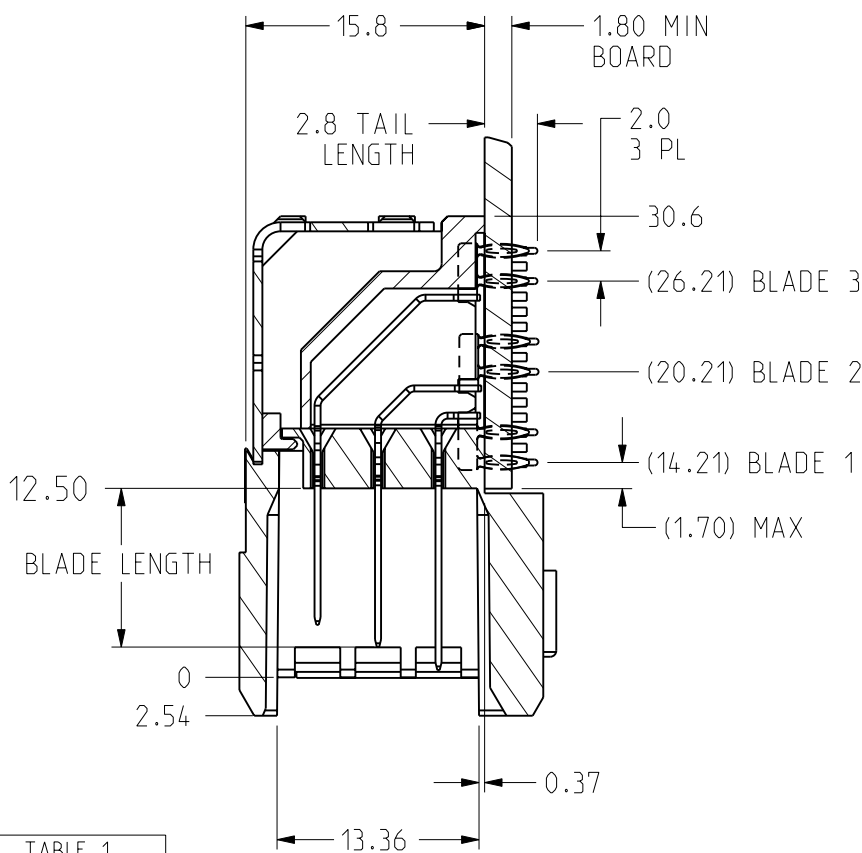
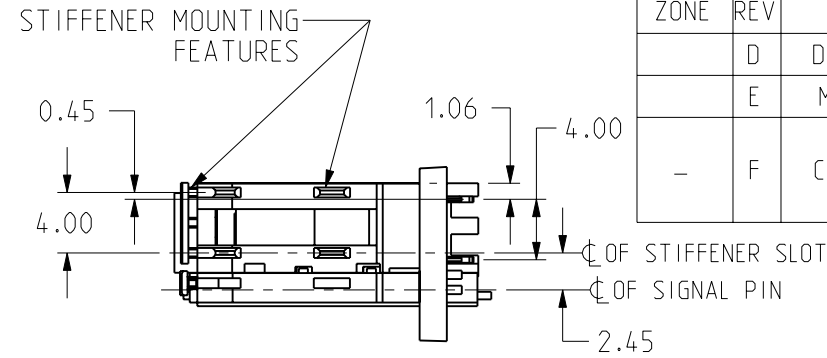
4

3

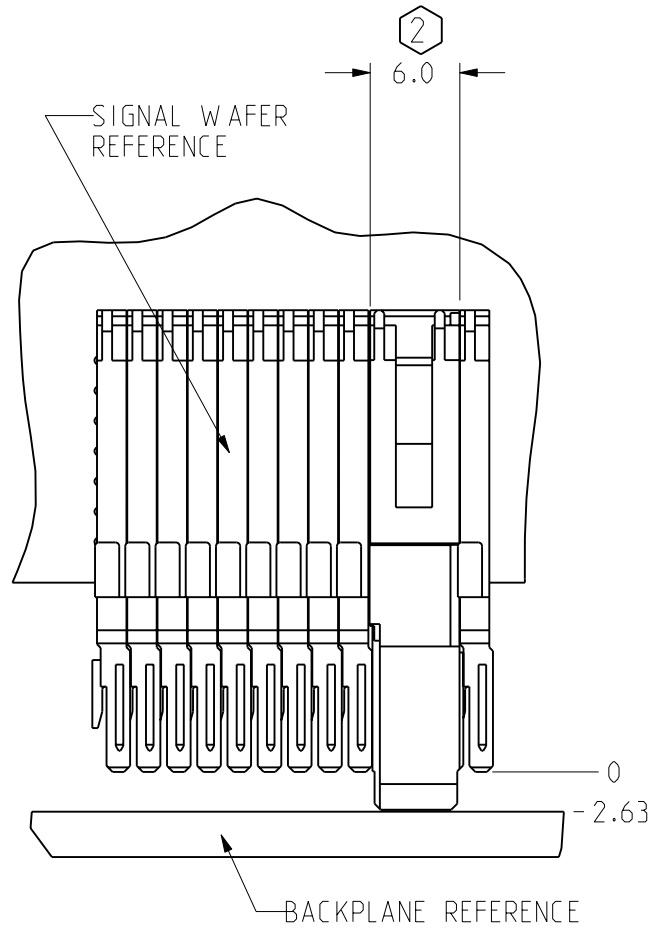
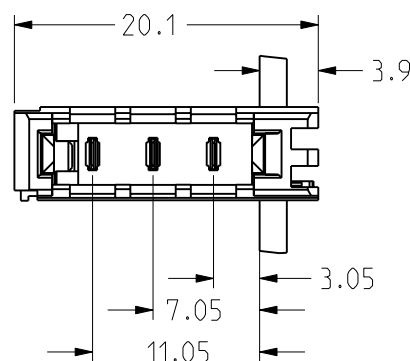
DRW NO.	SH	REV
C-437-5800-500	1	F

ZONE	REV	SCR NO.	DESCRIPTION	BY	DATE	APPROVED
	D	DMAG-6BNMPE.VER02	ADDED LEAD FREE PLATING OPTION	GKR	05/06/05	S.BAIR
	E	MLEE-6KHPPP.VER01	REPLACED DRAWING FORMAT	M.LEE	01/24/06	C.SAMMIS
-	F	CSAS-824TZD.VER01	ADDED NEW PART NUMBERS FOR NEW PLATING CODES IN PART NUMBER TREE. ADDED NOTE 3.	HCL-GM	02/02/2010	C.SAMMIS

- NOTES:
- ① FOR EACH ADDITIONAL POWER MODULE ADD 6.00mm
  - ② USE 6.00mm NOMINAL FOR DAUGHTERCARD LAYOUT.
  - ③ 7th DIGIT OF PART NUMBER IDENTIFIES PLATING.



NUMBER	LENGTH
1	7.5
2	9.0
3	10.5
4	12.0

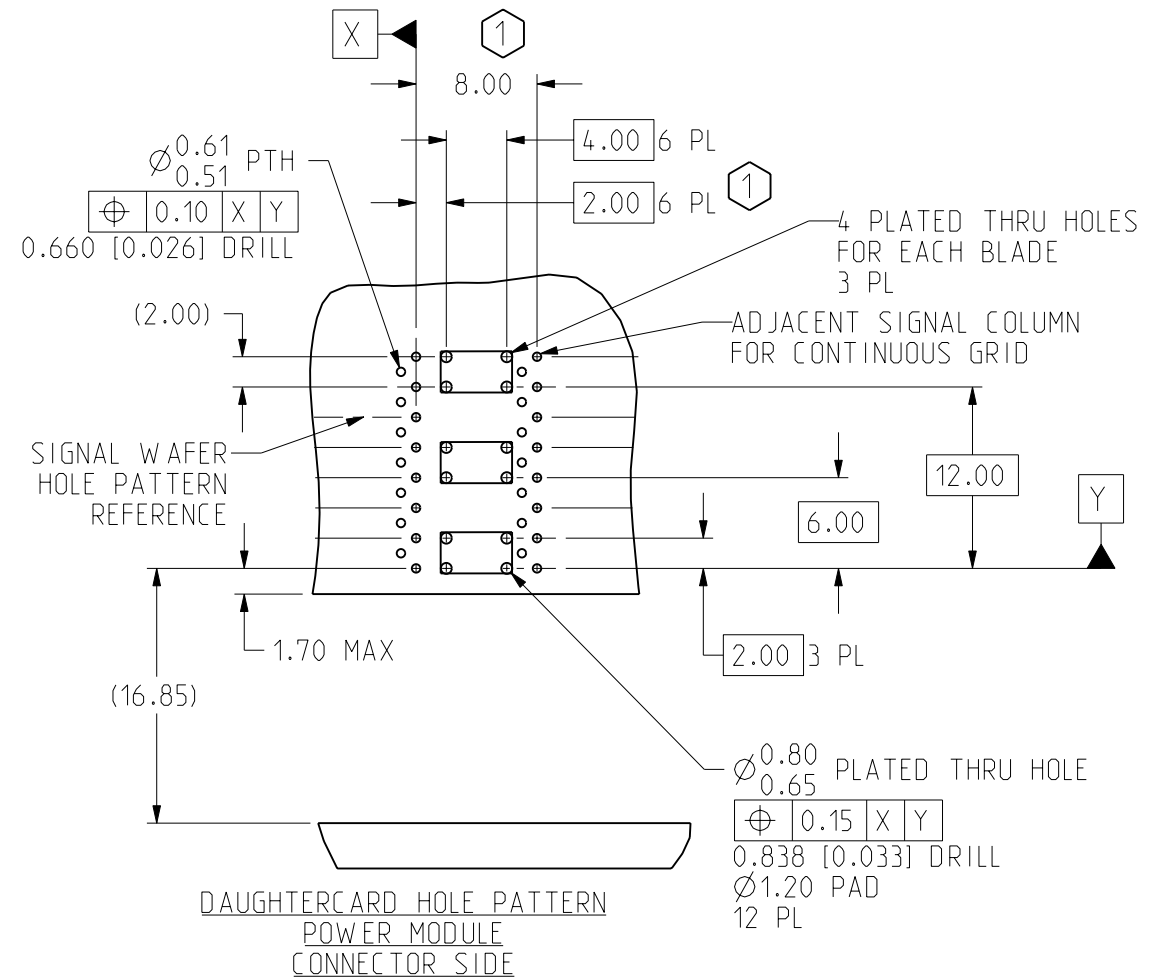


PART NUMBER CONFIGURATIONS

③ 437-580X-WYZ

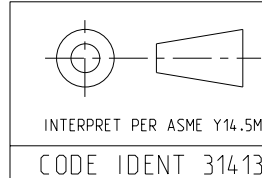
- PLATING
- 0 = Ni SULFAMATE, STANDARD GOLD, LEADED
  - 1 = Ni SULFAMATE, HIGH GOLD, LEADED
  - 2 = Ni SULFAMATE, STANDARD GOLD, LEAD-FREE
  - 3 = Ni SULFAMATE, HIGH GOLD, LEAD-FREE
  - 4 = NANO Ni, STANDARD GOLD, LEADED
  - 5 = NANO Ni, HIGH GOLD, LEADED
  - 6 = NANO Ni, STANDARD GOLD, LEAD-FREE
  - 7 = NANO Ni, HIGH GOLD, LEAD-FREE

- BLADE 1 (SEE TABLE 1)
- BLADE 2 (SEE TABLE 1)
- BLADE 3 (SEE TABLE 1)



TOLERANCES		DESIGN 12/04/96 D.PROVENCHER
0.0	±0.25	DRAWN 04/16/97 J.VARHEGYI
0.00	±0.13	CHK 04/18/97 D.PROVENCHER
0.000	± -	APVD 08/11/98 C.MURPHY
ANGLES	± -	

UNLESS OTHERWISE SPECIFIED DIMENSIONS ARE IN MM. DECIMAL MARKER IS A PERIOD



CUSTOMER USE DRAWING

<b>Amphenol TCS</b> A Division of Amphenol Corporation 200 Innovative Way, Nashua, NH 03062 603.879.3000	
TITLE DC POWER MODULE VHDM 8 ROW	REV N/A
PART NO. SEE PART NUMBER TREE	REV F
DRAWING NO. C-437-5800-500	REV F
Pro/E type: P1006-CU-DC-PWR Pro/E DRAWING: C-437-5800-500	
SIZE B	SHEET 1 OF 1

DRW NO.  
C-437-5800-500

SH  
1  
REV  
F

4

3

2

1