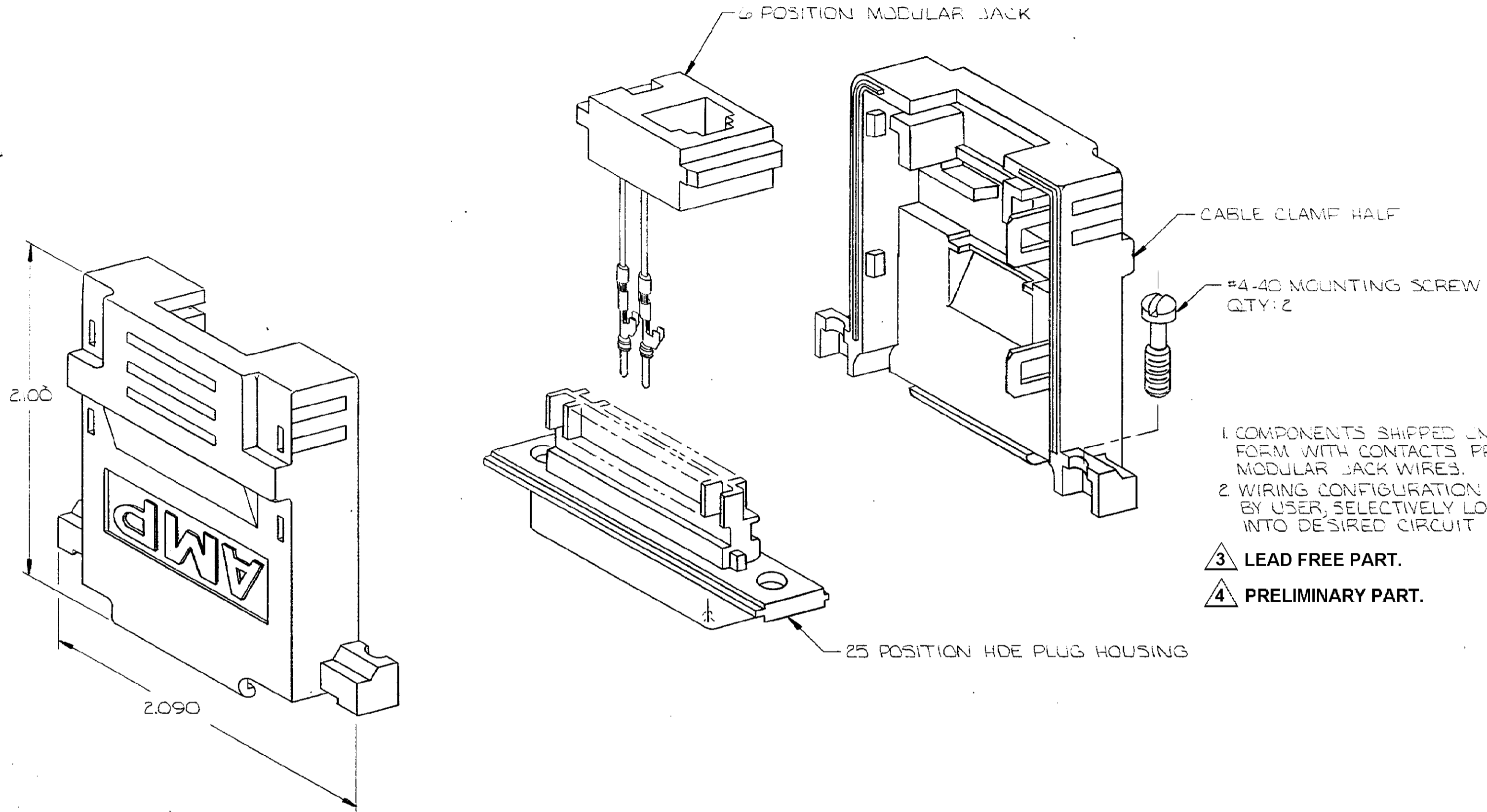


THIS DRAWING IS UNPUBLISHED. RELEASED FOR PUBLICATION 19
 © COPYRIGHT 19 BY AMP INCORPORATED, HARRISBURG, PA. ALL INTERNATIONAL RIGHTS RESERVED. AMP PRODUCTS MAY BE COVERED BY U.S. AND FOREIGN PATENTS AND/OR PATENTS PENDING.

REVISIONS				DATE	APPROVED
P	F	ZONE	LTR	DESCRIPTION	
		B		REV PER 0G3C-0209-03	22JUL03 JO



- 1 COMPONENTS SHIPPED UNASSEMBLED IN KIT FORM WITH CONTACTS PRETERMINATED ON MODULAR JACK WIRES.
- 2 WIRING CONFIGURATION TO BE DETERMINED BY USER, SELECTIVELY LOADING CONTACTS INTO DESIRED CIRCUIT POSITIONS.

- 3 LEAD FREE PART.
- 4 PRELIMINARY PART.

4	3	748100-2
		748100-1
		PART NO

UNLESS OTHERWISE SPECIFIED DIMENSIONS ARE IN INCHES. TOLERANCES ON: DECIMALS ±.010 ANGLES ± — MATERIAL MOLDED PARTS: FLAME RETARDANT BLACK THERMOPLASTIC SCREWS: STEEL FINISH SCREWS: ZINC PLATED	CONTRACT NO	AMP AMP INCORPORATED Harrisburg, Pa. 17105		
	DR <i>C. Richard 8-2-85</i>			NAME RS 232 / 6 POS. MODULAR JACK INTERFACE CONNECTOR KIT, AMPLIMITE
	CHK <i>Weldon 9-13-85</i>	APPD <i>J.M. Perkins 9-18-85</i>	SIZE C	FSCM NO 00779
	APPD <i>V. Kumar 9/18/85</i>	OTHER APPD	DRAWING NO 748100	SHEET
		SCALE NTS		

748100