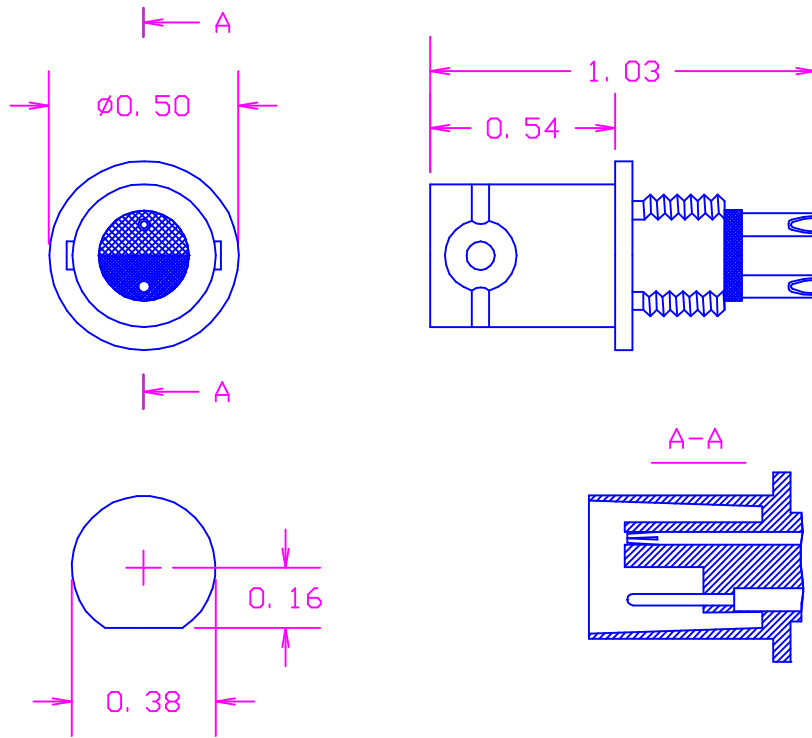
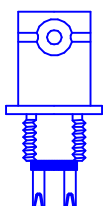


DATE	SYM	REVISION	RECORD	AUTH.	DR.	CK.
3/25/98	-	ISSUED			NT	GH



MATERIAL: BODY- BRASS PER ASTM B16,ALLOY C 36000
 FEMALE CONTACT- BERYLLIUM COPPER PER ASTM B196
 MALE CONTACT- BRASS PER ASTM B16,ALLOY C 36000
 INSULATION- PTFE PER ASTM D1457
 FINISH: BODY- KINGS TARNISH RESISTANT ALLOY
 ELECTRODEPOSITED FINISH
 CONTACT- .0001" MIN.GOLD PLATE
 PER MIL-G-45204B
 NOMINAL IMPEDANCE: 78 OHMS
 SUPPLIED WITH HEX. NUT AND LOCKWASHER

ACTUAL SIZE



TOLERANCES	CONCORD ELECTRONICS CORPORATION		
DECIMAL + .010 - .010	P/N	SCALE	30 GREAT JONES ST. NEW YORK N. Y. 10012
FRACTIONAL + -	TITLE BNC TWINAX BULKHEAD RECEPTACLE		
ANGULAR + -	DATE 3-9-98	DRAWING NUMBER 800-2495-03-81	