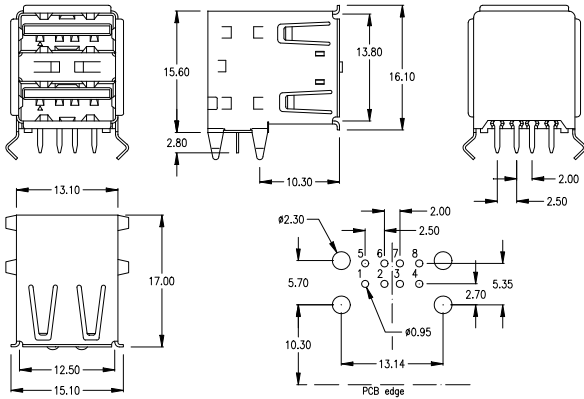


USS Series Multi Port USB Connector Type „A”



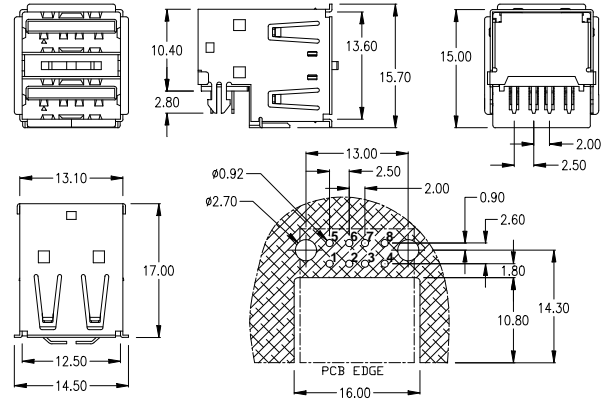
dual port right angle; soldertail



ORDER CODE:

USB 1.0 corresponding **USS - W08 - RA02 - 95** (- B08 - if black housing)
 USB 2.0 corresponding **USS - W08 - RA22 - 98** (- B08 - if black housing)

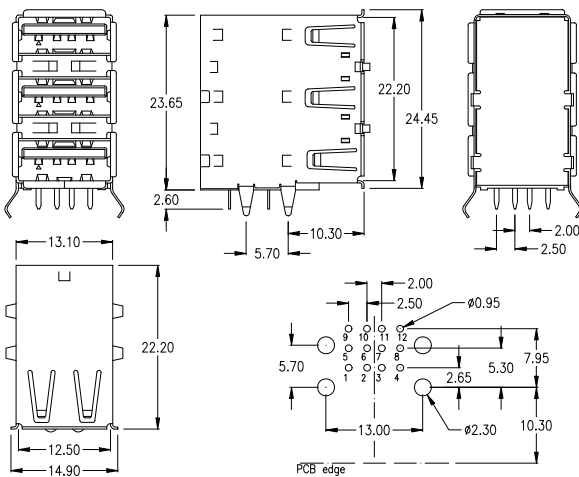
dual port "low profile" right angle; soldertail



ORDER CODE:

USB 1.0 corresponding **ULS - W08 - RA02 - 95** (- B08 - if black housing)
 USB 2.0 corresponding **ULS - W08 - RA22 - 98** (- B08 - if black housing)

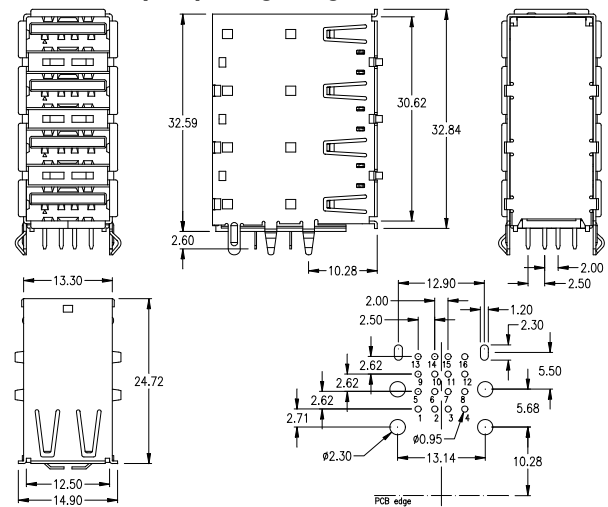
triple port right angle; soldertail



ORDER CODE:

USB 1.0 corresponding **USS - B12 - RA03 - 95** (- W12 - if black housing)
 USB 2.0 corresponding **USS - B12 - RA23 - 98** (- W12 - if black housing)

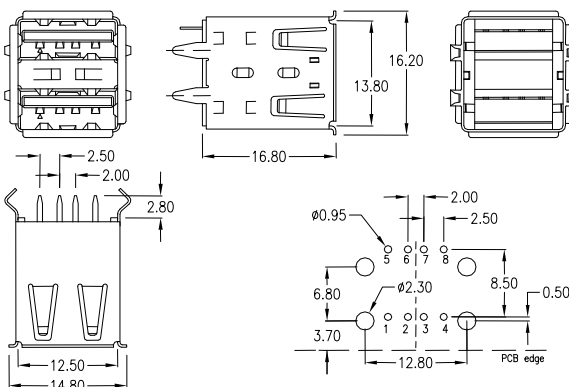
quad port right angle; soldertail



ORDER CODE:

USB 1.0 corresponding **USS - B16 - RA04 - 95** (- W16 - if black housing)
 USB 2.0 corresponding **USS - B16 - RA24 - 98** (- W16 - if black housing)

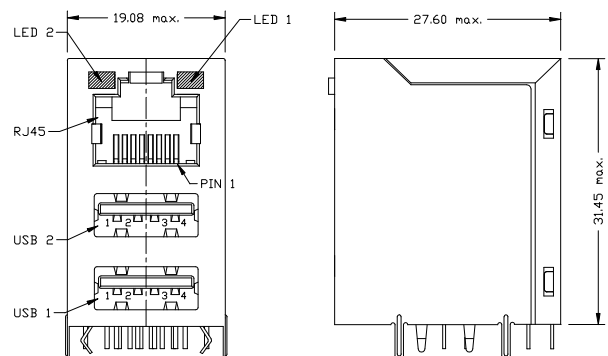
dual port "top entry"; soldertail



ORDER CODE:

USB 1.0 corresponding **USS - W08 - TA02 - 95** (- B08 - if black housing)
 USB 2.0 corresponding **USS - W08 - TA22 - 98** (- B08 - if black housing)

USB / RJ45 Combi Multi Port



E-tec also offers a USB / RJ45 Combi Multi Port as TX filtered transformer type with integrated LED. Datasheets of the different available variations can be obtained on www.e-tec.com or from your closest E-tec sales office.

Specification

Material

Contact	(RoHS compliant) Phosphor Bronze
Plating:	
Contact area	Au flash over Ni (USB 1.0 corresponding) Au 30µ" over Ni (USB 2.0 corresponding)
Solder area	Sn (leadfree)
Housing	(RoHS compliant) PBT UL 94-V0
Shell	(RoHS compliant) Brass, 80µ"-120µ" Ni plated

Mechanical

Mating cycles	1.500 min.
---------------	------------

Electrical

Current rating	1.5 A max. 1 Contact (Signal only)
Voltage rating	30V AC (rms)
Withstanding voltage	750V AC (rms) 1 Minute (USB 1.0) 500V AC (rms) 1 Minute (USB 2.0)
Insulation resistance	1.000MΩ min. (500V DC)
Contact resistance	30mΩ max.

Others

Operating temperature	-55° C to +85° C
-----------------------	------------------