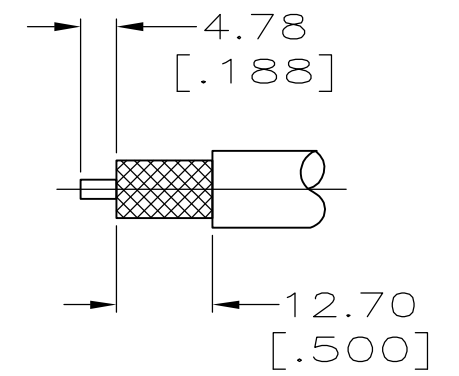
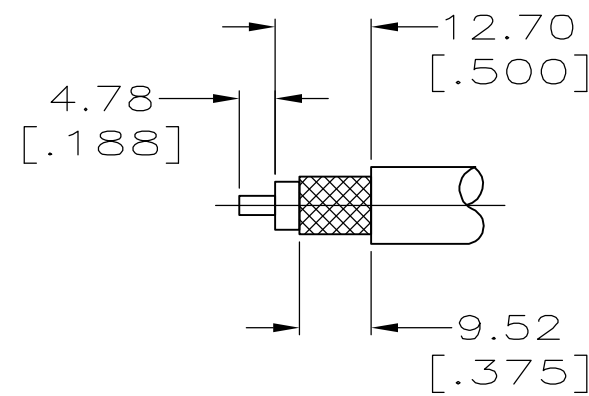
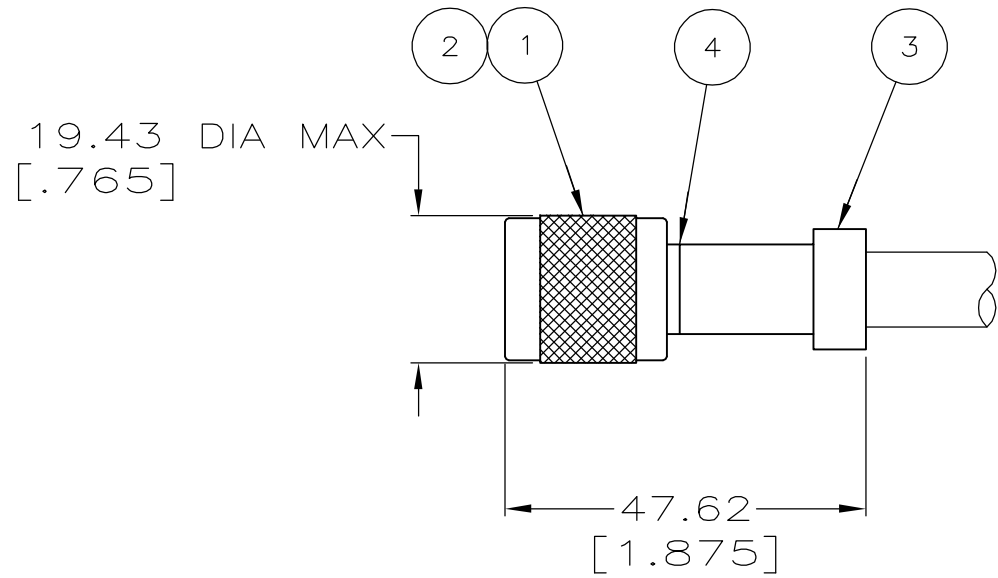


THIS DRAWING IS UNPUBLISHED. RELEASED FOR PUBLICATION
 © COPYRIGHT BY TYCO ELECTRONICS CORPORATION. ALL RIGHTS RESERVED.

LOC	DIST	REVISIONS			
P	LTR	DESCRIPTION	DATE	DWN	APVD
		G	REVISED PER EC OS14-0012-05	01MAR05	BM JL

1. SEE INSTRUCTION SHEET #2259-1.
 2. OBSOLETE PART NUMBER.



DETAIL A

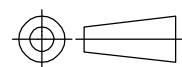
DETAIL B

RECOMMENDED STRIP LENGTH

A	220045-2	RG-142/U	-	9-225560-0	225205-4	226489-2	1-225672-4
-	-	-	-	-	-	-	2 1-225672-3
-	-	-	-	-	-	-	2 1-225672-2
-	-	-	-	-	-	-	2 225672-5
-	-	-	-	-	-	-	2 225672-3
DETAIL	TOOL NO.	CABLE	4 SEAL QTY=1	3 FERRULE QTY=1	2 CONTACT QTY=1	1 PLUG ASSY QTY=1	PART NUMBER

THIS DRAWING IS A CONTROLLED DOCUMENT.

DIMENSIONS:
INCHES



TOLERANCES UNLESS OTHERWISE SPECIFIED:

0 PLC	± -
1 PLC	± -
2 PLC	± 0.41 [.016]
3 PLC	± -
4 PLC	± -
ANGLES	± -
FINISH	-

MATERIAL

-

DWN 6-18-91

S.D.KOHL

CHK 11-15-91

B. MOYER

APVD 12-13-91

M. SNEED

PRODUCT SPEC 12-13-91

M. SNEED

APPLICATION SPEC

-

WEIGHT

-



Tyco Electronics Corporation
Harrisburg, Pa 17105-3608

NAME

PLUG, WEATHERPROOF, SERIES C

SIZE

A3

CAGE CODE

00779

DRAWING NO

C-225672

RESTRICTED TO

-

CUSTOMER DRAWING

SCALE 1:1

SHEET 1 OF 1

REV G