



Raychem

TE Internal #: 575279-000

Hook Up Wire, Spec 55F, 600V Voltage Rating, Violet Wire Color, 18AWG Wire Size, .823mm² Wire Size, Operating Temperature Range -65 – 150 °C

[View on TE.com >](#)

Wire & Cable > Hook Up Wire



Cable Type: **Spec 55F**

Voltage Rating: **600 V**

Wire Color: **Violet**

Insulation Material: **Radiation-Crosslinked, Modified ETFE**

Conductor Material: **Tin-Plated Copper**

Features

Product Type Features

Cable Style	Primary
Product Type	Wire
Product Classification	Cable - High Performance - Spec 44, 55 & RCW
Cable Type	Spec 55F

Configuration Features

Number of Conductors	1
Number of Strands	19

Electrical Characteristics

Voltage Rating	600 V
----------------	-------

Body Features

Jacket Color	Violet
Wire Color	Violet
Insulation Material	Radiation-Crosslinked, Modified ETFE
Conductor Material	Tin-Plated Copper

Dimensions

Overall Outside Diameter	1.778 mm[.07 in]
--------------------------	------------------



Wire Diameter	1.778 mm[.07 in]
---------------	------------------

Conductor Diameter	1.27 mm[.05 in]
--------------------	-----------------

Strand Size	30 AWG
-------------	--------

Wire Size	.823 mm ²
-----------	----------------------

Usage Conditions

Operating Temperature Range	-65 – 150 °C
-----------------------------	--------------

Other

Wire Source	United States
-------------	---------------

Product Compliance

[For compliance documentation, visit the product page on TE.com>](#)

EU RoHS Directive 2011/65/EU	Compliant
------------------------------	-----------

EU ELV Directive 2000/53/EC	Compliant
-----------------------------	-----------

China RoHS 2 Directive MIIT Order No 32, 2016	No Restricted Materials Above Threshold
---	---

EU REACH Regulation (EC) No. 1907/2006	Current ECHA Candidate List: JUN 2020 (209) Candidate List Declared Against: JAN 2019 (197) Does not contain REACH SVHC
--	---

Halogen Content	Out of Scope - excluded from Halogen requirements
-----------------	---

Solder Process Capability	Not applicable for solder process capability
---------------------------	--

Product Compliance Disclaimer

This information is provided based on reasonable inquiry of our suppliers and represents our current actual knowledge based on the information they provided. This information is subject to change. The part numbers that TE has identified as EU RoHS compliant have a maximum concentration of 0.1% by weight in homogenous materials for lead, hexavalent chromium, mercury, PBB, PBDE, DBP, BBP, DEHP, DIBP, and 0.01% for cadmium, or qualify for an exemption to these limits as defined in the Annexes of Directive 2011/65/EU (RoHS2). Finished electrical and electronic equipment products will be CE marked as required by Directive 2011/65/EU. Components may not be CE marked. Additionally, the part numbers that TE has identified as EU ELV compliant have a maximum concentration of 0.1% by weight in homogenous materials for lead, hexavalent chromium, and mercury, and 0.01% for cadmium, or qualify for an exemption to these limits as defined in the Annexes of Directive 2000/53/EC (ELV). Regarding the REACH Regulation, the information TE provides on SVHC in articles for this part number is based on the latest European Chemicals Agency (ECHA) 'Guidance on requirements for substances in articles' posted at this URL: <https://echa.europa.eu/guidance-documents/guidance-on-reach>

Compatible Parts



TE Model / Part # 650075-000
D-436-37

Customers Also Bought



TE Model / Part #173924-1
2 P ACTION PIN UMNL



TE Model / Part #1410190-3
MULTIGIG RT T2 7RW DC SE CT RT2



TE Model / Part #1-406507-4
IMJ,1X1,P GRD,INSLT,LED(Y/G)SN



TE Model / Part #1761987-9
ReceptacleConnAssm38PosTape/Re



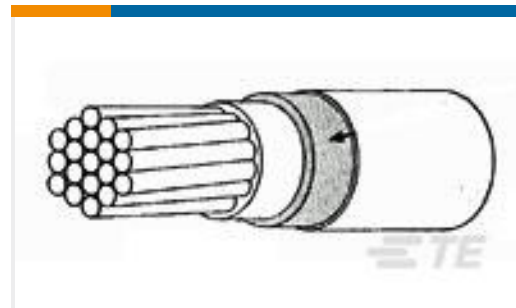
TE Model / Part #3-647406-1
SL156 HOODED CONTACT, LID LF



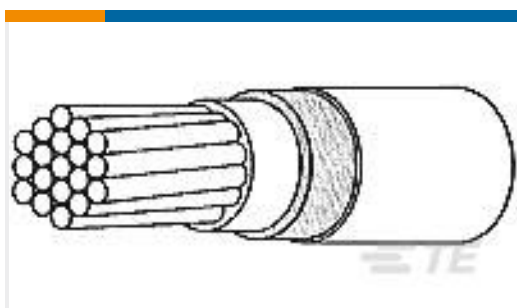
TE Model / Part #1703014-1
ROUND CONNECTOR SYSTEM, PIN AND SOCKET



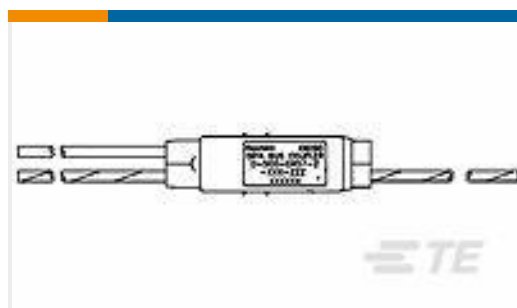
TE Model / Part #1410138-1
MULTIGIG RT T2 .8" DC DF F-LFT



TE Model / Part #289741-000
55FA0511-22-7L



TE Model / Part #263885-000
55FA0514-22-7L



TE Model / Part #942211-000
D-500-0457-2-613-120

Documents

Product Drawings

[55FA0511-18-7L](#)

English

Datasheets & Catalog Pages

[1654025_Sec9_55F](#)

English

[Raychem Wire and Cable Quick Reference Guide](#)

English



Product Specifications

Product Specification

English