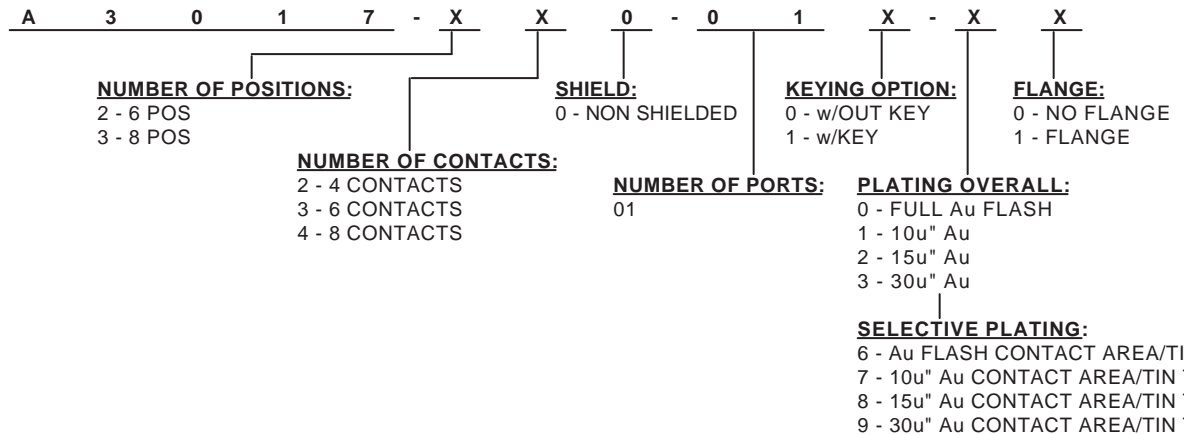


HOW TO ORDER:



ELECTRICAL:

CURRENT RATING: 1.5A
 CONTACT RESISTANCE: < 20m Ω
 INSULATOR RESISTANCE: > 500M Ω
 DIELECTRIC WITHSTANDING VOLTAGE: 1000V AC FOR 1 MIN.
 OPERATING TEMPERATURE: -25° C TO +85° C

MATERIAL:

CONTACT: PHOSPHOR BRONZE
 INSULATOR: GLASS FILLED POLYESTER (UL94V-0)

Rev		Apv.	Date	SMP TECHNOLOGY, INC.
0	Issued	A.M.	10/09/03	
SCALE:n/a				RJ Jack (RJ11, RJ12, RJ45), Non Shielded, Non Closed Bottom, CAT 5e
TOL. DEC.	.X +/- 0.35	.XX +/- 0.25	.XXX +/-0.15	ANGLE +/- UNIT: mm
				P/N: A3017-XX0-01X-XX Pg: 1