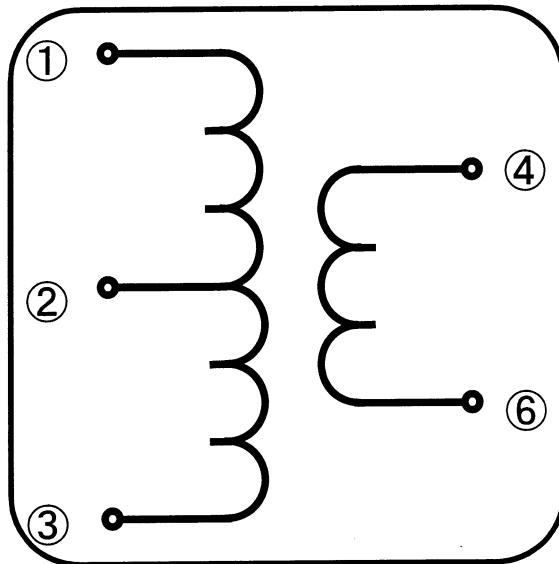


**2012 Size**

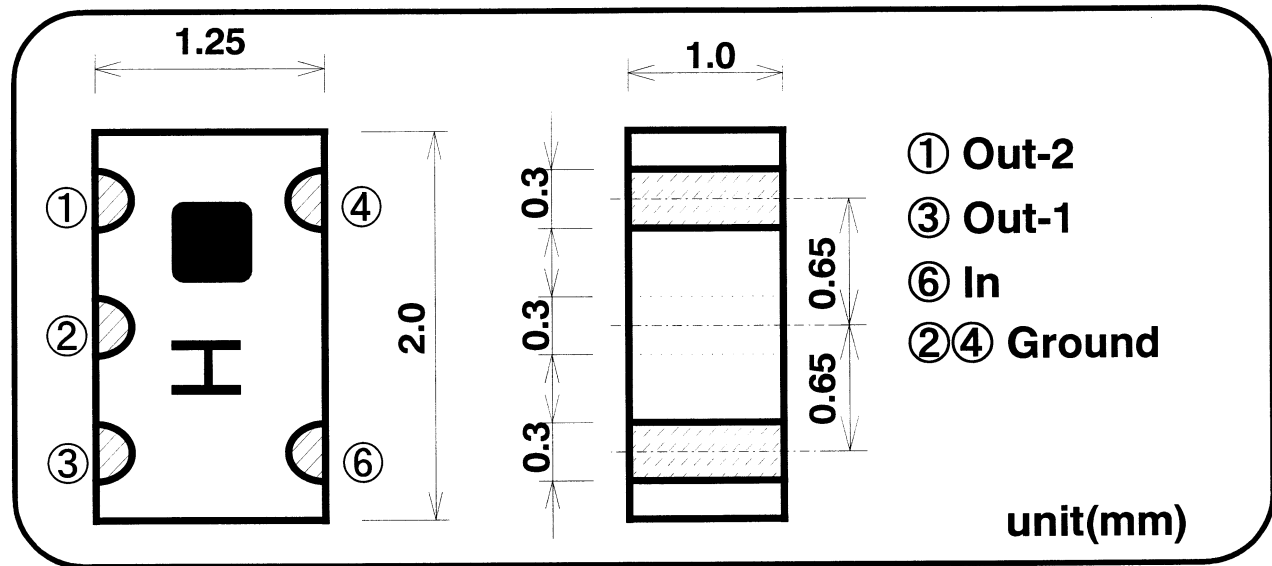
**900MHz Band  
Chip Multilayer RF Transformer**

**SLT—S090H[ ]**

## Equivalent Circuits



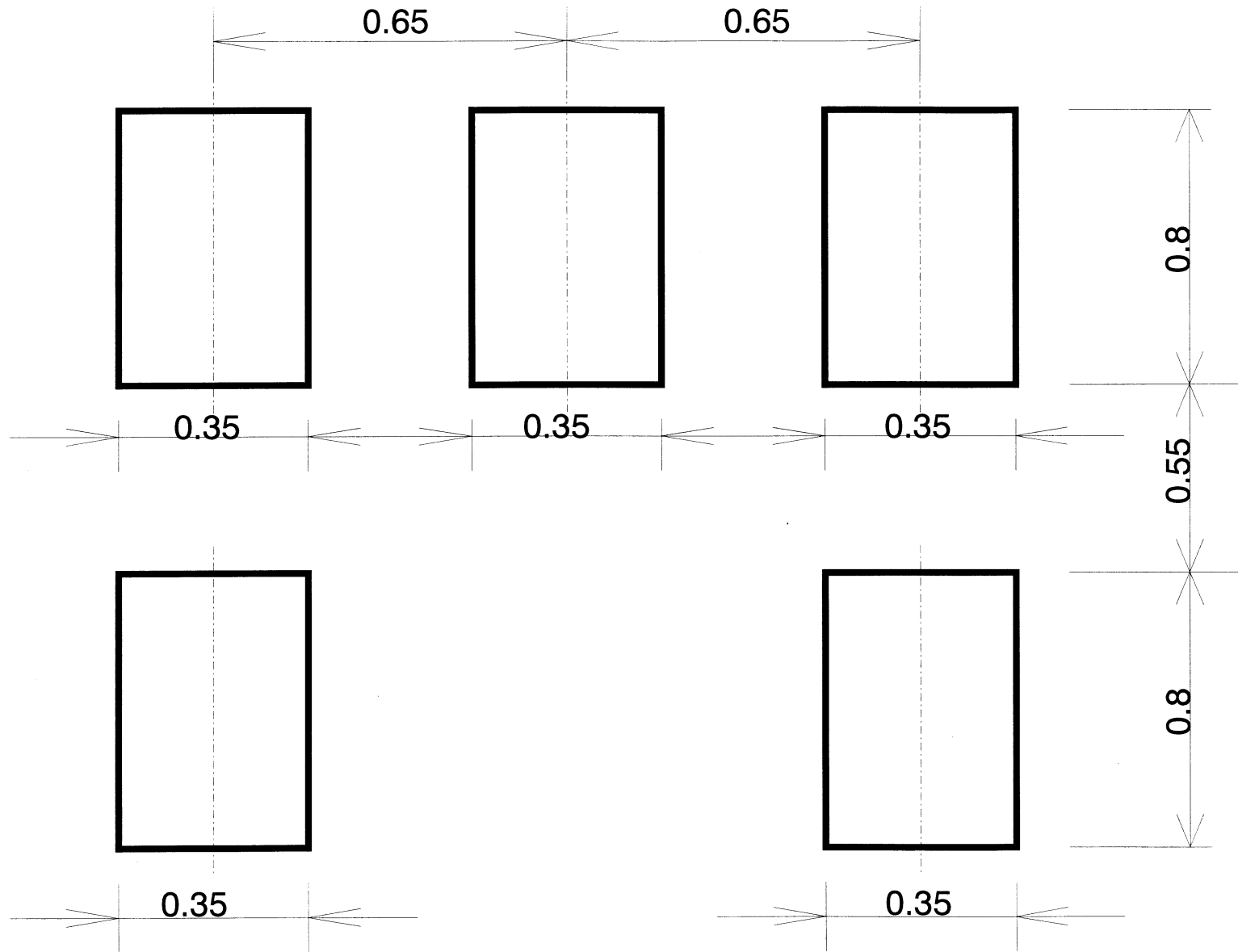
## Shape & Size



## Specifications

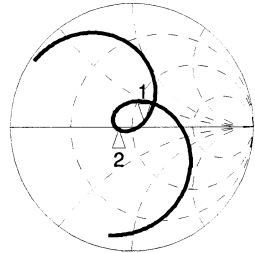
P/N	Impedance	Frequency Range(MHz)	Insertion Loss	Amplitude Balance	Phase Balance	Handling Power	Temperature Range
SLT-S090H4	50:200	880-960	3dB Max. (1.0dB Typ.)	2.0dB Max. (1.0dB Typ.)	180±10deg.	200mW Max.	-35 ~ +85 deg.C
SLT-S090H8	50:400	880-960	4dB Max. (1.5dB Typ.)	2.0dB Max. (1.0dB Typ.)	180±10deg.	200mW Max.	-35 ~ +85 deg.C

# FOOT PATTERN



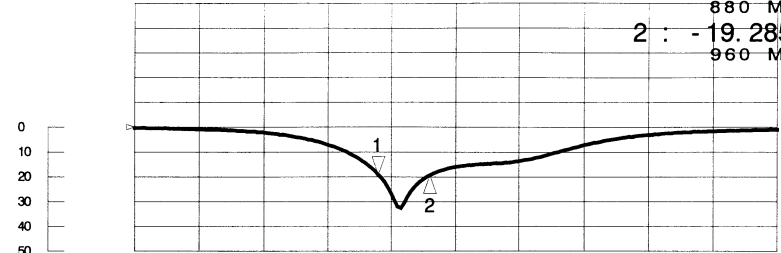
# SLT-S090H4 Sample Data

CH1 S11 1 U FS 1 : 61.105f $\uparrow$  5.252f $\uparrow$  949.86 p $\uparrow$ H  
 880 MHz  
 2 : 40.314 f $\uparrow$   
 -1.6563f $\uparrow$   
 960 MHz



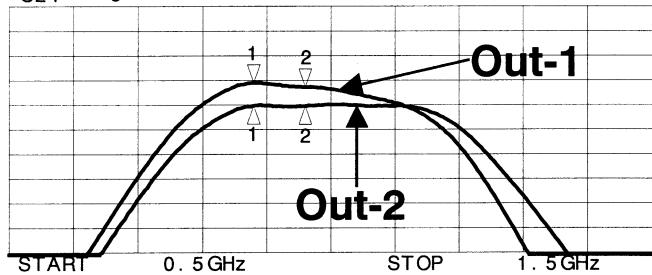
CH1 S11 log MAG 10 dB/ REF 0 dB 1 : -19.111 dB  
 880 MHz  
 2 : -19.285 dB  
 960 MHz

Return Loss [dB]



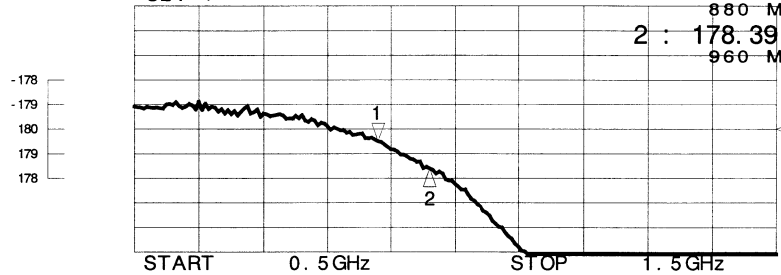
CH2 S21 log MAG 1 dB/ REF -6 dB

Insertion Loss [dB]



CH2 S21 phase 1 </ REF -180 < 1 : 179.51 <  
 880 MHz  
 2 : 178.39 <  
 960 MHz

Phase Balance



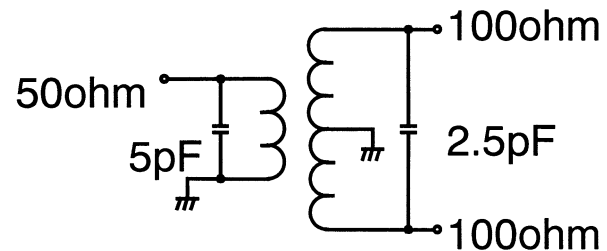
## Out-1

1 : -6.1041 dB  
 880 MHz  
 2 : -6.2648 dB  
 960 MHz

## Out-2

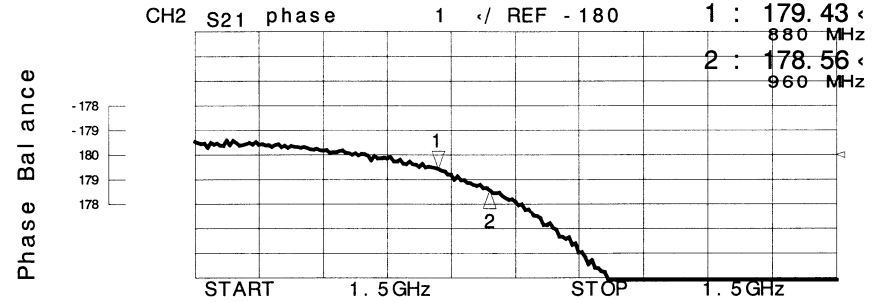
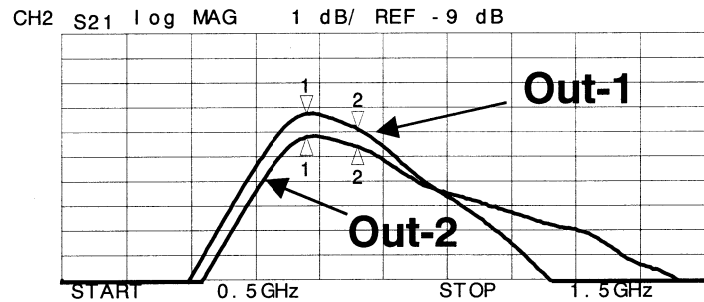
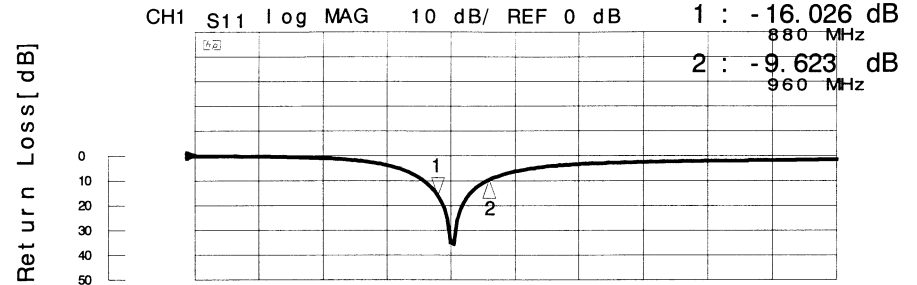
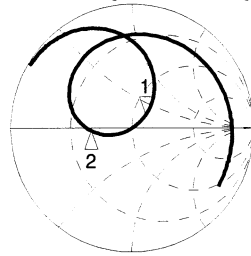
1 : -7.032 dB  
 880 MHz  
 2 : -7.0377 dB  
 960 MHz

900MHz Band  
 Chip Multilayer RF Transformer "SLT-S090H4"



# SLT-S090H8 Sample Data

CH1 S11 1 U FS 1 : 61.408f $\Gamma$  13.471f $\Gamma$  2.4363 nH  
 880 MHz  
 2 : 25.145 f $\Gamma$  -1.3047f $\Gamma$   
 960 MHz



## Out-1

1 : -9.2543 dB  
 880 MHz  
 2 : -9.8895 dB  
 960 MHz

## Out-2

1 : -10.199 dB  
 880 MHz  
 2 : -10.595 dB  
 960 MHz

900MHz Band  
 Chip Multilayer RF Transformer "SLT-S090H8"

