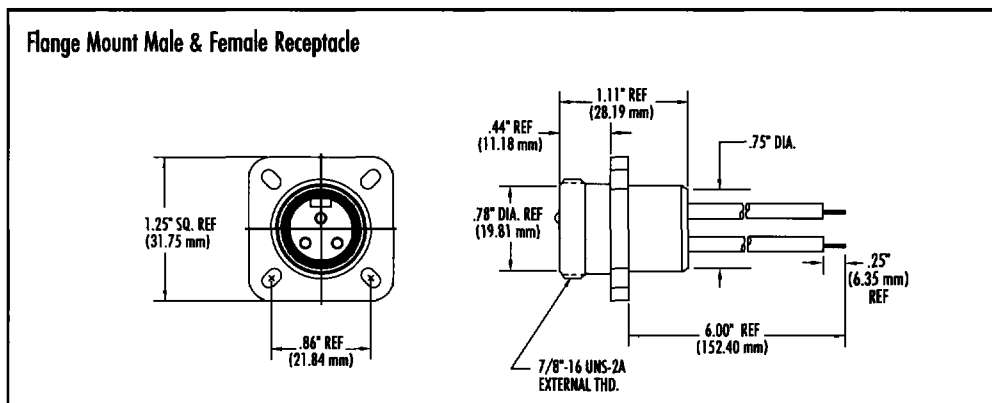
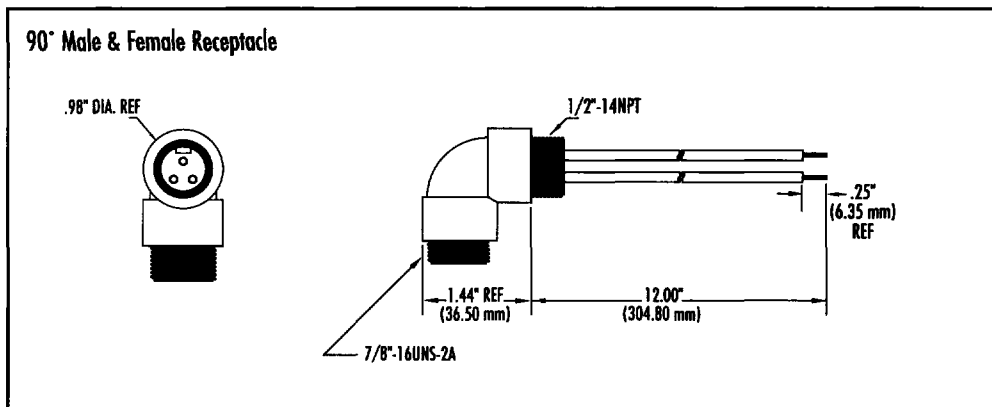
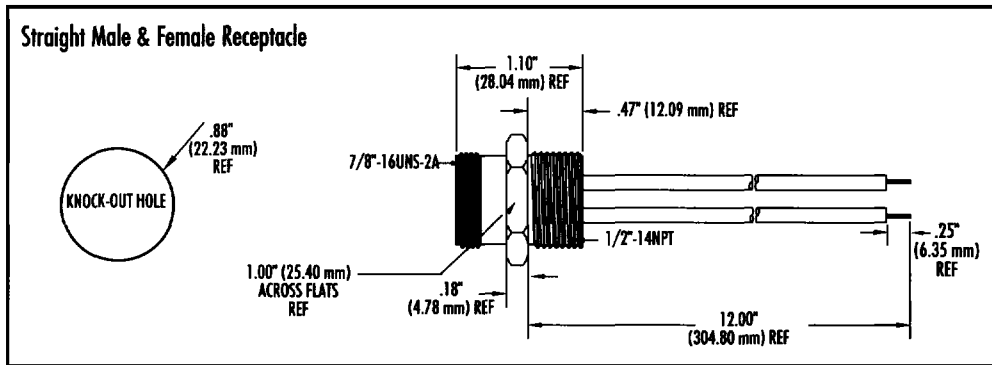


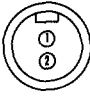
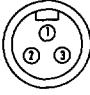
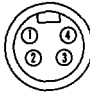


Mini-Change[®] 2-6 Pole Receptacles and Non-Metallic Receptacles

Product Specifications

MECHANICAL INSERT MATERIAL: PVC SHELL MATERIAL: ANODIZED ALUMINUM (NON-METALLIC-NYLON 6) ALSO AVAILABLE IN STAINLESS STEEL CONTACT MATERIAL: BRASS CONTACT PLATING: GOLD - 5 μ IN. (MIN) PALLADIUM/NICKEL - 20 μ IN. (MIN) WIRE TYPE(S): 16 AWG WITH PVC INSULATED WIRE STRANDING: 65 X #34	ELECTRICAL VOLTAGE RATING: 600VAC/600VDC CONTACT RESISTANCE: $\leq 5m\Omega$ (AFTER 100 MATE/UNMATE CYCLES - PER MIL STD. 1344, 3004.1) ISOLATION RESISTANCE: $\geq 1000M\Omega$	ENVIRONMENTAL PROTECTION: IP 68 NEMA 6P - PER NEMA STD. 250 AMBIENT OPERATING TEMP: -20° TO +105°C HIGH PRESSURE WATER SPRAY: 1000 PSI CERTIFICATIONS UL: UL RECOGNIZED, FILE NO. E46237 CSA: CSA CERTIFIED, FILE NO. LR6837 VDE: SPACINGS TO VDE 0110 GROUP C (250VAC/300VDC)
--	--	---



Mini-Change[®] 2-6 Pole Receptacles and Non-Metallic Receptacles

POLES	FACE VIEW MALE	WIRING CODE	CURRENT RATING @ 600V	RECEPTACLES WITH 12" PIGTAIL LEADS				FLANGE MOUNT RECEPTACLES		NON-METALLIC RECEPTACLES	
				MALE STRAIGHT	MALE 90°	FEMALE STRAIGHT	FEMALE 90°	MALE	FEMALE	MALE STRAIGHT	FEMALE STRAIGHT
2		1-WHITE 2-BLACK	13A	40705	40706	40701	40702	40865	40863	40705N	40701N
3		1-GREEN 2-BLACK 3-WHITE	13A	40909	40908	40910	40911	61090	61060	40909N	40910N
4		1-BLACK 2-WHITE 3-RED 4-GREEN	10A	41103	41101	41104	41105	41254	61242	41103N	41104N
5		1-WHITE 2-RED 3-GREEN 4-ORANGE 5-BLACK	8A	41310	41311	41313	41314	41537	61557	41310N	41313N
6		1-WHITE 2-RED 3-GREEN 4-ORANGE 5-BLACK 6-BLUE	8A	41605	41604	41607	41606	41751	41739	41605N	41607N

PRODUCT OPTIONS

1. For Stainless Steel Shell: add "SS" to catalog number. e.g. 40910 becomes 40910SS.