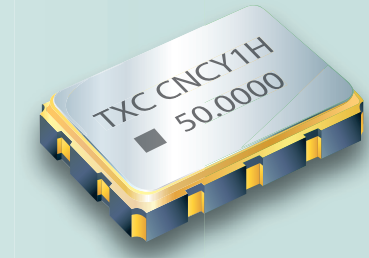


# SMD LVDS VCXO - Differential Output 5.0 x 3.2 x 1.2 mm CN Series

Oscillators  
 Series

## Features

- Voltage Controlled Crystal Oscillator (VCXO).
- Fundamental solution.
- LVDS output, output frequencies 50 MHz to 200 MHz.
- Wide pull range and good linearity.
- Low phase noise, low jitter.
- Tri-State function available.
- Applications : SDH / SONET, Ethernet, Base Stations.
- RoHS Compliant / Pb Free.

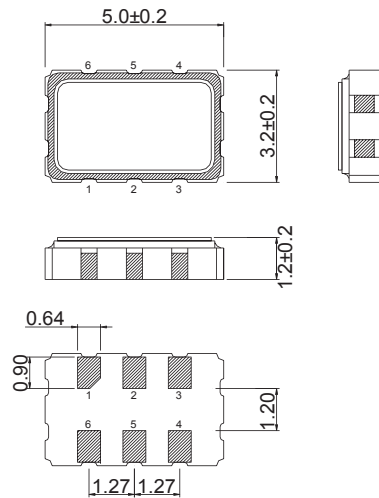


## Electrical Specifications

Item / Type	CN
Output Type	LVDS
Output Load	100 Ω
Oscillation Mode	Fundamental
Supply Voltage (VDD)	3.3 V
Frequency Range	50 ~ 200 MHz
Operating Temperature Range	- 10 ~ + 70 °C , - 40 ~ + 85 °C , or specify
Storage Temperature Range	- 55 ~ + 125 °C
Voltage Vol(Min.) / Voh(Max.)	0.9 V / 1.6 V
Rise ( Tr ) / Fall ( Tf ) Time ( 20 % ~ 80 % )	1 nS Max.
Supply Current	80 mA
Symmetry	45 ~ 55 %
Start-up Time	10 mS Max.
Absolute Pulling Range ( APR ) *	± 50 ppm Min. , or specify
Nominal Control Voltage	0.5 VDD
Control Voltage Range	0 ~ VDD
Linearity	10 % Max.
Phase Jitter ( 12 KHz ~ 20 MHz )	1 pS Max.

\* APR=(Pull Range) - (Frequency tolerance at 25 °C, variation over temperature, supply voltage variation, and aging.)

## Dimensions

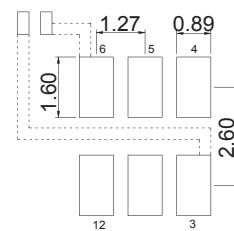


※ Pad dimension tolerance ±0.2 mm

### Pin Function:

1. Enable Control or NC
2. Enable Control or NC
3. GND
4. OUT
5. OUTN
6. VDD

### Land Pattern:



- ※ Power Supply Decoupling Capacitor is Required.
- ※ Pad dimension tolerance ±0.2 mm

Units: mm

Remark : Specification subject to change without prior notice. Please confirm with our sales. <http://www.txccorp.com>