

# Micro Miniature Coaxial Switches



RLC Electronics Micro Miniature Coaxial Switch is a single pole two position type. The switch incorporates SMP connectors to allow high density packaging and excellent electrical

performance through 26 GHz also available with pin configuration. The switch is available in failsafe and latching configurations with a choice of three different resistance ranges and three different coil voltages.

## Specifications

SR-2 min-min-D-1-D

Switch Type	Single Pole Two Position			
Frequency (GHz)	0-8	8-18	18-26	26-30
Insertion Loss (dB @ 10 GHz)	0.2	0.2	0.2	0.8
Return Loss (dB @ 10 GHz)	1.0	1.0	1.0	1.8
Isolation (dB @ 10 GHz)	20	20	20	20

**Power Rating** Cold Switching See catalog

**Impedance** 50 ohms

**Operating Power** 100 mW (mA nominal) 100 mW dc at 100 mW

2 W dc at 100 mW and 2 W dc at 100 mW

**Connectors** SMP male full detent

**Power Connections** 0.010 dia pins

**Life** 100,000,000 operations

**Switching Time** 100 milliseconds max

**Eight** 0.010

**Environmental Conditions** M-S-20

**Operating Mode** failsafe or latching

**Switching Sequence** break before make

to designate the switch desired use

2 for 20 or 20 volt coil

26 for 26 or DC-26

NC for failsafe figure 1

D for 24-20 volt coil

26 for DC-26

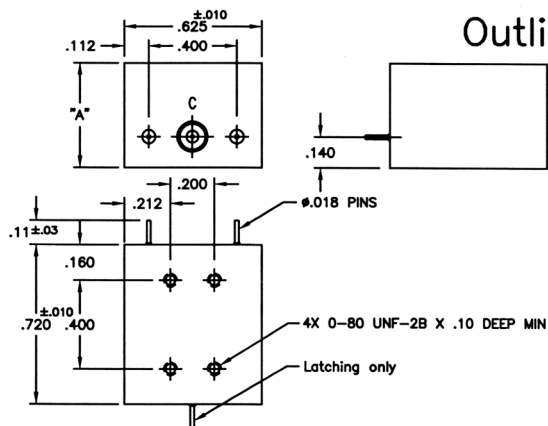
NO for failsafe figure 2

D for 24-20 volt coil

26 for DC-26

NO for latching

Example SR-2 min-min-D-26 is SPDT 24-20 dc DC 26 100 100 latching Switch



### Outline

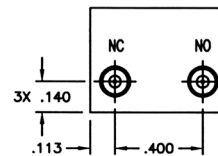


Figure 1

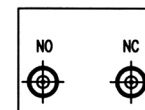


Figure 2

SWITCH TYPE	"A"
Failsafe	.48
Latching	.63

Specials requiring closer tolerances, different resistance ranges, special connectors, different materials, finishes, etc can be furnished upon request.

Micro Miniature Coaxial Switches

83 Radio Circle, Mount Kisco, New York 10549 Telephone 914-241-1334 Fax 914-241-1753  
e-mail: sales@rlcelectronics.com

