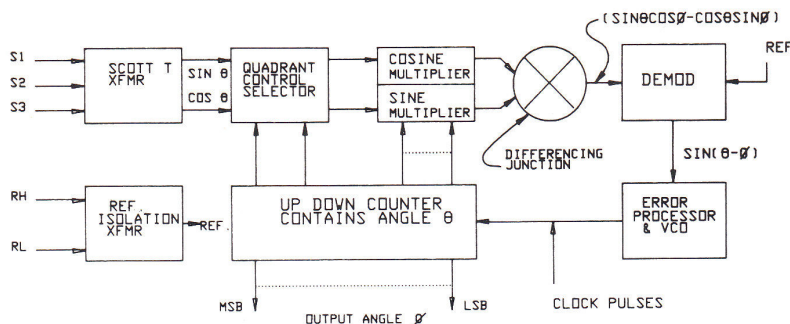
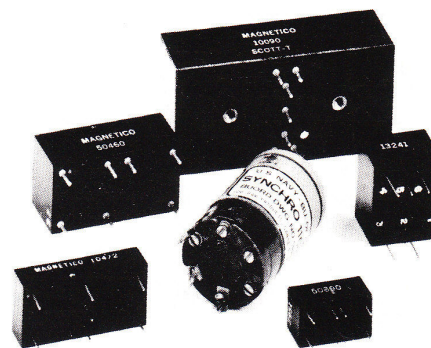
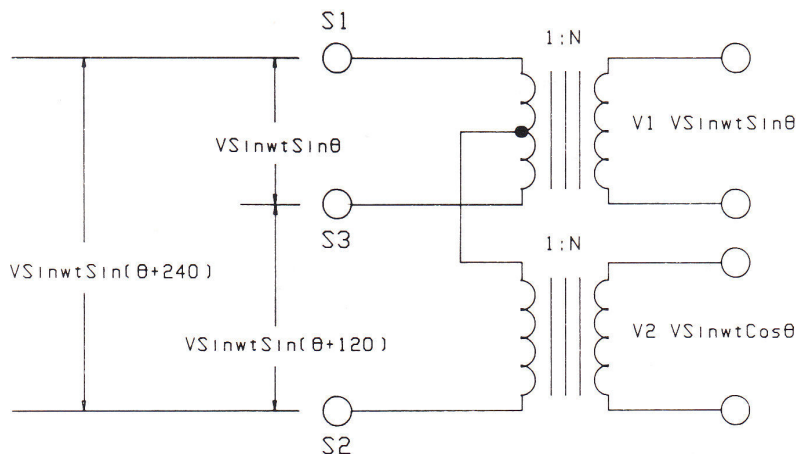


INPUT SCOTT T SYNCHRO TO RESOLVER CONVERTER TRANSFORMERS



Three-wire Synchro Angle Data form the input to a Scott T transformer which isolates them from converter ground and translates them into two signals—the amplitudes being proportionate to the sine θ and cos θ .

SYNCHRO-DIGITAL CONVERTER



SCOTT CONNECTED TRANSFORMER PAIR. SYNCHRO TO RESOLVER

PART NO.	INPUT VRMS L-L	OUTPUT SIN & COS	INPUT Z KΩ	TYPICAL LOAD KΩ	ACCURACY WORST CASE	SIZE INCHES WIDTHxLENGTHxHT.
MG1353000	11.8	1	40	10	1 min.	5/8 x 1 1/4 x .33
MG5291000	11.8	1	10	100	4 min.	.54 x 7/8 x .34
MG5297500	11.8	1	20	100	4 min.	1/2 x 7/8 x 7/16
MG1305100	11.8	2 vct	14	500	1 min.	1 3/8 x 2 1/8 x .30
MG1438400	11.8	2	10	10	2 min.	1 x 2 x 5/8
MG1464500	6.36 1800Hz	2	5	100	2 min.	1 1/8 x 2 1/4 x .40
MG5229000	11.8	3.2	20	4	3 min.	1/2 x 7/8 x 7/16
MG1393600	11.8	3	8	100	2 1/2 min.	.65 x 1 1/8 x .42
MG5073900	11.8	3	10	100	2 min.	1 3/16 x 1 1/2 x 5/8
MG5074000	11.8	3 vct	10	100	2 min.	1 3/16 x 1 1/2 x 5/8
MG1324100	11.8	5	30	50	45 sec.	.85 x .85 x 5/8
MG 965200	11.8	5	50	20	30 sec.	1 3/8 x 2 3/4 x 7/8
MG1308400	11.8	6 vct.	50	100	1 min.	3/4 x 1 1/2 x .35
MG1393500	11.8	6 v	50	100	1 min.	.78 x 1 9/16 x 3/8
MG1047200	11.8	6	8	10	5 min.	3/4 x 1 1/2 x 3/8
MG5089000	11.8	6	20	100	2 min.	1/2 x 7/8 x 7/16
MG5341000	11.8	6	10	100	5 min.	1/2 x 7/8 x .45
MG5321000	11.8	6.8	50	20	4 min.	3/4 x 1 1/4 x 1/2

MCNOLITHIC CONVERTERS - ANALOG DEVICES 2S80

INPUT SCOTT Ts AND REF. TRANSFORMERS

The following listed part nos. are specially designed to interface with analog devices 2S80 converter. Further designs will be added in the future. Designed to meet all requirements of MIL-T-27, type designation TF5S21ZZ, and MIL-STD-202 test methods for electronic and electrical component parts.

INPUT SCOTT T

PART NO.	INPUT VRMS L-L	OUTPUT SIN & COS	INPUT Z KΩ	LOAD KΩ	TRANS. ACC.	SIZE INCHES WIDTHxLENGTHxHT.
53673	90v 60Hz	2	80	1000	2 min.	1 1/2 x 2 1/4 x 15/16
53681	90v 400Hz	2	50	1000	2 min.	1 1/8 x 1 5/8 x 1/2
53683	11.8v 400Hz	2	5	1000	2 min.	1 1/8 x 1 5/8 x 1/2
12780	11.8v 400Hz	1.75	8	1000	1 min.	3/4 x 1 1/2 x 3/8

REF. TRANSFORMER

PART NO.	INPUT VRMS	OUTPUT VRMS	INPUT KΩ	LOAD KΩ	TRANS. ACC. %	SIZE INCHES WIDTHxLENGTHxHT.
53672	115v 60Hz	2	80	1000	.1	1 1/8 x 1 7/16 x 15/16
53682	115v 400Hz	2	50	1000	.1	1 1/8 x 1 1/8 x 1/2
53684	26v 400Hz	2	8	1000	.1	1 1/8 x 1 1/8 x 1/2

TO ORDER A CUSTOM DESIGN, PLEASE SPECIFY:

- | | |
|--------------------------------|--------------------------|
| 1. Input Voltage | 7. Phase Shift |
| 2. Output Voltage (Tol.) | 8. Operating Temp. Range |
| 3. Frequency | 9. Max. Ambient Temp. |
| 4. Minimum Input Impedance | 10. Size Limitations |
| 5. Output Impedance (Reactive) | 11. Type of Termination |
| 6. Angular Accuracy | |