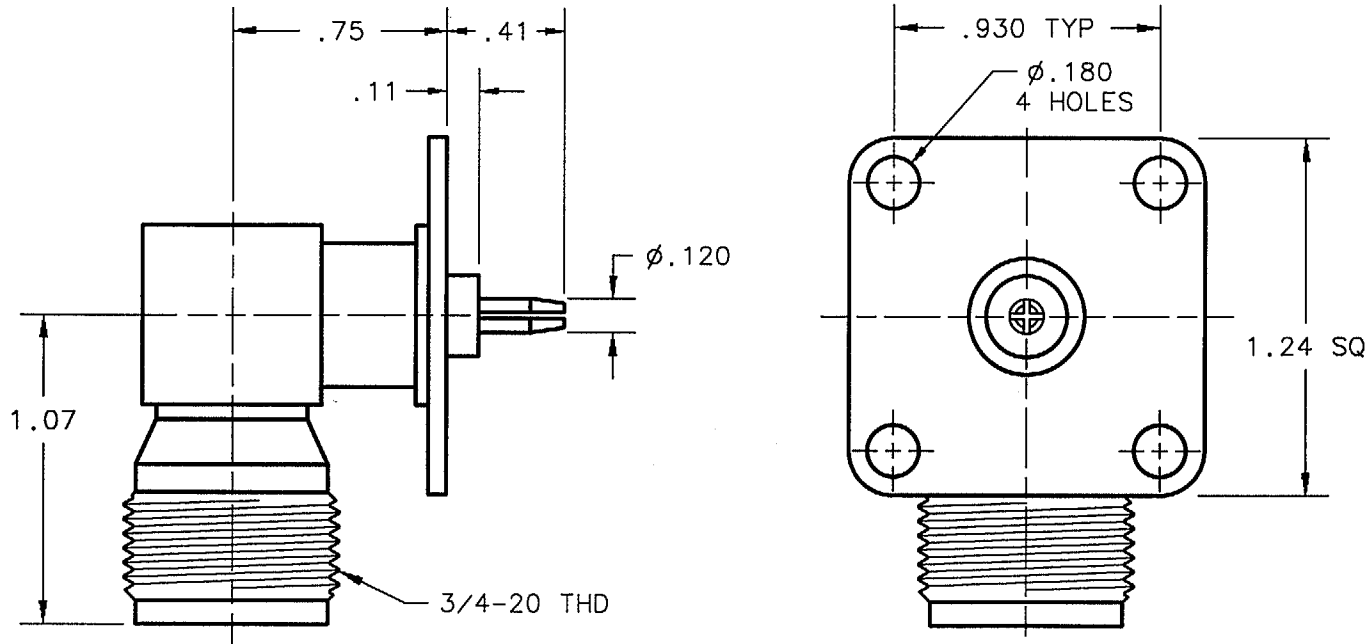


THIS DOCUMENT AND INFORMATION CONTAINED HEREIN ARE THE PROPERTY OF TRU-CONNECTOR CORP. REPRODUCTION OR USE THEREOF, IN WHOLE OR PART, IS PROHIBITED WITHOUT THE WRITTEN CONSENT OF TRU-CONNECTOR CORPORATION.

DWG. NO

TRU-8413-SNT



MATERIAL

INSULATORS - TEFLON  
 CONTACTS - BERYLLIUM COPPER  
 OTHER METAL PARTS - BRASS

FINISH

CONTACTS - SILVER PLATED  
 OTHER METAL PARTS - NICKEL PLATED



CAGE-92180

TRU-CONNECTOR CORPORATION

245 LYNNFIELD STREET  
 PEABODY, MASSACHUSETTS 01960  
 phone: 978-532-0775  
 fax: 978-531-6993  
 E-mail: trusales@tru-con.com

DESCRIPTION

CONNECTOR, COAXIAL, RF  
 SERIES: HN(f) to QC(m)  
 ADAPTER, RIGHT ANGLE

DRAWN BY WWW	DATE 3-30-99	SCALE 1.5X	CHKD. BY <i>Koch</i>	FILE AS TRU-8413-SNT
-----------------	-----------------	---------------	-------------------------	-------------------------

REFERENCE	THIRD ANGLE PROJECTION	DWG. NO. TRU-8413-SNT
-----------	------------------------	--------------------------